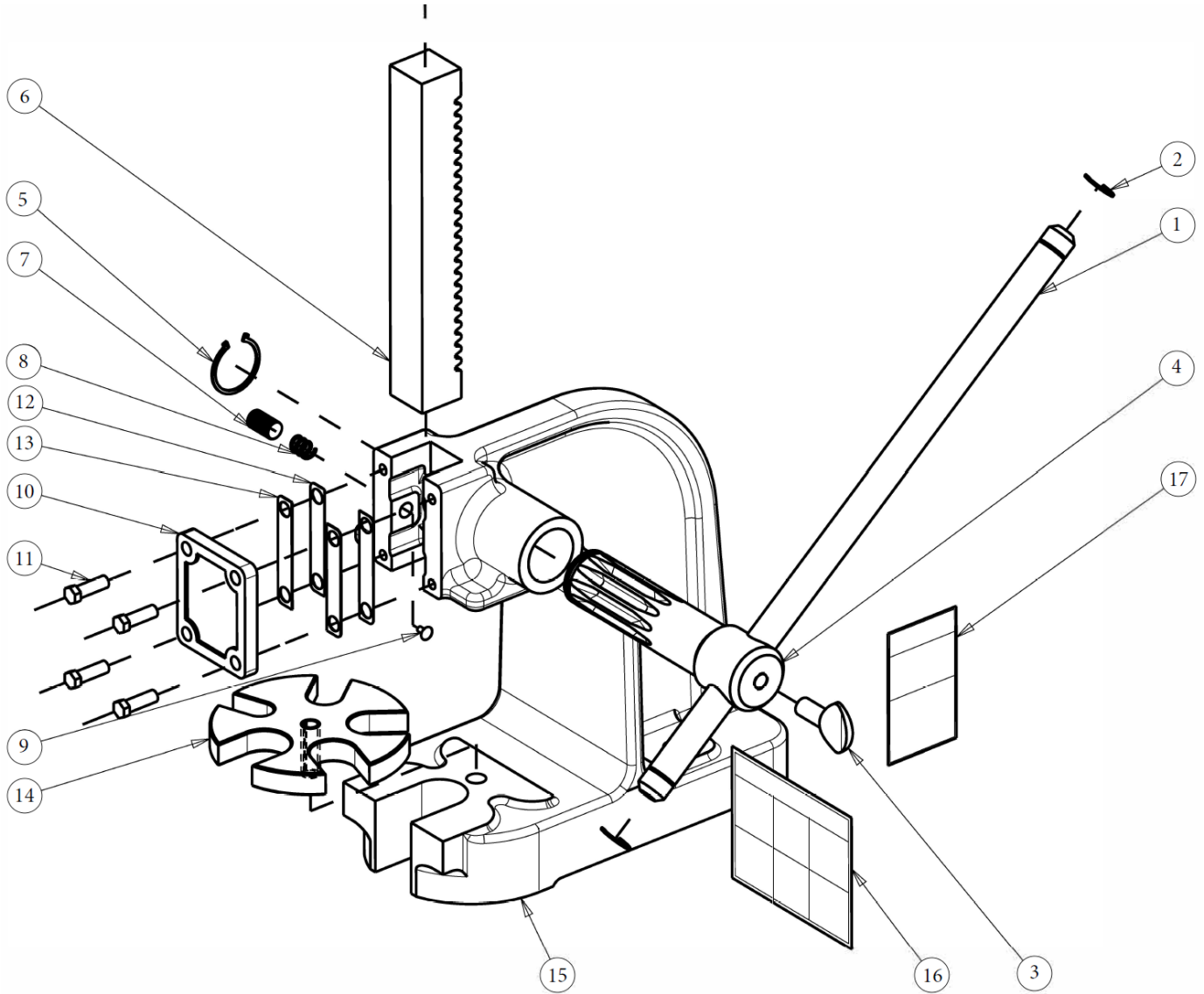


**EXPLODED PARTS VIEW**



**PARTS LIST**

<u>Item</u>	<u>Part Name</u>	<u>Part Number</u>	<u>Qty</u>
1	Handle	110	1
2	Retaining Ring (National lock washer number XRC-327)	43965	2
3	3/8"-16 x 3/4" Thumb Screw	43622	1
4	Spindle	111	1
5	Retaining Ring	67424	1
6	Ram	109	1



Dake Corporation  
1809 Industrial Park Dr  
Grand Haven, MI 49417  
[www.dakecorp.com](http://www.dakecorp.com)

7	3/8"-16 x 5/8" Headless Set Screw	43589	1
8	Brake Spring	108	1
9	Tinners Rivet	43577	1
10	Ram Cap	103	1
11	1/4"-20 x 3/4" Hex Cap Screw	43304	4
12	Ram Cap Shim (.008")	106	2
13	Ram Cap Shim (.015")	107	2
14	Table Plate Assembly	700792	1
15	Frame	102	1
16	Warning Label - Ganged	300168	1
17	Warning Label - Tipping	79979	1

***Please contact factory for current prices.***

## **ORDERING INFORMATION**

Parts are available for direct purchase from Dake or through a distributor. When placing a parts order, you will need to provide the part number, name of part, and model number. All parts shipped F.O.B. Factory in Grand Haven, MI.