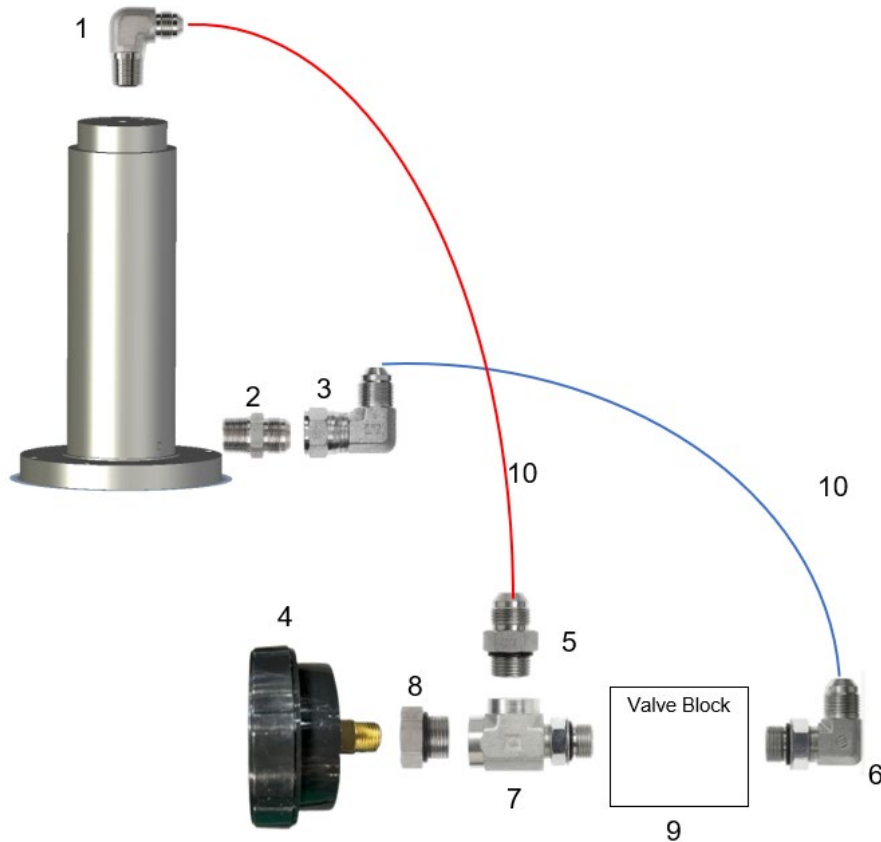


HYDRAULIC LINES AND FITTINGS – 2022 and later

If press was manufactured year **2022 or later (Serial No. > WOD-7942)**, power unit, valve, hose, and fittings will be of new configuration. Valve control handle left to right configuration. See below for updated components breakdown.

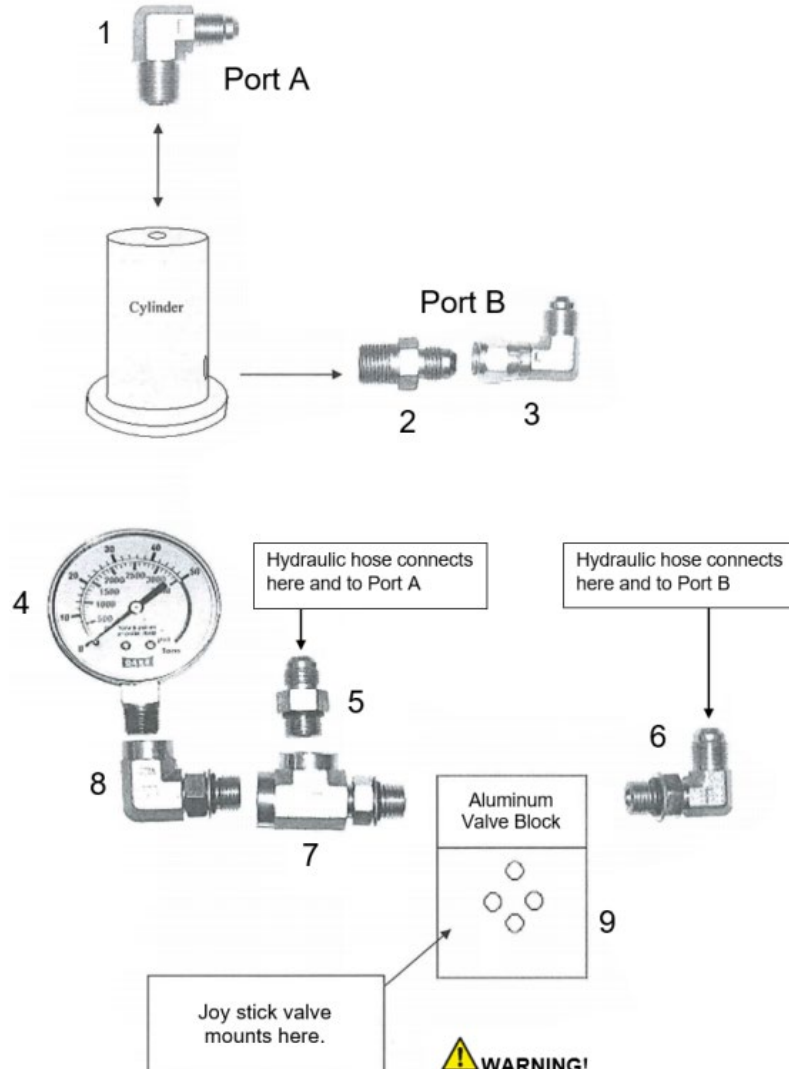


Item	Description	Part No.	Qty
1	Tube Fitting, Elbow (3/8 x 3/8 NPTF)	72050	1
2	Tube Fitting, Straight (3/8 x 3/8 NPTF)	73425	1
3	Swivel Nut Elbow (3/8)	72047	1
4	Gauge	302939	1
5	Tube Fitting, Straight (SAE 6)	69671	1
6	Tube Fitting, Elbow (SAE 3 Male x 1/4 NPT Female)	302061	1
7	Branch Tee	302183	1
8	Adapter (3/8" SAE Male x 1/4 NPT Female)	303124	1
9	Manifold	303946	1
10	Hose (1/4 x 54" long)	303948	2
KIT	Hose & Fittings Kit Items 1-3,5-8,10 (x2) Gauge sold separately. Valve & Manifold on power unit assembly 303898PU.	303898KIT	-

HYDRAULIC LINES AND FITTINGS – 2022 and prior

For presses made year **2022 and prior (Serial No. < WOD-7942).**

Valve control handle up & down configuration. Refer to component breakdown below



⚠ WARNING!
Be sure all fittings and bolts are tight.
Do not over tighten fittings or bolts.

Item	Description	Part No.	Qty
1	Tube Fitting, Elbow (3/8 x 3/8 NPTF)	72050	1
2	Tube Fitting, Straight (3/8 x 3/8 NPTF)	73425	1
3	Swivel Nut Elbow (3/8)	72047	1
4	Gauge	302939	1
5	Tube Fitting, Straight (SAE 6)	69671	1
6	Tube Fitting, Elbow (SAE 6-6)	72402	1
7	Branch Tee	302183	1
8	Tube Fitting, Elbow (SAE 3 Male x 1/4 NPT Female)	302061	1
9	Manifold	302224	1
-	Hose (3/8 x 54" long)	302201	2
KIT	Hose/Fitting & Valve Kit (Items 1-9 & hoses x2)	301856KIT	-

ELECTRIC SCHEMATIC

MACH'G. TOLERANCE UNLESS SPECIFIED		DATE	SYM.	CHANGES	BY
FRACTIONAL: ±.010 DECIMAL: ±.002 ANGLE: ±1/2°	BREAK EDGES REMOVE BURRS	10/01/08	A	SW. LAYOUT REV. & NOTES ADDED	HDD
				SWAPPED T5 & T8 AND CCW & CW - PER B. PAGE	SK
UNDERScoreD DIMENSIONS NOT TO SCALE					

87175

MOTOR LEADS

LOW VOLTAGE

T1 T3 T5 T2 T4 T8

L1 L2

MOTOR LEADS

HIGH VOLTAGE

T1 T2 T3 T5 T4 T8

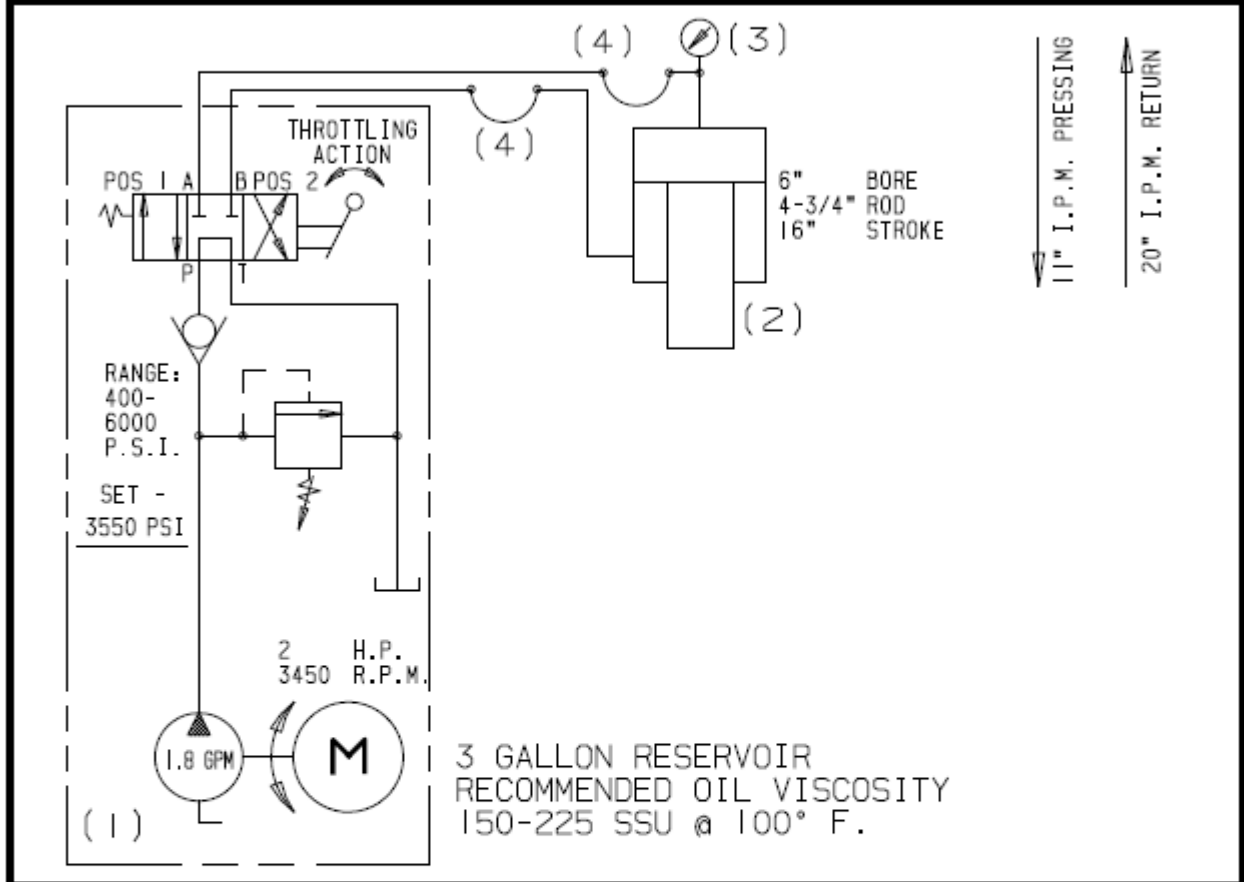
L1 L2

CW ROTATION FACING LEAD END AS SHOWN,
INTERCHANGE LEADS T5 & T8 FOR CCW.

DAKE		ELECTRICAL CONTROL / WIRING			
GRAND HAVEN, MICH.		MAT'L.	STOCK NO.	USED ON	
SCALE: NA				909250	
DR. HDD	TR.	DESIGNED BY	PATT. NO.	FILE NO.	DRW. NO.
CH.	AP.	APPROVED BY			87175
DATE: 1/23/08 11:02A					

HYDRAULIC SCHEMATIC

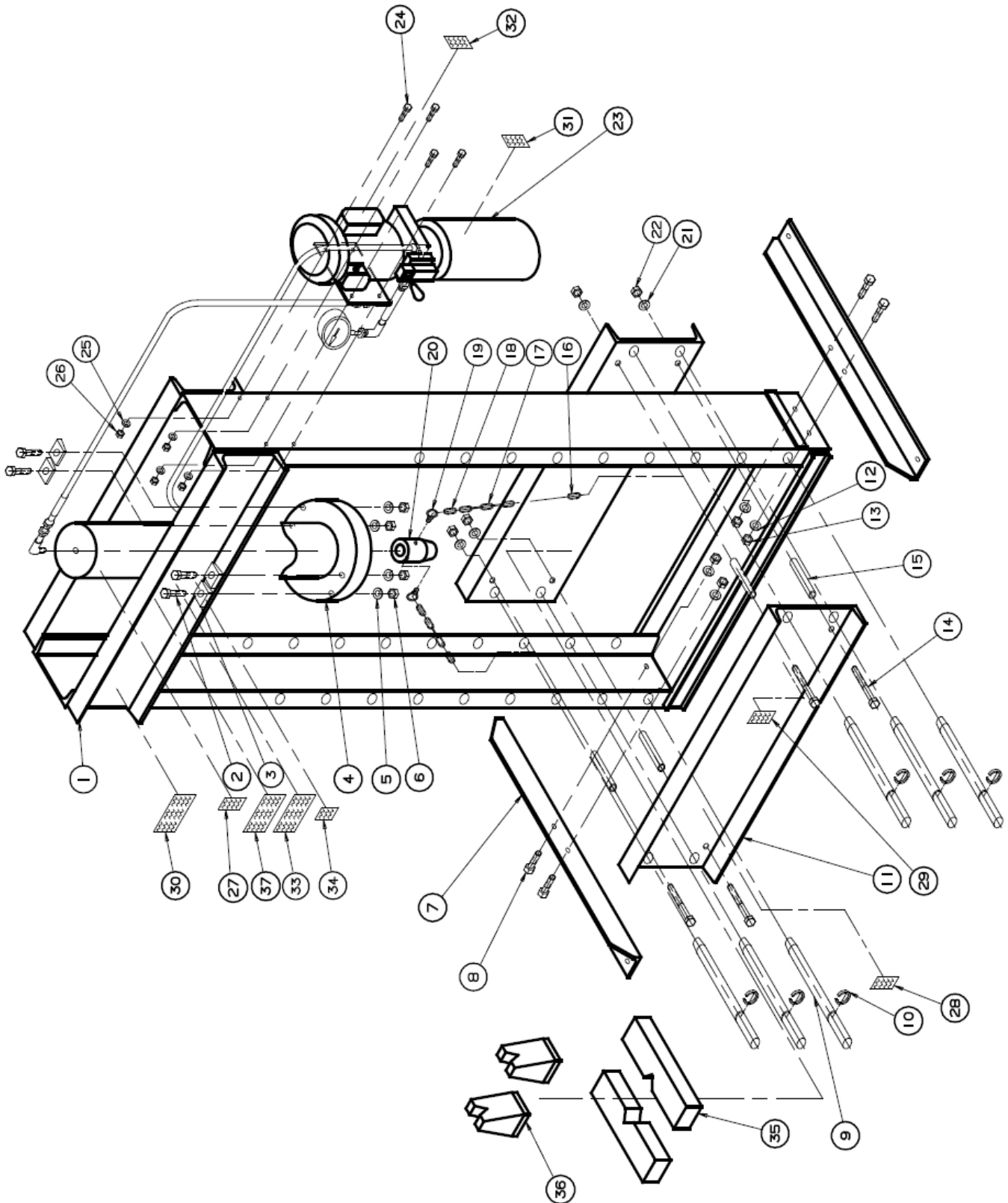
SEQUENCE OF OPERATION	
IDLE	- HANDLE NEUTRAL, PRESSURE IN CYLINDER LOCKS.
PRESSING	- HANDLE POS. #1, CLOSE AND/OR THROTTLE FOR RAM MOVEMENT AND/OR PRESSURE.
RETURN	- HANDLE POS. #2, OPEN AND/OR THROTTLE FOR RAM MOVEMENT AND/OR DECOMPRESSION.



ITEM	QUAN.	DESCRIPTION	MODEL NO.	MAKE
4	2	HOSE		DAKE
3	1	GAUGE - 50 TON	302939	DAKE
2	1	WORKHEAD - 50 TON	716547	DAKE
1	1	POWER UNIT		DAKE

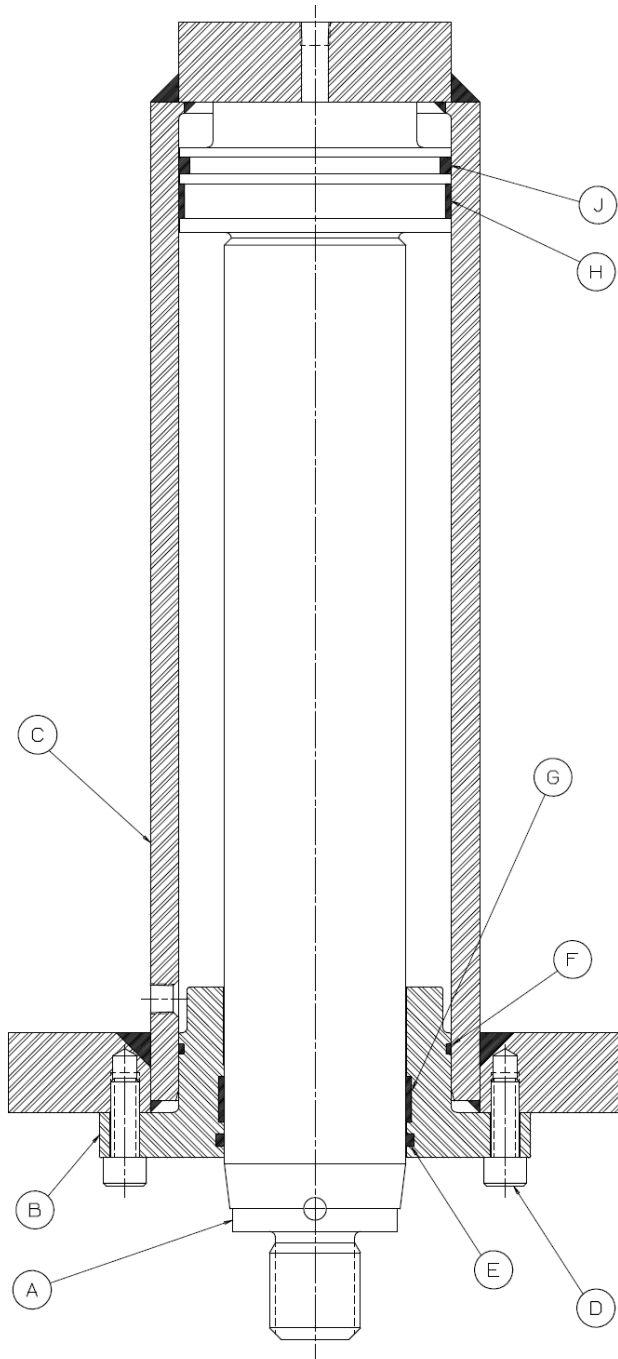
COMPONENT LIST				
 GRAND HAVEN, MICHIGAN DRAWN: S K SCALE: NONE DATE: 11/14/08		HYDRAULIC DIAGRAM MAT'L. STOCK NO. PATT. NO. FILE NO.		
		SIZE	USED ON	
		A	9-250	
			DRW. NO.	
			87211	
THIS DRAWING AND THE INFORMATION HEREON IS THE PROPERTY OF DAKE AND MUST NOT BE TRANSFERRED TO ANY THIRD PARTY OR BE USED FOR THE MANUFACTURE, PURCHASE OR SALE OF ITEMS WITHOUT WRITTEN CONSENT OF DAKE				

EXPLODED VIEWS & PARTS LISTS



Item	Description	Part No.	Qty
1	Frame	706943	1
2	Hex Cap Screw (1/2"-13 x 1/4")	43356	4
3	Channel Washer	43657	4
4	Workhead Assembly	716547	1
5	Lock Washer 1/2"	43647	4
6	Hex Nut 1/2"-13	43916	4
7	Base Angle	566	2
8	Hex Cap Screw 1/2"-13 x 1"	43349	4
9	Table Pin	569	6
10	Retaining Ring	43980	6
11	Table Channel	706945	2
12	Lock Washer 1/2"	43647	4
13	Hex Nut 1/2"-13	43916	4
14	Bolt 5/8"-11 x 10-1/2	79983	4
15	Table Spacer	86488	4
16	Shackle	301884	2
17	Chain	301881	2
18	Spring Snap	301882	4
19	Eye Bolt	301880	2
20	Nose Piece	87138	1
21	Lock Washer 5/8"	43648	4
22	Hex Nut 5/8"-11	43917	4
23	Hydraulic Power Unit (Serial No. < WOD-7942, prior to 2022)	301856PU	-
23	Hydraulic Power Unit (2022) Includes valve & manifold. (Serial No. > WOD-7942, 2022 and after)	303898PU	1
24	Hex Cap Screw 5/16"-18 x 1"	43315	4
25	Lock Washer 5/16"	43644	4
26	Hex Nut 5/16"-18	43911	4
28	Pin Warning Label	84487	1
29	Pin Holes Warning Label	84399	1
30	Ganged Warning Label	300168	1
31	Lockout Procedure Label	76462	1
32	Voltage Warning Label	84395	1
34	Label – Made in USA	76936	1
35	Table Plate	702	2
36	V-Block (Not Included/Optional)	336	2
37	Dake Name Plate	81003	1
-	Hose Kit/Valve Kit (Serial No. < WOD-7942, prior to 2022)	301856KIT	-
-	Hose Kit/Fittings Kit (Serial No. > WOD-7942, 2022 & after)	303898KIT	1

50 DA WORKHEAD DIAGRAM



ITEM	DESCRIPTION	PART NO.	QTY
A	Piston	87135P	1
B	Piston Guide	87136P	1
C	Cylinder	87134P	1
D	Socket Head Screw	43485	8
E	Seal	37044	1
F	T-Ring	37048	1
G	Wear Ring	37045	1
H	Wear Ring	37046	1
J	T-Ring Deal	17942	1
-	Workhead Assembly	716547	-

Workhead repair kit

716578

Includes Items:

E,F,G,H and J

POWER UNIT REPLACEMENT PARTS

If press was manufactured year **2022 or later (Serial No. > WOD-7942)**, power unit, valve, hose, and fittings will be of new configuration. See components below.

Description	Part No.
Motor	303927
Run Capacitor	303928
Starter Capacitor	303929
Fan Cover	303947
Relief Valve	303930
4-Way Valve	303931
Manifold	303946
Solenoid Valve	303945
Teflon Backing Ring	303944
O-Ring	303943
O-Ring	303942
Transition Plate	303941
Pump	303940
Strainer	303939
Plug (3/4 BSP)	303938
Bonded Seal	303937
Plug (3/4-12 BSP)	303936
O-Ring for Reservoir/Tank	303935
Reservoir – 3 Gallon	303934
Full Hydraulic Unit (Except Motor)	303933
Hose & Fittings Kit	303898KIT
Power Unit (Motor, Pump, Valves, Manifold)	303898PU

For presses made year **2022 and prior (Serial No. < WOD-7942)**. See components below.

Description	Part No.
Motor	302235
Pump	302994
Fan Cover	302606
Capacitor Case	302605
Capacitor	302887
4-Way Valve	301864A
Fittings/Hose & Valve Kit	301856KIT
Power Unit	301856PU

Please contact factory for current prices.

ORDERING INFORMATION

Parts are available for direct purchase from Dake or through a distributor. When placing a parts order, you will need to provide the part number, name of part, and model number. All parts shipped F.O.B. Factory in Grand Haven, MI.