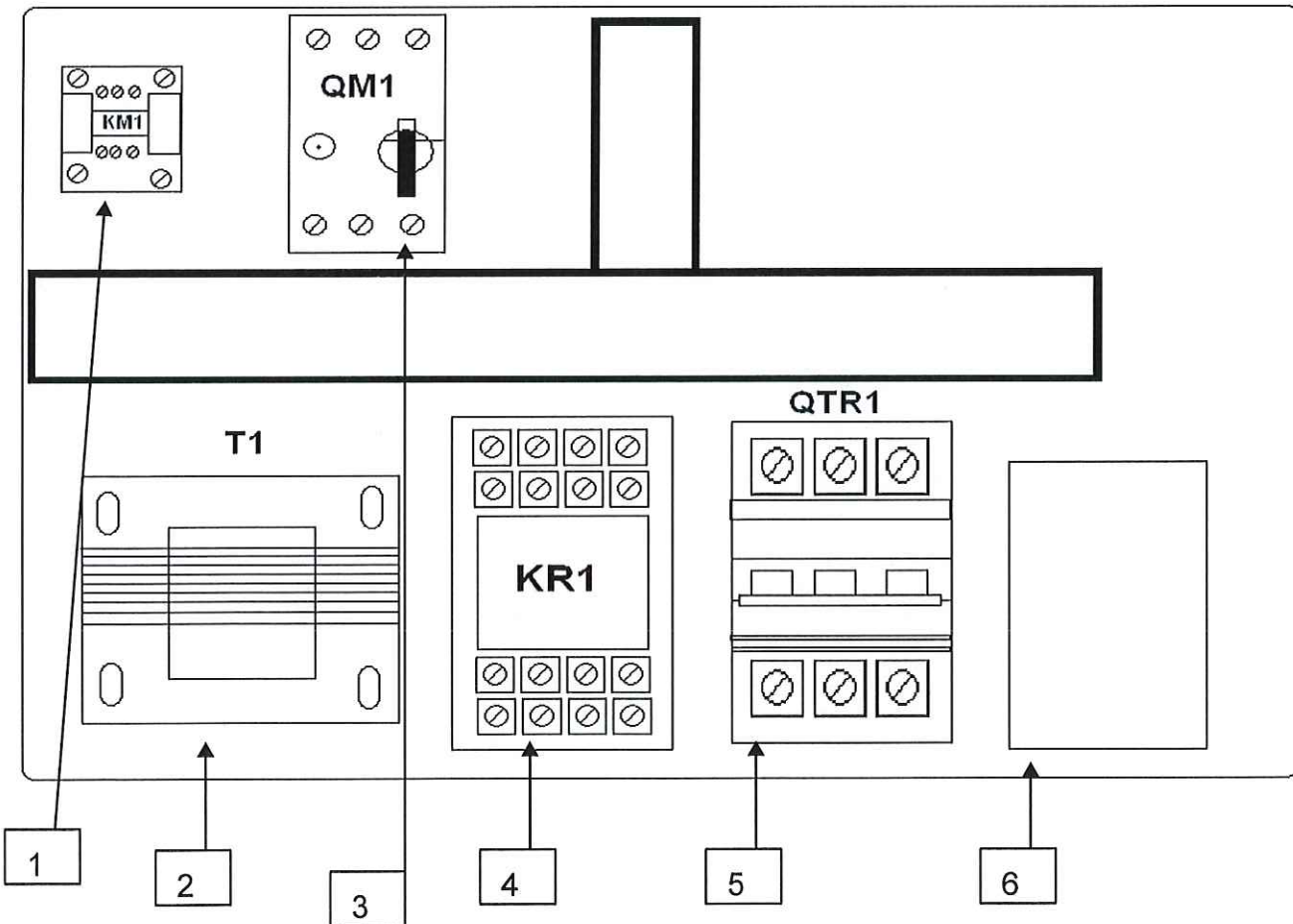
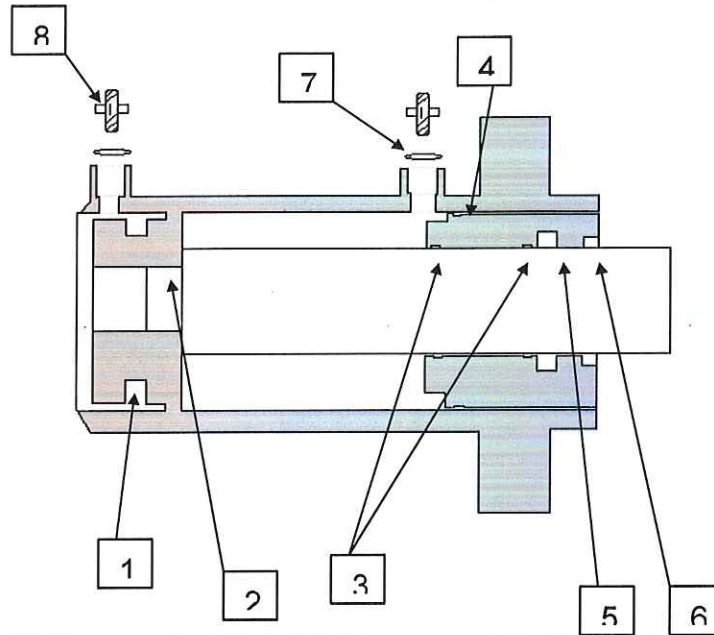


## PARTS LIST

### Electrical Box Components:



<u>Item</u>	<u>Description</u>	<u>40 Ton</u>	<u>70 Ton</u>	<u>100 Ton</u>
1	Contactor			
2	Transformer	300842	300842	300842
3	Overload 220-volt	302187	302187	302187



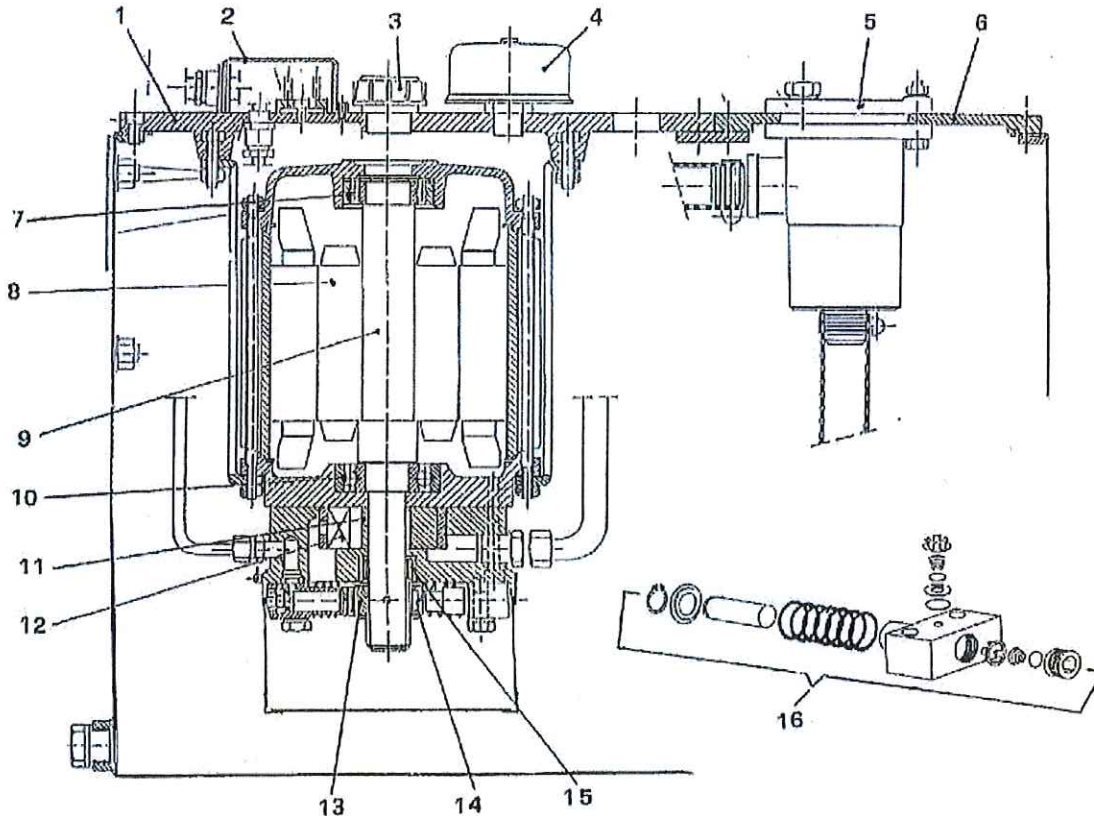
3	Overload 440-volt	302189	302189	302188
3A3	N.O. Contact Block	302192	302192	302192
4	Relay	7230000	7230000	7230000
5	Fuse Block	300843	300843	300843
5B	Fuse 2 Amp	77523	77523	77523
6	Terminal Block Ground			
6A	Terminal Block Black			
	On-Off Switch Body	302728	302728	302728

Cylinder:

<u>Item</u>	<u>Description</u>	<u>40 Ton</u>	<u>70 Ton</u>	<u>100 Ton</u>
1	Piston Gasket	300609	301195	301189
2	Piston O-Ring	300610	301196	301186
3	Head Guide Ring	300647	301197	301187
4	Head O-Ring	300648	301198	301188
5	Head Gasket	300649	301199	301185
6	Head Scraper	300650	301200	301184
7	Washer			
8	Hose Fitting (Top)	300890	300890	300890
8A	Hose Fitting (Bottom)	301390	301390	301390
	Gauge	301721	301720	301719
	Gauge Adapter	301813	301813	301813
	Hydraulic Hose A	300383	300383	
	Hydraulic Hose B	300382	300382	
	Eye Bolt	301880	301880	301880
	Nose Piece Bolt	300793	300793	300793

	Cylinder Bolts w/ Jam Nut	303795 303797	303796 303797	301136 303797
	Cylinder Fitting w/ Seal (B Port)	302957 301365	302957 301365	302957 301365
	Repair Kit	716791	716790	716789
	Complete Cylinder	300698	300642	SS100C00

Hydraulic Pumping Unit:



<u>Item</u>	<u>Description</u>	<u>40 Ton</u>	<u>70 Ton</u>	<u>100 Ton</u>
1	Complete Power Unit	300633	300633	79937
1	Tank Cover	301388	301388	301391
2	Electrical Cover	300388	300388	300388
3	Fill Cap	302055	302055	302055
4	Air Filter	300391	300635	300224
5	Drain Filter	300392	300392	300392
6				
7	Back Motor Bearing			
8*	Motor Rotor	301848	301848	
9*	Driving Shaft			
10	Front Motor Bearing			
11*	Pump Motor	302200	302200	
12	Blade	302056	302056	
13	Pumping Bearing			
14	Eccentric			



Dake Corporation  
1809 Industrial Park Dr  
Grand Haven, MI 49417  
[www.dakecorp.com](http://www.dakecorp.com)

15	Roller Bearing			
16	High Pressure Pump Group	301115	301115	301115
	Outlet Filter / bottom of pump	300393	300393	300394
	Motor Windings with Shell	301848	301848	
	Drive Shaft Assembly (Items: 8, 9, 11)	302200	302200	

***Please contact factory for current prices.***

## **ORDER INFORMATION**

Parts are available for direct purchase from Dake or through a distributor. When placing a parts order, you will need to provide the part number, name of part, and model number. All parts shipped F.O.B. Factory in Grand Haven, MI.

## **DEACTIVATING THE MACHINE**

If the machine is not going to be used for a long period of time it is recommended that you do the following:

1. Disconnect the press from power sources.
2. Empty the unit of oil.
3. Protect it suitably so there is no dust, moisture or other foreign bodies that can damage the machine.

## **DISMANTLING THE MACHINE**

If the machine is not going to be used anymore it is recommended to make it inoperable by removing the oil in the tank and eliminate oil remaining in the cylinder, hydraulic lines, pump body, and valves.

When going for demolition the press must be treated as special waste, it must therefore be split into its homogenous parts. These must be separately disposed of in conformity with local and state laws along with will all OSHA regulations.