

GEAR BOX COMPONENT

0500V26	1 *	GEAR BOX
0510V26	1 *	GEAR BOX COVER 303243
0520V26	1 *	GEAR
0521V26	1 *	GEAR
0530V26	1 *	SCREW NUT
0531V26	1 *	SCREW NUT
0540V26	1 *	GEAR 303245
0550V26	1 *	GEAR SHAFT
0560V26	1 *	SHAFT COVER
0570V26	1 *	GEAR 303244
0580V26	1 *	MAIN SHAFT
0591V26	1 *	MAIN SHAFT COVER
0600V26	1 *	SPEED CHANGING SHAFT
0610V26	1 *	SPEED CHANGING ARM
0611V26	1 *	SHAFT STOPPER
0612V26	1 *	SPRING
0620V26	1 *	SLIDE BLOCK
0630V26	1 *	CLUTCH
0631V26	2 *	BRASS BRACKET
0632V26	1 *	BRASS BRACKET
G6008V	1 *	BALL BEARING
G6206V	1 *	BALL BEARING
G6303V	1 *	BALL BEARING
G6304V	1 *	BALL BEARING
L4030V	1 *	OIL SEAL
L5230V	1 *	OIL SEAL
L5840V	1 *	OIL SEAL
CP0500V	1	GEAR BOX COMPLETE 303242
0700V26	1	SPEED CHANGING LEVER
0740V26	1	SHAFT HOUSING

0790V26	1	SPEED LEVER RIGHT
7071V26	1	PULLEY 303228
9220V26	1	LEVER KNOB
BA44V26	2	V-BELT, 7071+7300 (60HZ)
BA45V26	2	V-BELT, 7071+7300 (50HZ)

WORK TABLE COMPONENT

1010V26	1	WORK TABLE
1020V26	1	TABLE SUPPORT FRAME
1080V26	2	BLADE GUARD

GUIDE POST COMPONENT

1311V26	1	GUIDE SUPPORT, UPPER
1312V26	1	GUIDE SUPPORT, LOWER
1320V26	4	BLADE GUIDE 303233
1331V26	1	BLADE STOPPER, LONG 303251
1332V26	1	BLADE STOPPER, SHORT 303263
1333V26	1	ECCENTRIC SHAFT
1350V26	1	BLADE GUIDE POST
1351V26	1	GEAR BAR
1360V26	1	GUIDE POST HOUSING
1370V26	1	BLADE GUARD, LEFT
1380V26	1	BLADE GUARD, RIGHT
1400V26	2	SPRING
1410V26	1	SPRING HOUSING
1440V26	1	POST HOUSING SPRING
1450V26	1	POST ELEVATING GEAR
1650V26	1	CIRCLE CUTTING ATTACHMENT
9015V26	1	GUIDE POST LOCK
9033V26	1	POST ELEVATE HANDWHEEL
9230V26	1	HANDLE KNOB
G6201V26	1	BALL BEARING

MAIN DRIVE

2000V26	1	MAIN DRIVE MOTOR 303255
2011V26	1	MOTOR PULLEY
2020V26	4	MOTOR ROTARY SEAT
BA43V26	2	V-BELT, 2011+7070
BA60V26	1	V-BELT, 2011+4450

WHEEL COMPONENT

3010V26	1 *	LOWER WHEEL
3020V26	1 *	RUBBER TIRE 303261
CP3010V26	1	LOWER WHEEL COMPLETE
3030V26	1	TAPER SLEEVE
3040V26	1	WHEEL LOCKING NUT
3020V26	1 *	RUBBER TIRE
3050V26	1 *	UPPER WHEEL
G6305V26	2 *	BALL BEARING
CP3050V26	1	UPPER WHEEL COMPLETE
3060V26	1	UPPER WHEEL LOCK

WORK TABLE CONTINUED

1090V26	1	TABLE SUPPORT HOUSING
1100V26	1	GUIDE SUPPORT HOUSING
1120V26	1	RIGHT-HANDED SCREW
1140V26	1	LEFT-HANDED SCREW
1150V26	1	SLIDER
1160V26	1	TABLE TILT ADJUST SCREW
1500V26	1	METER GAUGE
1550V26	1	RIP FENCE + LOCK 303256
1800V26	1	FEED SCREW

WHEEL COMPONENT CONT.

3080V26	1 *	SLIDE BLOCK HOUSING
3090V26	1 *	SLIDE BLOCK SEAT
3100V26	2 *	SLIDE BLOCK GUIDE
3110AV26	1 *	UPPER WHEEL SLIDER
3116V26	1 *	SLIDER SCREW SHAFT
3120V26	1 *	WHEEL ELEVATE SHAFT
3121V26	1 *	SPRING
3150V26	1 *	WASHER
3180V26	3 *	INDICATOR RING
CP3080V26	1	SLIDE HOUSING COMPLETE
3190V26	1	TENSION INDICATOR
3200V26	1	WHEEL TILT ADJUSTER
3220V26	1	WHEEL TILT CONNECTER
3240V26	1	CONNECTER WASHER
3250V26	1	CONNECTER HOUSING
9030V26	1	HANDWHEEL
9060V26	1	TILT ADJUST HANDWHEEL

AIR PUMP COMPONENT

4060V26	2	AIR PUMP SEAT
4170V26	1	AIR NOZZLE
4180V26	1	AIR NOZZLE CLIPPER
4450V26	1	AIR COMPRESSOR 303229

VARIATOR COMPONENT

7000V26	1	MOTOR SPRING HOUSING
7010V26	1 *	SPRING
7020V26	1 *	VAEIATOR DISK, UPPER
7030V26	1 *	VAEIATOR DISK, UPPER
7040V26	1 *	VARIATOR HOUSING TUBE
7050V26	1 *	VARIATOR SHAFT
7060V26	1 *	VARIATOR HOUSING
G6007V26	1 *	BALL BEARING
G6205V26	2 *	BALL BEARING
CP7060V26	1	VARIATOR HOUSING
7070V26	1	PULLEY
7080V26	1	WORM GEAR
7090V26	1	WORM GEAR HOUSING
7100V26	1	GEAR SHAFT
7110V26	1	WORM
7120V26	1	WHIRLING ARM
7200V26	1 *	SPRING HOUSING
7210V26	1 *	SPRING
7220V26	1 *	VARIATOR DISK, LOWER
7230AV26	1 *	VARIATOR DISK, LOWER
7260V26	1 *	SHAFT HOUSING
G6007V26	1 *	BALL BEARING
G6204V26	1 *	BALL BEARING
CP7260V26	1	SHAFT HOUSING
7290V26	1	SPEED CHANGE WHEEL SEAT
7300V26	1	PULLEY

MAIN BODY & MISCELLANEOUS

5000V26	1	MAIN BODY
5100V26	1	REAR DOOR, LARGER
5101V26	1	REAR DOOR, SMALLER
5120V26	1	LOWER DOOR
5140V26	1	UPPER DOOR
8111V26	1	CONTROL PLATE
8372V26	1	VARIATOR INSTRUCTION
8422V26	1	GEAR BOX INSTRUCTION
8712V26	1	INDICATOR PLATE
8743V26	1	TILT INSTRUCTION
9300V26	2	UPPER DOOR HINGE
9310V26	6	HINGE
9500V26	4	SPRING PLATE
9590V26	2	HANDLE ARM

MAIN BODY & MISC. CONT.

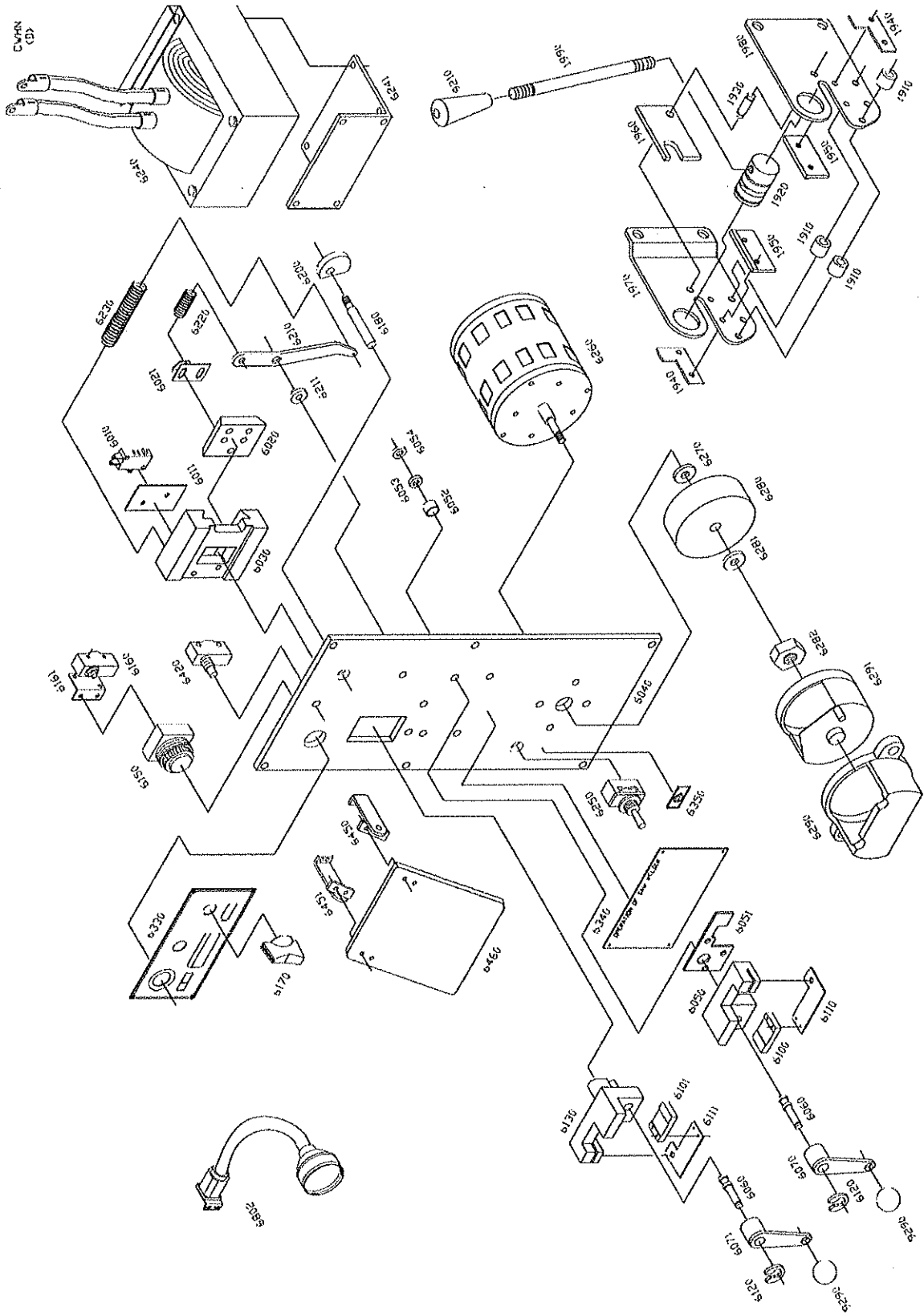
9600V26	1	CHIP STOPPER	7310V26	1
9700V26	1	INDICATE MIDDLE	7330V26	1
9780V26	1	BRUSHER BRACKET	9030V26	1
9790V26	1	CHIP BRUSHER 303237	BA44V26	-
9850V26	1	KEY FOR REAR DOOR	BA45V26	-
9880V26	1	CHIP COLLECTOR	BA43V26	-
9900V26	1	MAGNIFYING GLASS	BV875V26	1

VARIATOR COMPONENT CONT

7310V26	1	SPEED READOUT DETECTOR 303264
7330V26	1	DIGITAL TACHOMETER 303238
9030V26	1	HANDWHEEL
BA44V26	-	V-BELT, 7071+7300 (60HZ)
BA45V26	-	V-BELT, 7071+7300 (50HZ)
BA43V26	-	V-BELT, 2011+7070
BV875V26	1	V-BELT

CONTROL SWITCH COMPONENT

6600V26	1	PUSH BUTTON, ON
6602V26	1	PUSH BUTTON, OFF,
6610V26	1	EMERGENCY SWITCH
6620V26	2	DOOR LIMIT SWITCH 303239
6650V26	1	KEY SWITCH
6700V26	1	MAIN POWER SWITCH
6713V26	2	MAGNETIC SWITCH 303254
6723V26	1	OVERLOAD STARTER 303258
6741V26	1	PILOT LAMP, GREEN
6745V6	1	VOLTAGE REDUCER 303266
6752V26	1	FUSE SEAT
6753V26	2	FUSE SEAT
6754V26	1	FUSE SEAT
6770V26	2	WIRE HOUSING
6771V26	1	GROUND SEAT
6798V26	1	ELECTRIC BOX
6799V26	1	WIRING PLATE



Curran (3)

WELDER COMPONENT

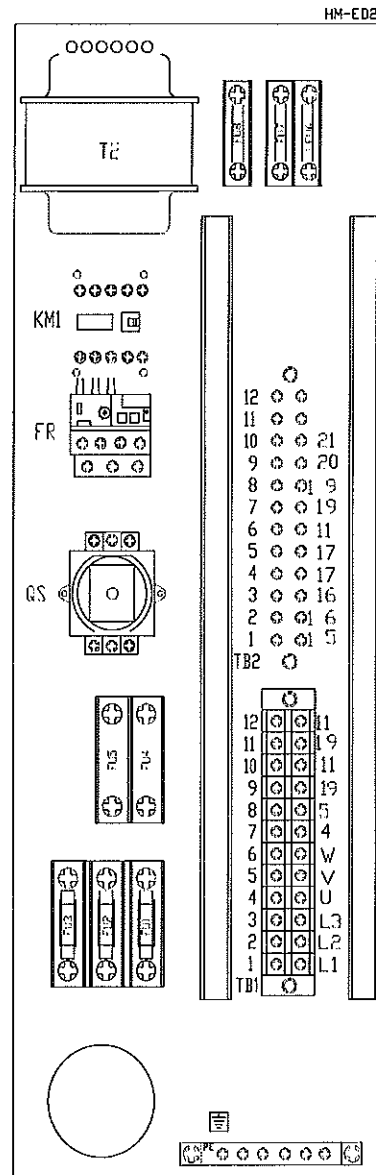
- 6010V26 1 * LIMIT SWITCH 303250
- 6011V26 1 * INSULATOR
- 6020V26 1 * GUIDE BLOCK
- 6040V26 1 * HOUSING
- 6050V26 1 * STATIONARY JAW
- 6051V26 1 * INSULATOR
- 6052V26 3 * INSULATING TUBE
- 6053V26 3 * WASHER, INSULATE
- 6054V26 3 * SPACER
- 6060V26 2 * ECCENTRIC SHAFT
- 6070V26 1 * CLAMP LEVER, RIGHT
- 6071V26 1 * CLAMP LEVER, LEFT
- 6100V26 1 * CLAMP SUPPORT, RIGHT
- 6101V26 1 * CLAMP SUPPORT, LEFT
- 6110V26 1 * CLAMP PLATE, RIGHT
- 6111V26 1 * CLAMP PLATE, LEFT
- 6111V26 1 * CLAMP PLATE, LEFT
- 6120V26 2 * CAM
- 6130V26 1 * MOVING JAW
- 6150V26 1 * WELD BUTTON 303271
- 6160V26 1 * MICRO SWITCH
- 6161V26 1 * MICRO SWITCH BRACKET
- 6170V26 1 * PRESSURE ADJUST KNOB
- 6180V26 1 * SHAFT
- 6200V26 1 * CAM
- 6210V26 1 * WELD TENSION ARM
- 6211V26 1 * BUSHING
- 6220V26 1 * SPRING, SHORTER
- 6230V26 1 * SPRING, LONGER
- 304007 1 * TRANSFORMER (4.2KVA)
- 6241V26 1 * MOUNTING BRACKET (4.2KVA ONLY)
- 6250V26 1 * SWITCH
- 303787 1 * GRINDER MOTOR
- 6270V26 1 * SPACER
- 6280V26 1 * GRINDER WHEEL 303248
- 6281V26 1 * 1/4" WASHER, FLAT
- 6282V26 1 * 6 mm-1.0 HEX NUT
- 6290V26 1 * GRINDER GUARD 303247
- 6291V26 1 * GRINDER COVER 303246
- 6330V26 1 * WELDER NAME PLATE
- 6340V26 1 * INSTRUCTION LABLE
- 6350V26 1 * GRINDER LABLE
- 6420V26 1 * ANNEAL BUTTON 303231
- 6450V26 1 * DEFLECTOR BRACKET, RIGHT
- 6451V26 1 * DEFLECTOR BRACKET, LEFT
- 6460V26 1 * SPARK DEFLECTOR
- 9290V26 2 * KNOB 303249
- 304006 1 * 42-WELDER ASSEMBLY

WORK LAMP COMPONENT

- 6802V26 1 * WORK LAMP COMPONENT 303272
Bulb MR 16 12v 20W

SHEAR COMPONENT

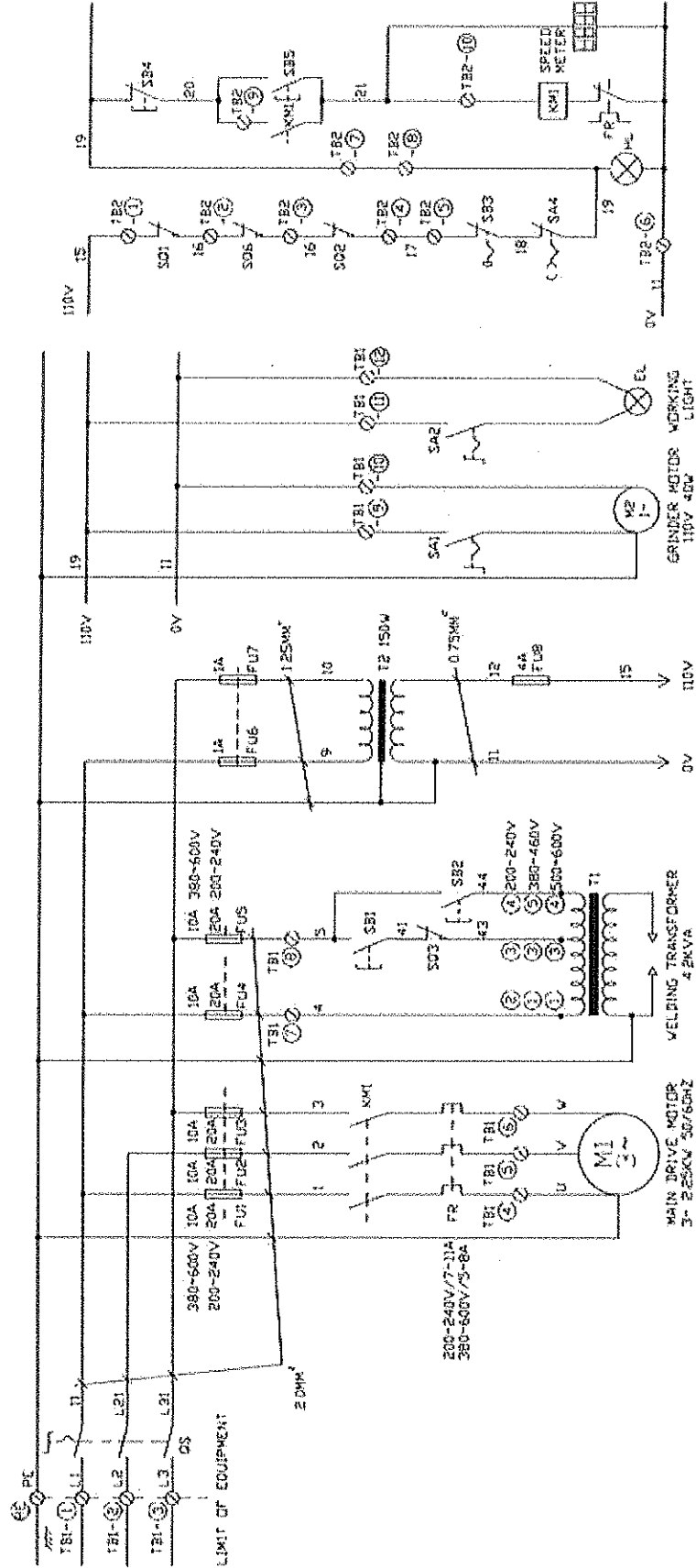
- 1910V26 3 * SPINDLE BUSHING
- 1920V26 1 * SPINDLE LIFT
- 1930V26 1 * BLADE SHAFT
- 1940V26 2 * VANED IRON PLATE
- 1950V26 2 * LOWER BLADE
- 1960V26 1 * UPPER BLADE
- 1970V26 1 * JOINT PLATE, LEFT
- 1980V26 1 * CHAIN JOINT, RIGHT
- 1990V26 1 * HANDLE BAR
- 9210V26 1 * KNOB
- SCPV26 1 * SHEAR COMPLETE 303234



V-26

WIRING DIAGRAM

- AC 3Ø 200V-240V
- AC 3Ø 380V-460V
- AC 3Ø 500V-600V



Symbol	Description	Symbol	Description	Symbol	Description	Symbol	Description
S01	WELD ON	S01	GRINDER MOTOR ON	S01	MAIN SWITCH	KMI	CONTACTOR
S02	EMERGENCY STOP	S02	WORK LAMP ON	S02	SAFETY SWITCH	FR	OVERLOAD RELAY
S03	MAIN MOTOR STOP	S03	KEY SWITCH	S03	SAFETY SWITCH	T1	TRANSFORMER
S04	MAIN MOTOR OFF	S04	INDICATOR LIGHT	S04	WELD AUTO STOP	T2	TRANSFORMER
S05	MAIN MOTOR ON	S05	LAMP ON	S05	SAFETY SWITCH	TU-F08	FUSE