

## 8. PARTS LIST

### 10 TON BENCH UTILITY PRESS PARTS LIST

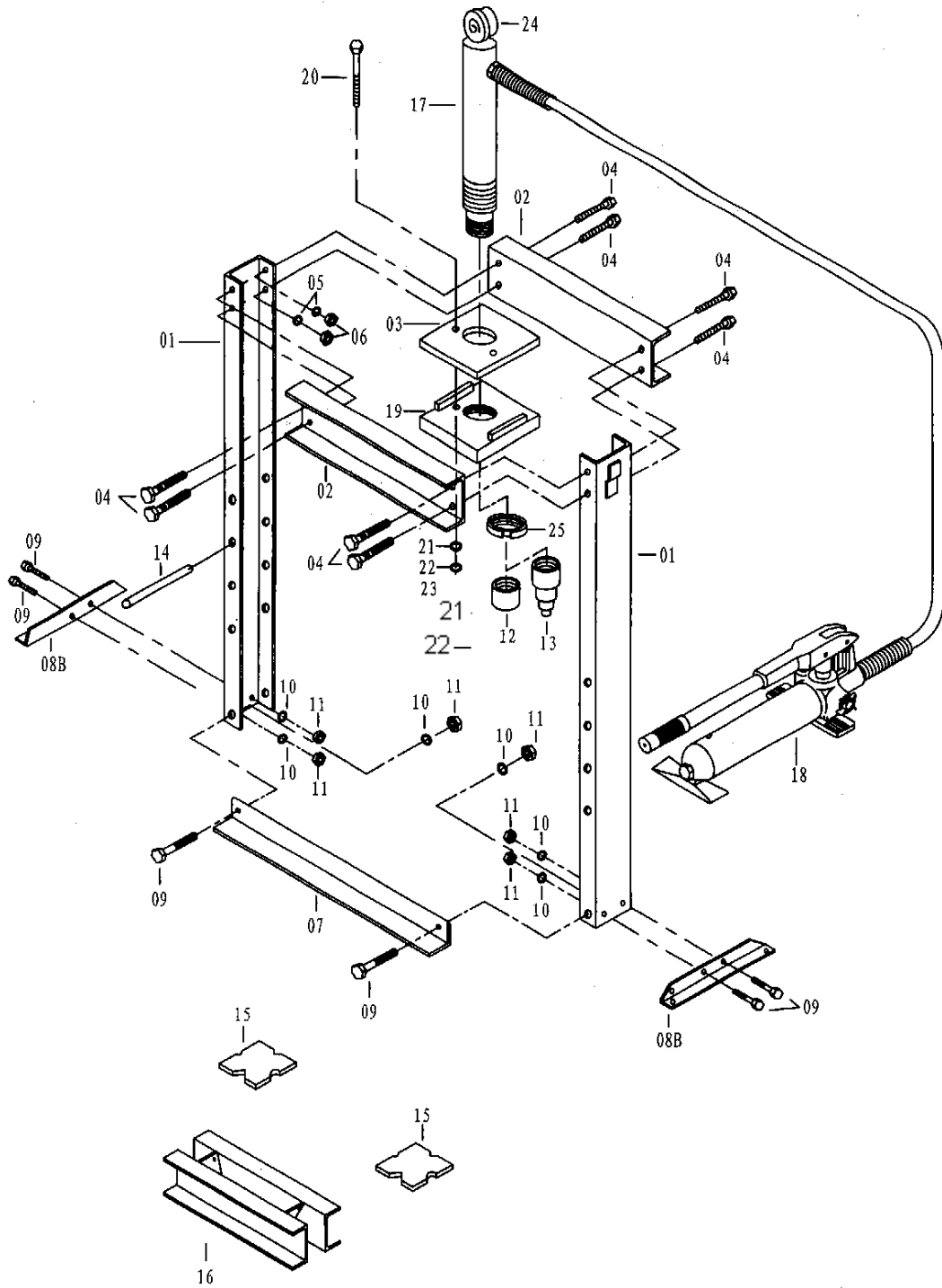
Ref #	Dake Part #	Description	Qty.
1	301139	Frame upright channel	2
2	301138	Head frame channel	2
3 / 19	301137 / 301133	Head ram traverse plates	1 upper & lower
4	301136	Bolt M12 x 110mm	6
5	301135	Lock washer 12mm	6
6	301134	Nut M12 x 4	6
7	301132	Union support	1
8	301131	Base angle	2
9	301130	Bolt M8 x 20	6
10	301129	Lock washer 8mm	6
11	301128	Nut M8	6
12	301127	Flat nose piece	1
13	301126	Step nose piece	1
14	301125	Table pin	2
15	301124	Table plate	2
16	301123	Work table	1
17	301122	Ram / Cylinder	1
17A	302382	Cylinder spring	1
18	301121	Pumping unit	1
20	301150	Bolt M10 x 140	2
21	302277	Washer 10mm	2
22	301149	Lock washer 10mm	2
23	301141	Nut 10mm	2
24	302019	Gauge (Original)	1
25	302276	Ring	1
<b>Items not shown</b>			
	302318	Cylinder Seal kit	
	302382	Spring for cylinder	
	302310	Fitting Nipple	
	302309	Fitting Coupler	
	302554	Pump repair kit	
	302508	Hydraulic hose w/Coupling	
	302019	10 Ton Gauge	
	302019C	10 Ton Certified Gauge	
	302596	0-5000lbs. Gauge	
	302777	Max Hand Gauge 1-10 Ton	

**Spare seals should be stored in safe location out of direct sunlight.**

When ordering, parts have model and date of purchase information ready.

For assistance call Dake Customer Service at 1-800-937-3253 or fax to 1-800-846-3253  
e-mail to [customerservice@dakecorp.com](mailto:customerservice@dakecorp.com)

# 10 TON BENCH UTILITY PRESS



### 10 TON FLOOR UTILITY PRESS PARTS LIST

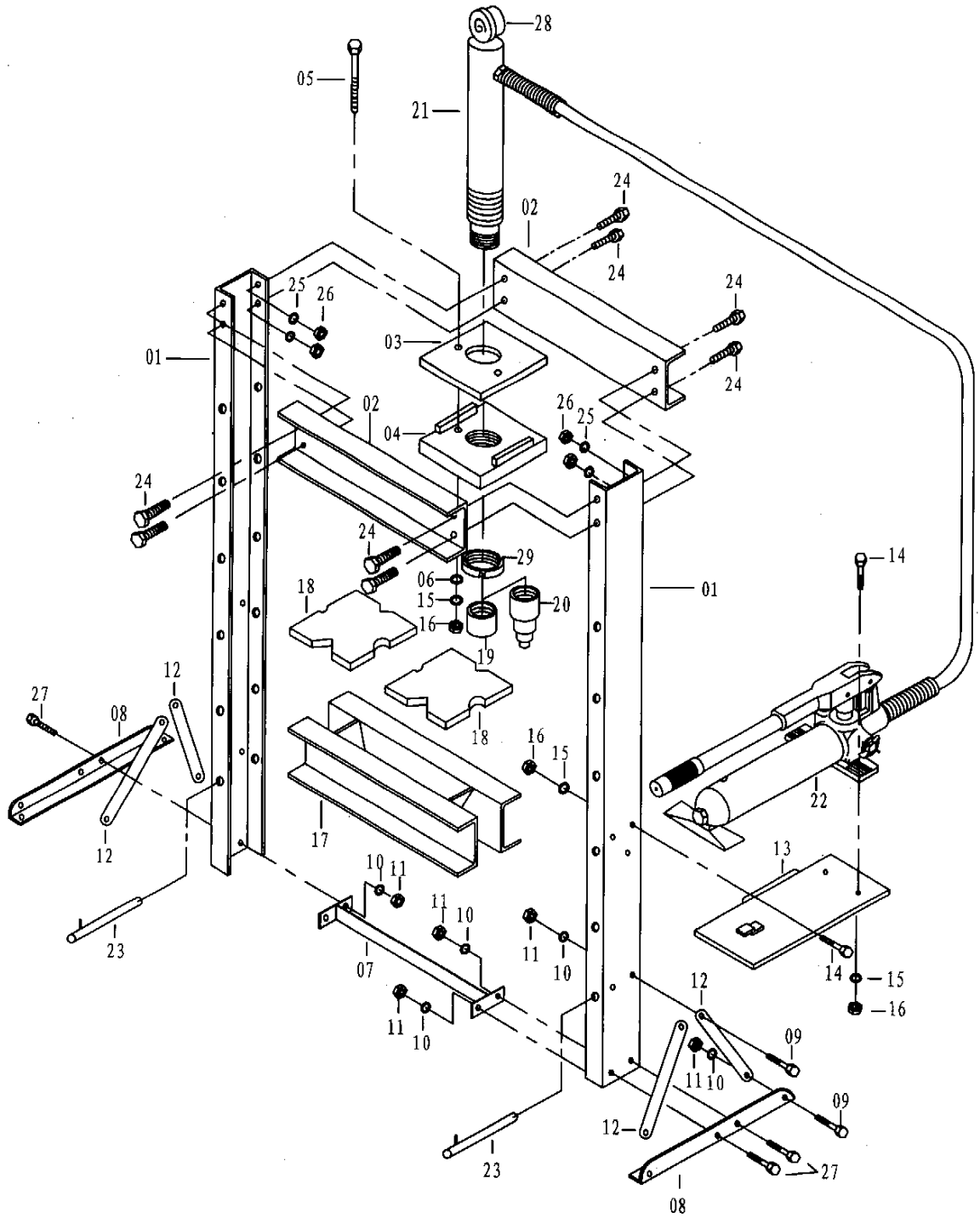
Ref #	Dake Part #	Description	Qty.
1	301154	Frame upright channel	2
2	301153	Head frame channel	2
3 / 4	301152 / 301151	Head ram traverse plates	1 upper & lower
5	301150	Bolt M10 x 120mm	2
6	301149	Lock washer 10mm	2
7	301148	Union Support	1
8	301147	Base angle	2
9	301146	Bolt M8 x 25	12
10	301129	Lock washer 8mm	12
11	301128	Nut M8	12
12	301145	Angle support strap	4
13	301144	Pump support bracket	1
14	301143	Bolt M10 x 25	5
15	301142	Lock washer 10mm	4
16	301141	Nut M10	4
17	301123	Work table	1
18	301124	Table plate	2
19	301127	Flat nose piece	1
20	301126	Step nose piece	1
21	301140	Ram / Cylinder	1
21A	302383	Cylinder spring	1
22	301121	Pumping unit	1
23	301125	Table pin	2
24	301136	Bolt M12 x 110mm	4
25	301135	Lock washer 12mm	4
26	301134	Nut M12	4
27	302274	Bolt M8 x 25	4
28	302019	Gauge (Original)	1
29	302275	Ring	1
<b>Items not shown</b>			
	302318	Seal kit	
	302383	Cylinder spring	
	302310	Fitting Nipple	
	302309	Fitting Coupler	
	302554	Pump repair kit	
	302508	Hydraulic hose w/Coupling	
	302019	10 Ton Gauge	
	302019C	10 Ton Certified Gauge	
	302596	0-5000lbs. Gauge	
	302777	Max Hand Gauge 1-10 Ton	

**Spare seals should be stored in safe location out of direct sunlight.**

When ordering, parts have model and date of purchase information ready.

For assistance call Dake Customer Service at 1-800-937-3253 or fax to 1-800-846-3253  
e-mail to [customerservice@dakecorp.com](mailto:customerservice@dakecorp.com)

# 10 TON FLOOR UTILITY PRESS



## 20 TON FLOOR UTILITY PRESS PARTS LIST

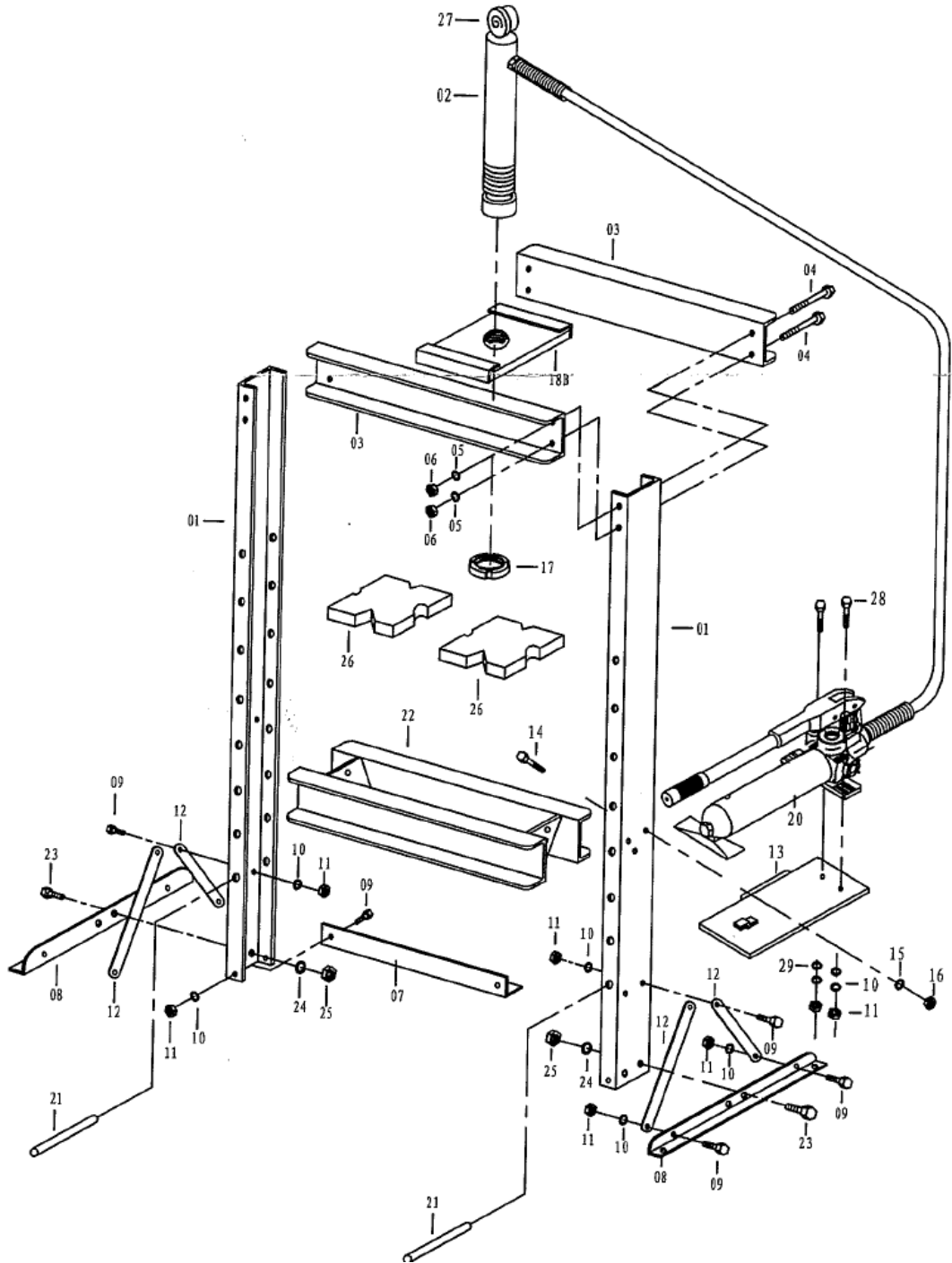
Ref #	Dake Part #	Description	Qty.
1	303183	Frame upright channel	2
2	303184	Ram Cylinder	1
3	303208	Head frame channel	2
4	303204	Bolt M18 x 140mm	4
5	303203	Lock washer 18mm	4
6	303205	Nut 18mm	4
7	303186	Union support	1
8	303207	Base angle	2
9	301146	Bolt M8 x 25mm	10
10	301129	Lock washer 8mm	12
11	301128	Nut 8mm	12
12	301145	Angle support strap	4
13	301144	Pump support bracket	1
14	301143	Bolt M10 x 25mm	3
15	301142	Lock washer 10mm	3
16	301141	Nut 10mm	3
17	303187	Spanner nut	1
18B	303202	Head traverse plate	1
20	303192	2 Stage pumping unit	1
21	303194	Table pin	2
22	303197	Table	1
23	78754	Bolt M12 x 30mm	4
24	301135	Washer 12mm	4
25	301134	Nut 12mm	4
26	303193	Pressing plates	2
27	303198	Gauge	1
28	78786	Bolt M8 x 30mm	2
29	303206	Washer 8mm	2
		<b>Items not shown</b>	
	303199	Seal kit	
	303200	Cylinder spring	
	302508	Fitting Nipple	
	302309	Fitting Coupler	
	303201	Pump repair kit	
	302508	Hydraulic hose w/Coupling	
	303191	Flat nose piece	
	303190	Stepped nose piece	

**Spare seals should be stored in safe location out of direct sunlight.**

When ordering, parts have model and date of purchase information ready.

For assistance call Dake Customer Service at 1-800-937-3253 or fax to 1-800-846-3253  
e-mail to [customerservice@dakecorp.com](mailto:customerservice@dakecorp.com)

# DAKE 20 TON FLOOR UTILITY PRESS



## Adding oil to pumping unit.

Retract the ram that is connected to the pump.

Remove and place the pump so the pump is horizontal as shown. (Do not disconnect ram from the pump)

Remove filler plug (small plug on the top) (See below figure 1) also lift the pump unit up  $3/8'' - 3/4''$ , and add hydraulic oil until the oil weeps out of this hole. (Figure 2) Replace plug

Remount the unit back on the pump plate (floor models)

Open valve and pump repeatedly until the system is bled of air.

**Pumping unit horizontal for filling**

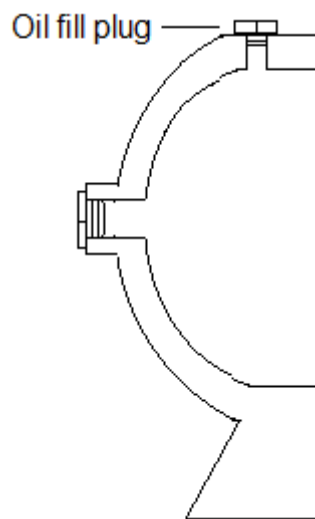
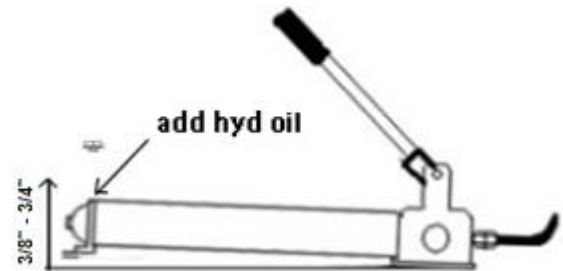


Figure 1

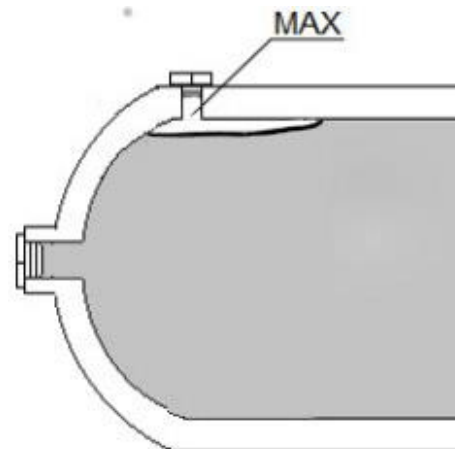


Figure 2