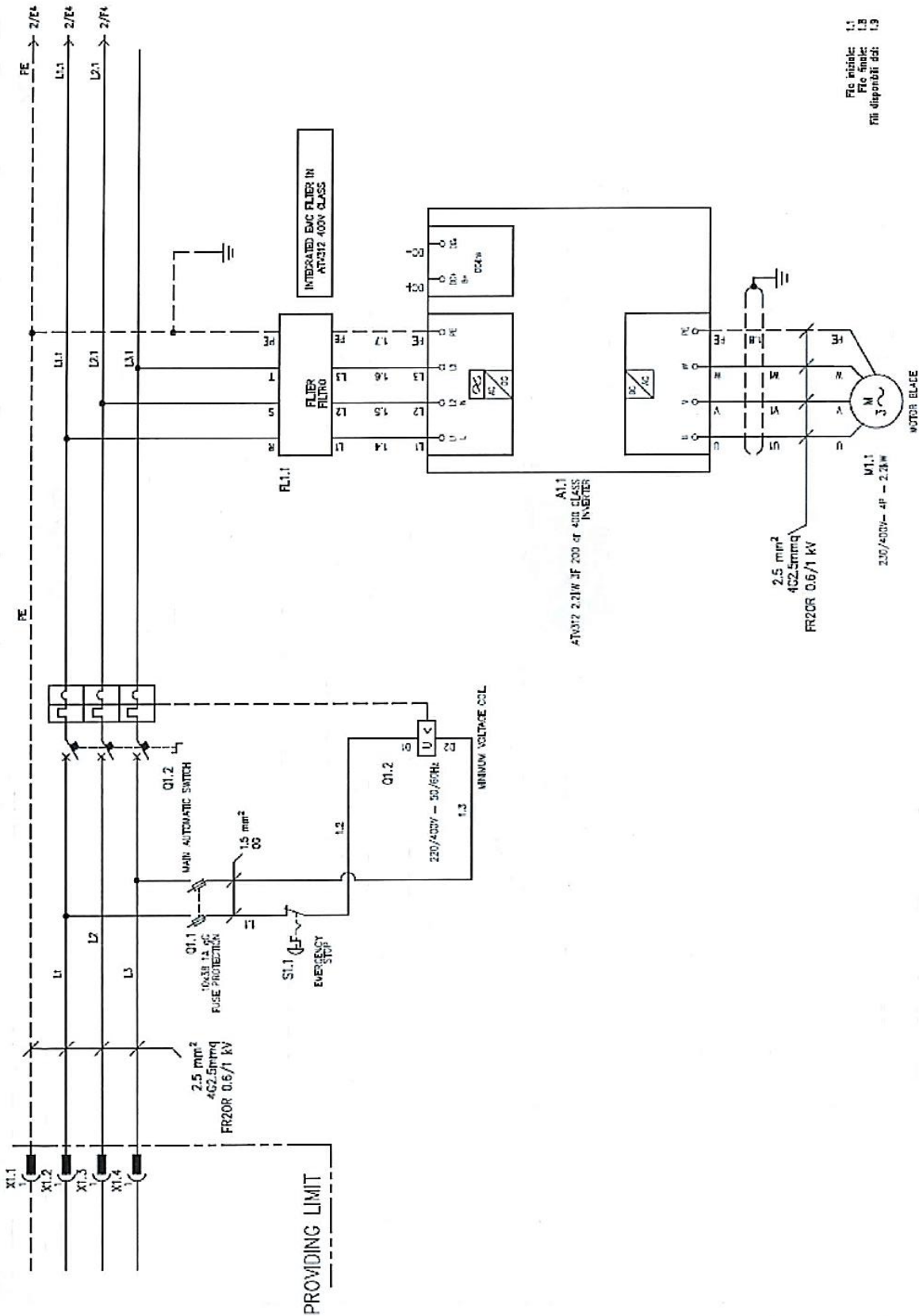
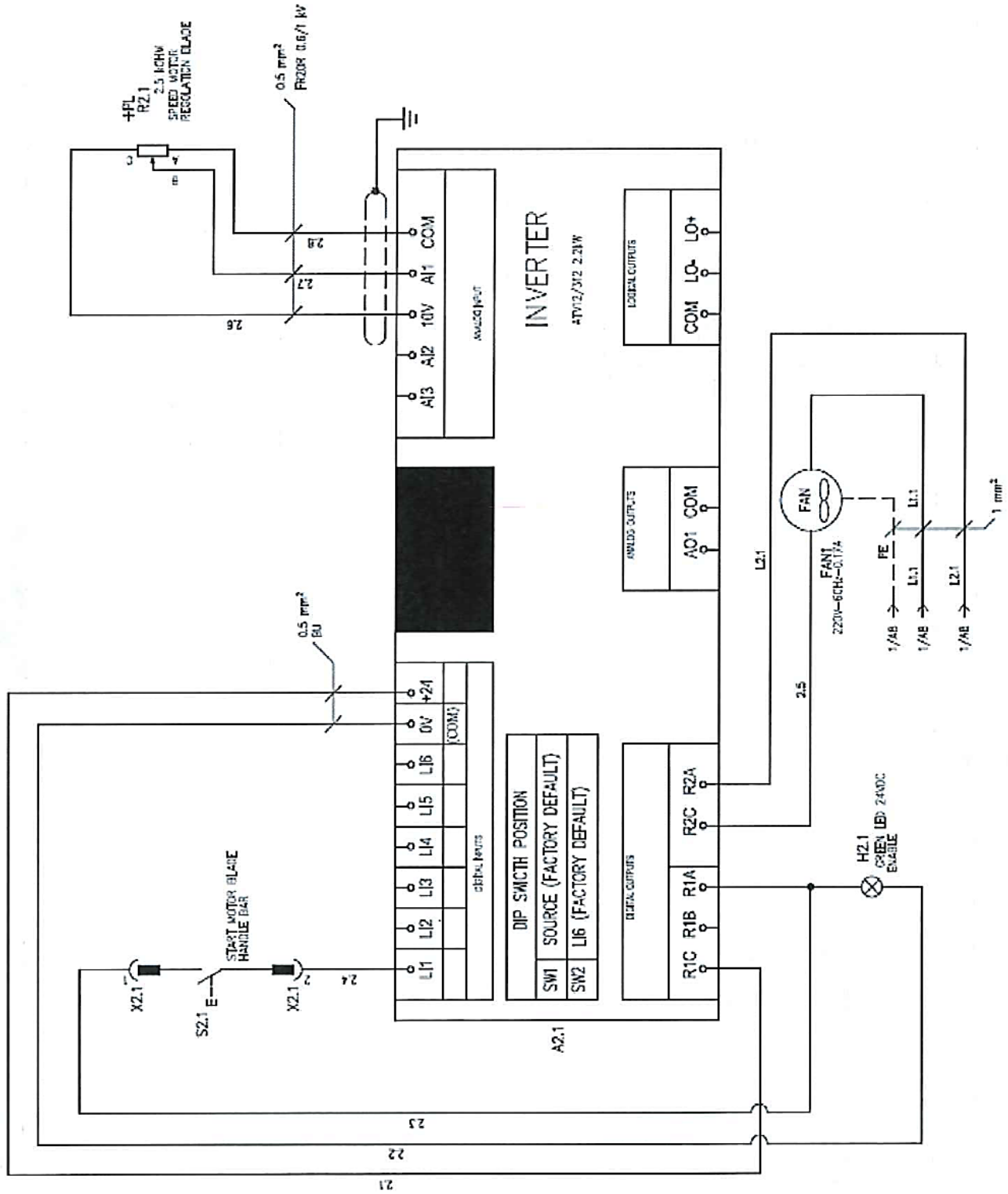


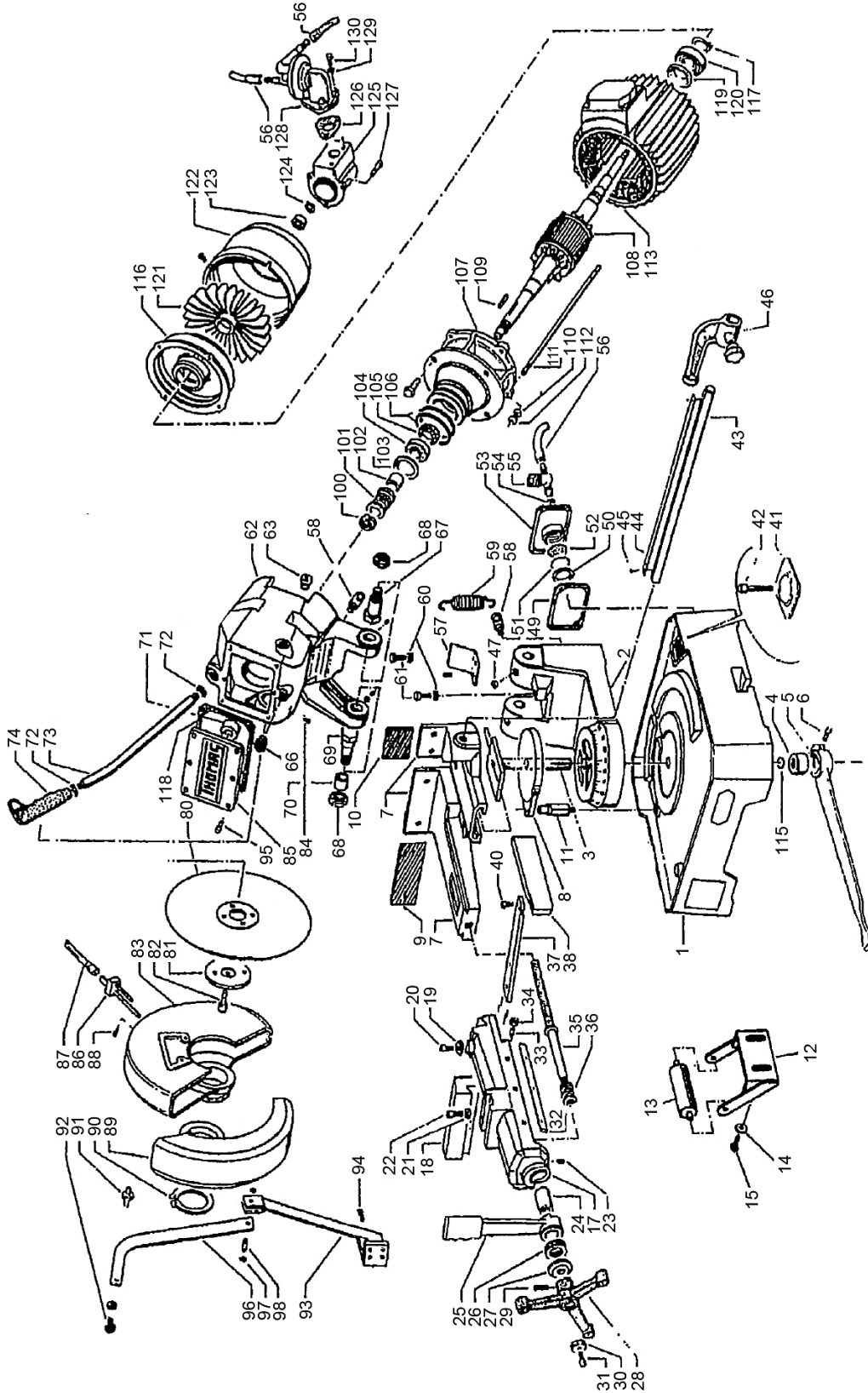
ELECTRICAL DIAGRAMS



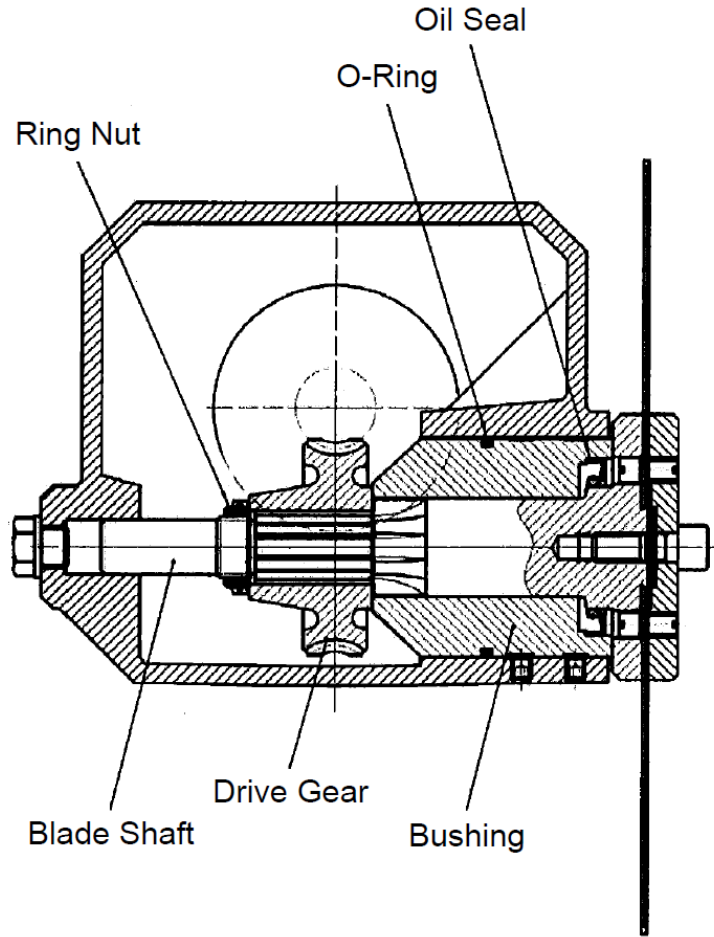


EXPLODED VIEW

Exploded view is only for 350CE Cold Saw with Frequency Drive Motor



350CE Frequency Drive Gearbox:



Part Description	Part Number
Oil Seal	86000000
O-Ring	302920
Ring Nut	81700025

Part Description	Part Number
Blade Shaft	302965
Drive Gear	302966
Bushing	302967

PARTS LIST

Parts list is only for 350CE Cold Saw with Frequency Drive Motor

<u>Item</u>	<u>Part Name</u>	<u>Part No.</u>
1	Machine Bed	AGB81040
2	Revolving Arm	AGB90025
3	Revolving Arm Pin	AFB90029
4	Revolving Arm Locking Bushing	AFB80012
5	Revolving Arm Locking Lever	AGB80016
6	Screw TCCE M10	-
7	Countervise	AGB90040
8	Mobile Countervise Flange	AGB90041
9	Countervise Jaw	AFB90042
10	Burr-free Jaws	AFB90043
11	Countervise Fixing Pin	AFB90044
12 & 13	Roller Support Arm & Roller	303343
14	Washer (M10)	43633
15	Bolt (M10)	81505
17	Vise (cast iron)	AGB90055
18	Vise Jaw	AFB90056
19	Vise Jaw Washer	AFB8B037
20	Screw TCCE M12	81110133
21	Washer (8.5mm ID x 21mm OD)	82100000
22	Screw TCCE M12	81110133
23	Dowel (M8 x 30mm)	81132081
24	Lever Bushing	AFB80032
25	Quick Lock Vise Lever	AGB80031
26	Bearing AX 3047	84500001
27	Quick Lock Vise Washer	AFB80033
28	Vise Handwheel	47100000L
29	Elastic Pin Ø 6	82504217
30	Washer (8.5mm ID x 21mm OD)	82100000
31	Socket Cap Screw (M8-1.25 x 20mm)	80521
32	Vise Gib	AFB80036
33	Dowel M8	81574
34	Nut M8 hexagonal	81573
35	Vise Screw	AFB80034
36	Vise Cam Lever Spring	AFB80035

<u>Item</u>	<u>Part Name</u>	<u>Part No.</u>
37	Burr-free Transverse Plate	302963
38	Burr-free Plate	302963
41	Filter Screen	AFB80044
42	Socket Cap Screw (M6 x 12mm)	80625
43	Bar Stop Rod	AFB80024
44	Bar Stop Rod Scale	AHB80026
46	Bar Stop Block	AG660047
46.1	Bar Stop Push Rod	AFC40109
47	Oiler Ø 8	82901005
48	Dowel M8	81132081
49	Tank Cover Gasket	ANB80042
50	Snap Ring SEEGER Ø42	82610000
51	Tank Cover Filter	-
52	Tank Cover Wire Gauze	-
53	Tank Cover	ANB80041
54	Washer (8.5mm ID x 21mm OD)	82100000
55	Coolant Flow	88600000
56	Coolant Hose	69102002
57	Extra Protection	-
58	Spring Connection	AFC10024
59	Head Return Spring	AFB90034
60	Nut M12	301134
61	Screw M12	81110133
62	Head Casting	AGB90001
-	Head Cover Gasket	ANB90003
63	Oil Plug	88302002
64	Ring Nut (M25 x 1.5)	81700025
65	Spring Thrusting Washer	AFB90018
66	Oil Plug	88302002
67	Hinge Cylindrical Pin	AFB90027
68	Ring Nut (M25 x 1.5)	81700025
69	Hinge Eccentric Pin	AFB90026
70	Eccentric Bushing	AFB90028
71	Bearing	84101031
72	Nut M20	81600020
73	Head Lever	120C0004

<u>Item</u>	<u>Part Name</u>	<u>Part No.</u>
74	Handgrip with Switch	44600001
81	Blade Shaft Flange	AF710163
82	Screw M12 x 35mm left thread	S1110136
83	Fixed Blade Guard	AGB90085
84	Dowel M8 x 30mm	81132081
85	Front Head Cover	AGB90002
86	Coolant Distributor	AFB80055
87	Coolant Hose	69102002
88	Dowel M6	64179
89	Mobile Blade Guard	160C0063
90	Snap Ring Ø60E	82600000
91	Mobile Blade Guard Pin	160C0063
92	Socket Cap Screw (M6 x 12mm)	80625
93	Tie Rod Support	AFB90087
94	Socket Cap Screw (M6 x 12mm)	80625
95	Socket Cap Screw (M6 x 12mm)	80625
96	Tie Rod Mobile Guard	AFB90088
97	Snap Ring Ø10E (Included in AF19B090)	-
98	Tie Rod Support Pin	AF19B090
100	Ring Nut (GUK M20 x 1mm)	81700020
101	Worm Screw	AFB90015
102	Worm Screw Spacer	AFB90017
103	Snap Ring SEEGER Ø42	82610000
104	Bearing 3305	84301010
105	Oil Seal	301959
106	Ring OR 4312	302920
107	Front Motor Flange	N/A
108	In motor assembly	-
110	In motor assembly	-
111	In motor assembly	-
112	In motor assembly	-
113	In motor assembly	-
115	O-Ring	86002004
117	In motor assembly	-
119	In motor assembly	-
120	Bearing 4205	84130010
121	Motor Fan	74310007

<u>Item</u>	<u>Part Name</u>	<u>Part No.</u>
122	Fan Cover	303775
123	Bearing 609	84101016
124	Retaining Ring SEEGER Ø9	303289
125	Pump Connection Box	AG190044
126	Pump Gasket	303236
127	Socket Cap Screw (M4 x 12mm)	81701
128	Coolant Pump	88141000
129	Washer (8.5mm ID x 21mm OD)	82100000
130	Socket Cap Screw (M6 x 12mm)	80625
137	Drive Pins (M10 x 1.5mm)	AFB8B007
-	Drive Pins (M10 x 1.25mm)	302931
142	Fuse Holder	300843
144	Socket Connector	73600005
145	Plug Connector	73600052
147	Reset Push-Button	716812
148	Emergency Push-Button	716538
-	Motor	303318
-	Fuse Cartridge	302977
-	Motor Starter	302978
-	Under Voltage Trip (220-240)	302979
-	Under Voltage Trip (208-220)	303276
-	Main Switch – Electrical Components Included	302981
-	Main Switch – No Electrical Components Incl. (Part of #302981)	303871
-	Frequency Drive	302843
-	Kit Pneumatic Vise	AAB9100L
-	Filter unit Pneumatic vise	88112015
-	Valve Pneumatic vise	88125000
-	Pneumatic Vise Cylinder	78200096

Please contact factory for current prices.

ORDERING INFORMATION

Parts are available for direct purchase from Dake or through a distributor. When placing a parts order, you will need to provide the part number, name of part, and model number. All parts shipped F.O.B. Factory in Grand Haven, MI.

DEACTIVATING THE MACHINE

If the machine is not going to be in use for a long period of time it is recommended that you do the following:

1. Unplug machine.
2. Release the arch return spring.
3. Empty coolant tank.
4. Carefully clean and grease machine.
5. If necessary cover the machine.

DISMANTLING THE MACHINE

If this machine is permanently demolished and/or scrapped, divide the material to be disposed of and dispose of them in accordance to local disposal laws. This includes raw materials such as metals, electrical components, and special waste such as old oils.