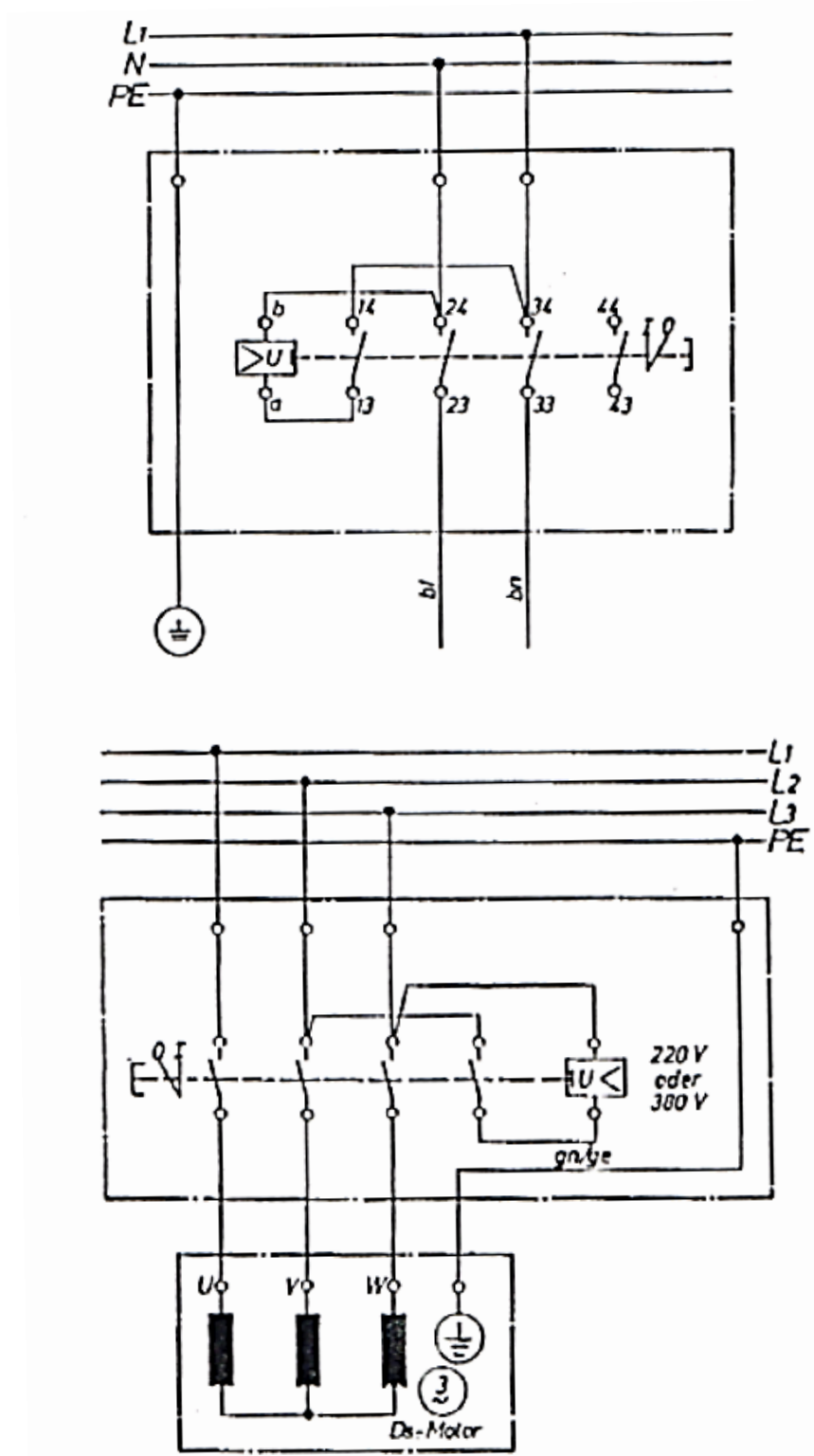
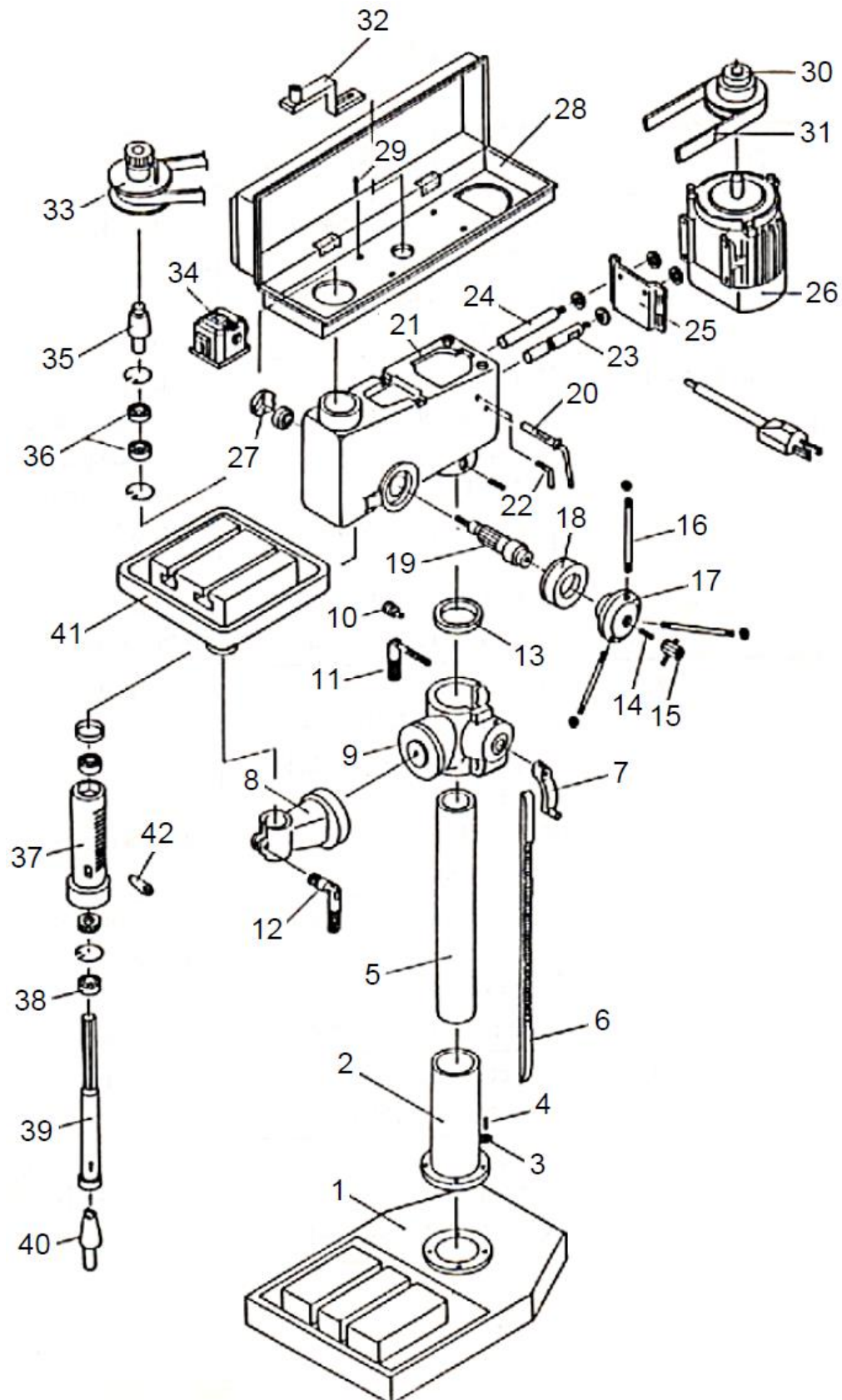


ELECTRICAL DIAGRAMS



EXPLODED VIEW





PARTS LIST

Item No.	Part Description
1	Base
2	Flange
3	Washer
4	Screw
5	Column
6	Rack
7	Handle
8	Table Arm
9	Table Bracket
10	Worm
11	Clamp Bolt
12	Clamp Bolt
13	Collar
14	Screw
15	Clamp Bolt
16	Handle
17	Feed Head
18	Scale Sleeve
19	Feed Shaft
20	Belt Adjust Handle
21	Head

Item No.	Part Description
22	Wing Bolt
23	Rod – A
24	Rod – B
25	Motor Plate
26	Motor
27	Spring & Cup
28	Pulley Cover
29	Screw
30	Motor Pulley
31	Belt
32	Rod Support
33	Spindle Pulley
34	Switch
35	Insert Pulley
36	Bearing
37	Quill
38	Bearing
39	Spindle
40	Arbor
41	Table
42	Wedge

Please contact factory for current prices.

ORDERING INFORMATION

Parts are available for direct purchase from Dake or through a distributor. When placing a parts order, you will need to provide the part number, name of part, and model number. All parts shipped F.O.B. Factory in Grand Haven, MI