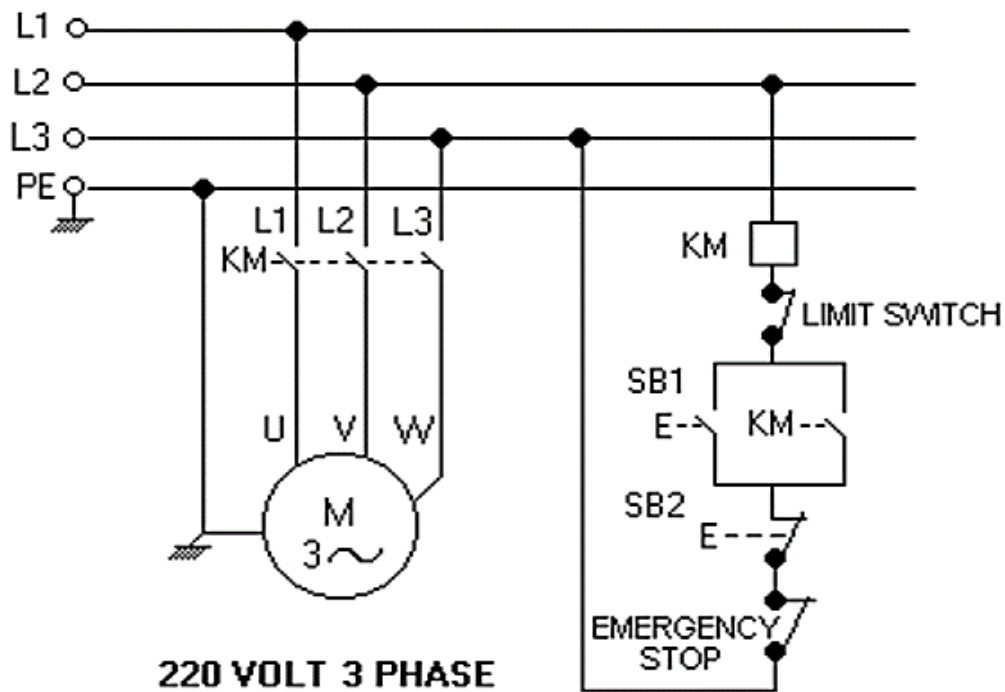
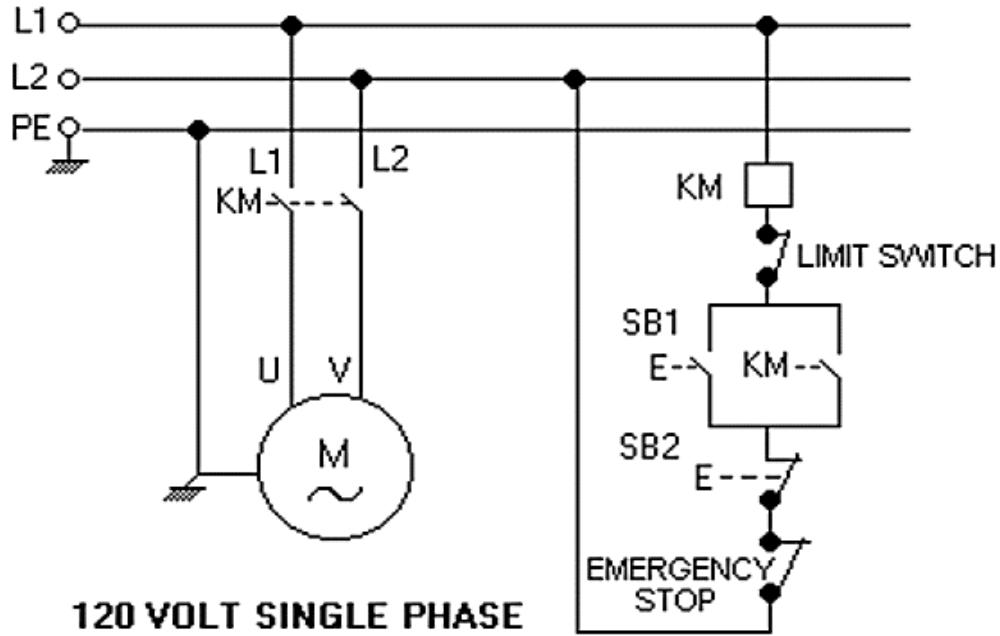
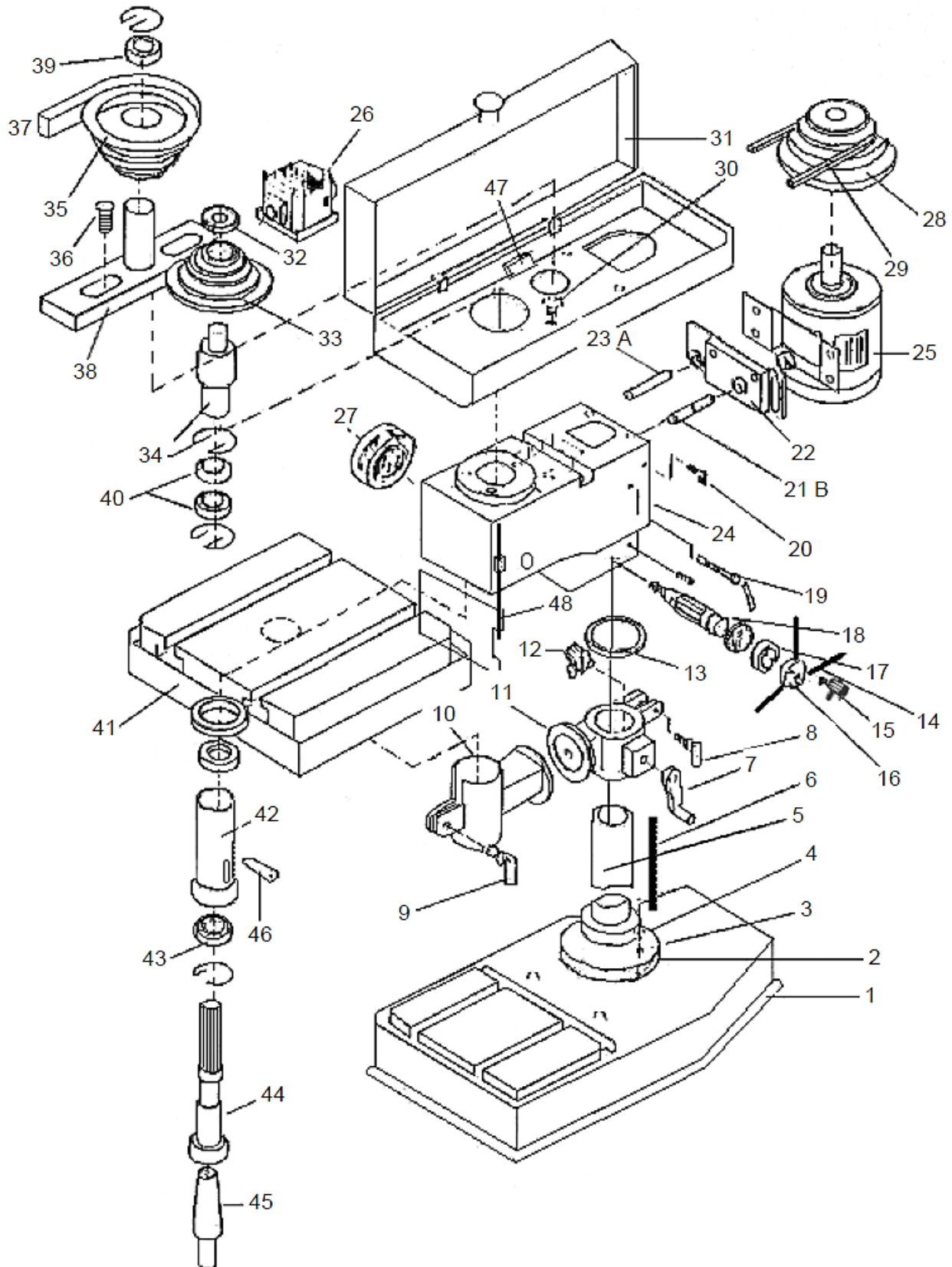


ELECTRICAL DIAGRAMS



EXPLODED VIEWS & PART LISTS

TB-16 & SB-16:



TB-16 & SB-16:

Item No.	Part Description	Model Number:	
		TB-16	SB-16
1	Base	301002	301001
2	Flange	301003	301004
3	Spring Washer (4x)	13mm	13mm
4	Screw (M13 x 16mm L)	300999	300999
5	Column	301005	301006
6	Rack	301007	301007
7	Handle	301008	301008
8	Clamp Bolt	301009	301009
9	Clamp Bolt	301010	301010
10	Table Arm	301011	301011
11	Table Bracket	301012	301012
12	Worm	301056	301056
13	Collar	301013	301013
14	Feed Handle (3x)	301014	301014
15	Lock Handle	301070	301070
15A	Lock Screw	302818	302818
16	Feed Head	301016	301016
17	Spindle Scale	301017	301017
18	Feed Shaft	301018	301018
19	Belt Adjust Handle	301019	301019
20	Wing Bolt (M10 x 35mm L)	301077	301077
21	Road – B	301022	301022
22	Motor Plate	301021	301021
23	Road – A	301020	301020
24	Head	301023	301023
25	Motor	300993	300993
26	Switch	301024	301024
27	Spring & Cap Base	301025	301025
28	Motor Pulley	301026	301026
29	Belt A28	301027	301027
30	Screw (4x)	300998	300998
31	Pulley Cover	301028	301028
32	Insert Pulley Nut	301029	301029
33	Spindle Pully	301030	301030

Item No.	Part Description	Model Number:	
		TB-16	SB-16
34	Insert Pulley Shaft	301031	301031
35	Middle Pulley	301032	301032
36	Screw & Spring (2x)	301033	301033
37	Belt A23	301093	301093
38	Middle Pulley Shaft	301034	301034
39	Bearing 6203Z	300987	300987
40	Bearing 6203Z	300987	300987
41	Table	301035	301035
42	Quill (1.85")	301036	301036
43	Bearing 6003Z	300988	300988
44	Spindle	301037	301037
45	Arbor	301038	301038
46	Wedge	301039	301039
47	Belt Cover Interlock Switch	300992	300992
48	Plexiglass Chuck Guard	300997	300997
N/A	Chuck (13mm)	301870	301870
N/A	Key (13mm)	301968	301968

Please contact factory for current prices.

ORDERING INFORMATION

Parts are available for direct purchase from Dake or through a distributor. When placing a parts order, you will need to provide the part number, name of part, and model number. All parts shipped F.O.B. Factory in Grand Haven, MI