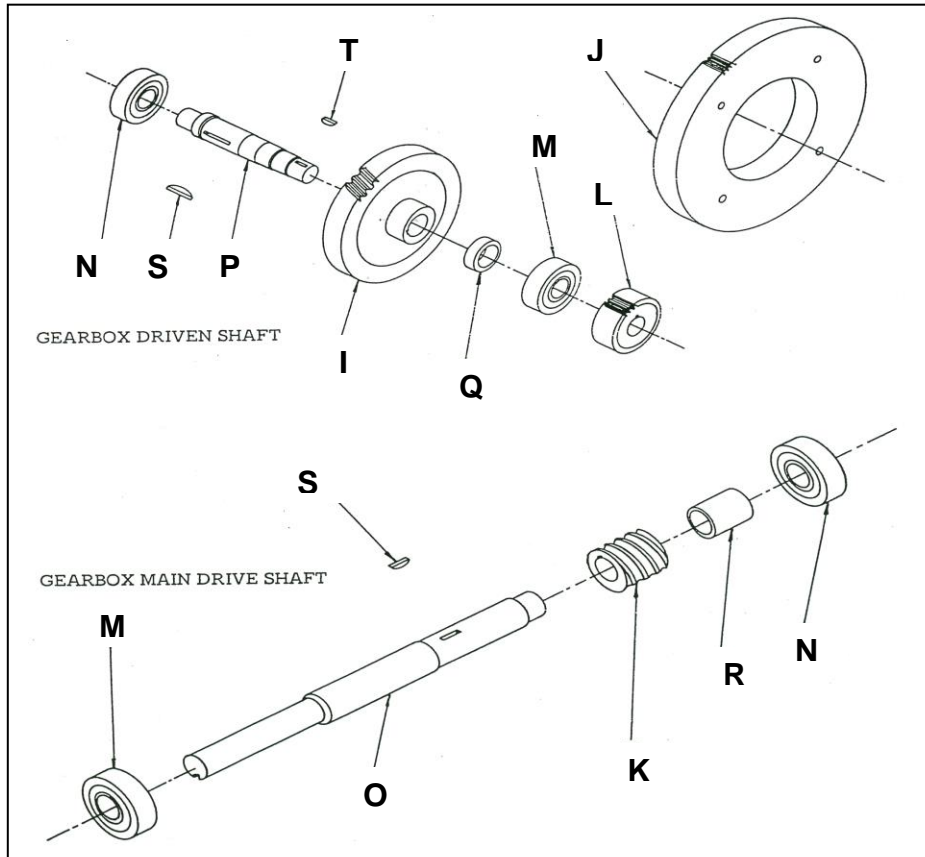
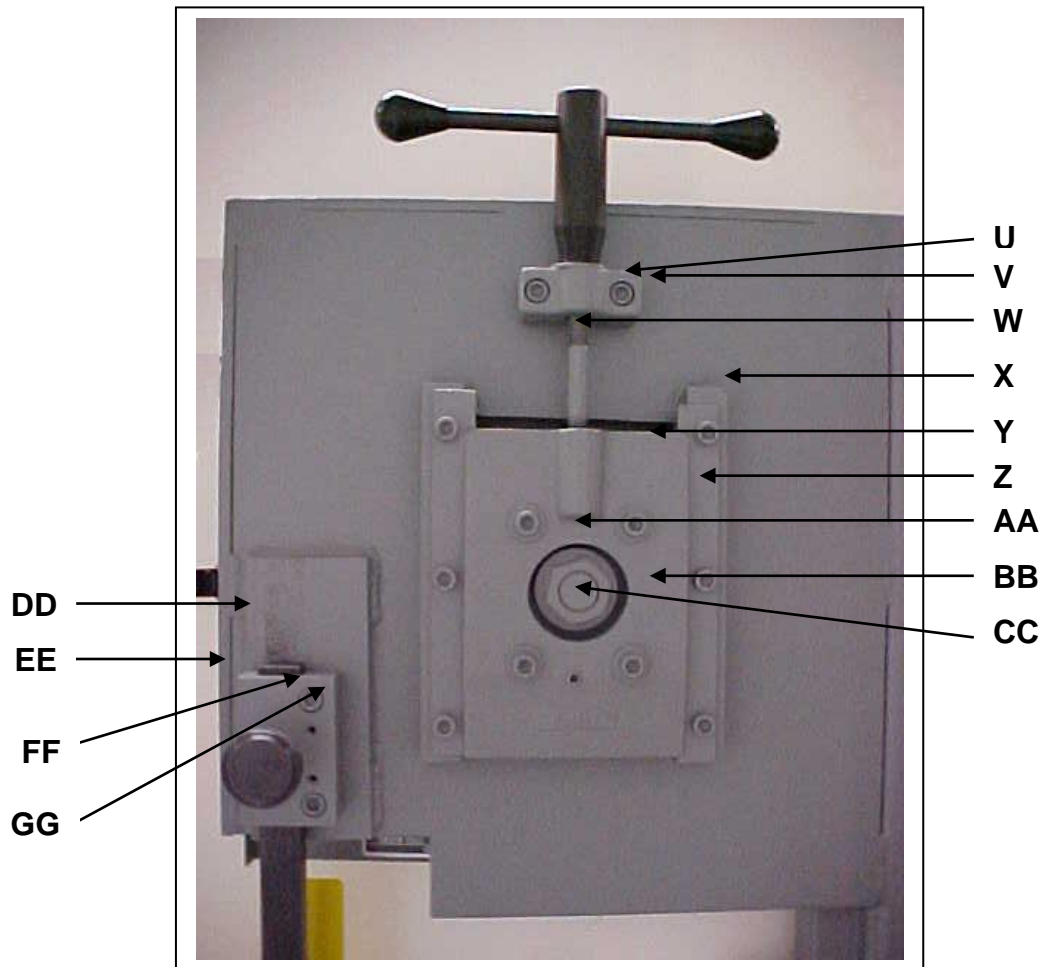


Item	Part Number	Description	Quantity
A	716716	Tension Handle Assembly	1
B	86747M	Door Latch	1
C	716714	C-Clamp Assembly	1
D	716703	Angle Plate with Pin	1
E1	716815	Complete Electrical Kit – 1 ph 110 volt	1
E2	716816	Complete Electrical Kit – 1 ph 220 volt	1
E3	716817	Complete Electrical Kit – 3 ph 220 volt	1
E4	716818	Complete Electrical Kit – 3 ph 460 volt	1
F	86782	Return Handle	1
G	300450	Knob, Return Handle	1
H	716725	Caster Set - Optional	1
I	87093M	Blade Guard	1

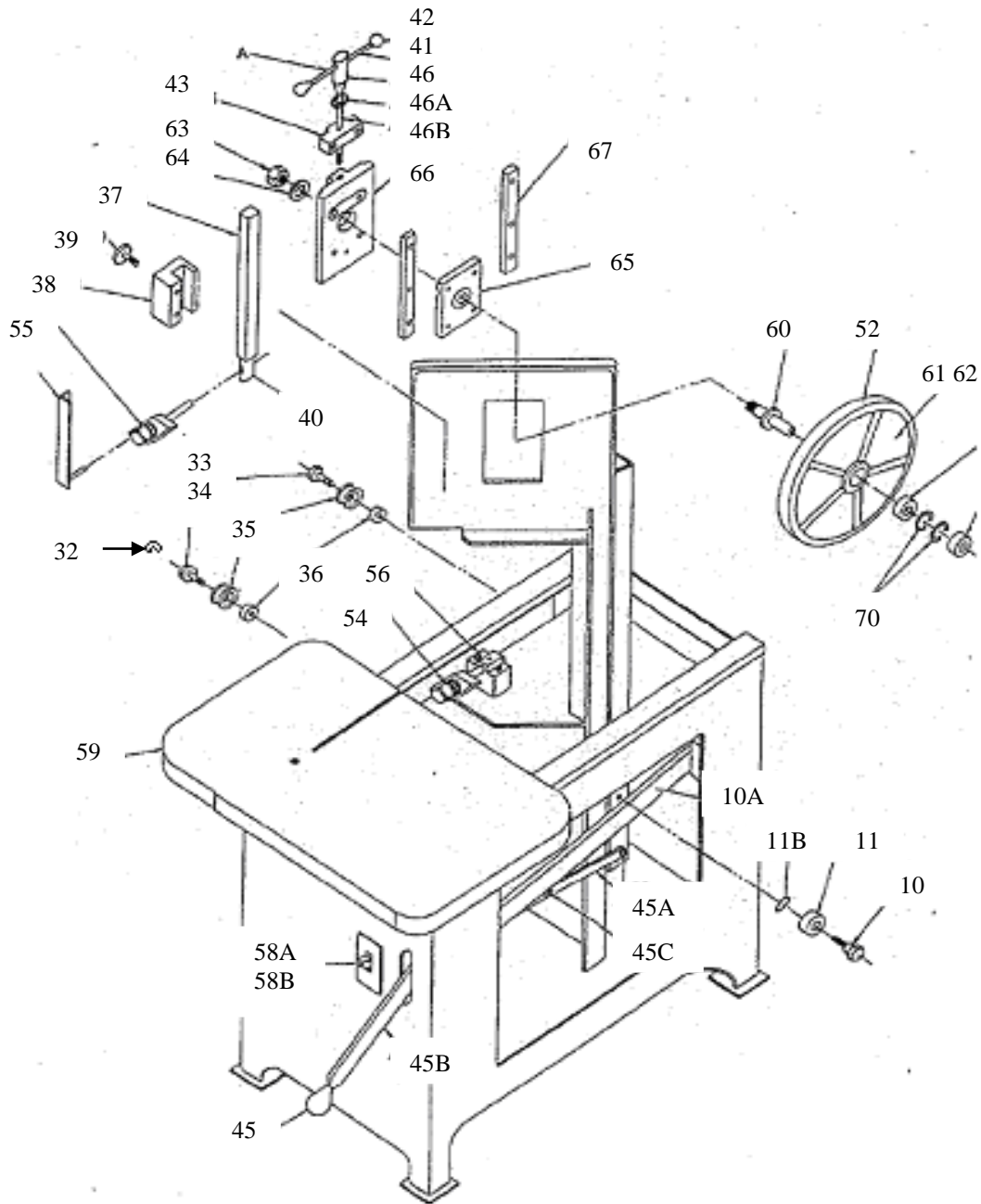
## GEARBOX ASSEMBLY



Item	Part Number	Description	Quantity
	<b>716712</b>	<b>Gearbox Assembly</b>	<b>1</b>
	300472	Bearing, Seal	2
	300490	Gasket, Gearbox	1
	300491	Gasket, Gearbox	4
	300589	Dowel Pin 3/16 x 1/2	2
	43412	Screw, Soc Cap	16
	43414	Screw, Soc Cap	6
	43590	Screw, Soc Set	3
	86820	Bearing Cover, Small/hole	2
	86821	Bearing Cover, Small	2
	86822	Gearbox Casting	1
	86823	Cover, Gearbox	1
I	300666	Gear, Worm 40T Bronze	1
J	86784	80 Tooth Gear	1
K	300456	Worm, 4-Lead	1
L	300646	24 Tooth Gear	1
M	5072-00	Bearing, Gearbox	2
N	5073-00	Bearing, Gearbox	2
O	86785	Shaft, Main Drive	1
P	86781	Axle, Gearbox-Short	1
Q	86783	Spacer, Gearbox 1-1/4" O.D.	1
R	86786	Spacer, Gearbox 1" O.D X 3/4 I.D. X 1-1/8 LONG	1
S	300449	Key, Woodruff #13	2
T	300451	Key, Woodruff #5	1



Item	Part Number	Description	Quantity
U	43450	Cap Screw	2
V	86827	Wheel Slide Tension Mounting block	1
W	10117-00	Tension Screw	1
X	43447	Cap Screw	6
Y1	86824	Wheel Slide – External piece	1
Y2	86825	Wheel Slide Adjustment – Internal piece	1
Z	86826	Rail Wheel Slide	2
AA1	43922	Nut	1
AA2	43638	Washer	1
BB1	43452	Soc Cap Screw 3/8-16 x 1-3/4	4
BB2	43632	Washer 5/16" flat	4
CC	43591	Set Screw 3/8-16 x 1	1
DD	86810	Guide Bar Holder	1
EE	300832	Knob Assembly 1-1/2"	1
FF	70287	Roll pin	2
GG	43451	Cap Screw	2



Not Pictured	86806B	Insert Brass Contour Large, 1/2"
Not Pictured	86807B	Insert Brass Contour Small, 1/4"
Not Pictured	86792	Contour Guides (Casting)
Not Pictured	86808	Holder Contour Insert
Not Pictured	86806A	Carbide Inserts, Set of 2, 1/2"
Not Pictured	86807B	Carbide Inserts, Set of 2, 1/4"
Not Pictured	86833	Counterweight Casting
Not Pictured	86831	Counterweight Fulcrum
Not Pictured	86834	Counterweight Lever Link
Not Pictured	716709	Cylinder Hydraulic Complete - OLD STYLE before 9/27/02 - OBSOLETE - Must retrofit New Style 716769
Not Pictured	716769	Cylinder Hydraulic - NEW STYLE with retro-fit kit. Ater 9/28/02
Not Pictured	86842	Cylinder, Hydraulic Eye Bolt - OLD STYLE

Not Pictured	300505	Cylinder, Hydraulic Reservoir (1 oz) - OLD STYLE
Not Pictured	300510	Cylinder, Hydraulic Reservoir (2 oz) - OLD STYLE
Not Pictured	716754	Cylinder Rebuilt Kit - OLD STYLE
Not Pictured	n/a	Cylinder Rebuild Kit - NEW STYLE
Not Pictured	300598	Cylinder, Hydraulic Shoulder bolt - OLD STYLE
Not Pictured	300529	Electric Cord Set with Plug
Not Pictured	86836	Excentric Roller Gravity Feed
<b>10</b>	86816	Stud Flat Track
<b>10A</b>	86852	Flat Track Rail
<b>11</b>	300471	Bearing Flat Track W204
<b>11A</b>	86839	Flat Track Roller Spacer
<b>32</b>	300477	E-Clip
<b>33</b>	86837	Stud Lever Weight
<b>34</b>	86819	Stud Grooved Roller
<b>35</b>	716706	Roller With Groove and Bearing
<b>36</b>	86838	Spacer Gravity Feed (3/8)
<b>37</b>	86815	Guide Support Bar - <b>STD</b>
<b>37</b>	86817	Guide Support Bar - <b>XC, SXC</b>
<b>38</b>	86810	Holder Guide Bar
<b>39</b>	300832	Guide Bar Lock Knob
<b>40</b>	86813	Swivel Guide Support Bar
<b>43</b>	86827	Pillow Block
<b>44</b>	86828	Tension Handle Body
<b>44A</b>	43634	Tension Handle Washer 1/2"
<b>44B</b>	86830	Screw Tension
<b>45</b>	300450	Knob Return Handle
<b>45A</b>	86841	Link Return Handle
<b>45B</b>	86782	Handle Return
<b>45C</b>	43777	Return Handle Shoulder Bolt 1/2 x 1/2
<b>45D</b>		Return Handle Axle Bolt - 1/2-13 x 3" SHCS
<b>45E</b>	86839	Spacer Return Handle (1/4)
Not Pictured	86798	Axle, Motor Mounting
Not Pictured	86800	Block Motor Mounting
<b>52</b>	300459	Band Blade Wheel Rubber Tire
<b>53</b>	10025-01	Bearing Roll Guide
<b>54</b>	87087	Roll Guide 1"
<b>54</b>	86809	Roll Guide 3/4"
<b>54A</b>	716717	Upper/Lower Roll Guide Assembly w/Bearing,Holder,Guide,Screw
<b>55</b>	86811	Holder Guide Rollers / housing
<b>56</b>	86805	Holder Guide Roll / Pillow Block
<b>56A</b>	86814	Excentric Top Guide
<b>56B</b>	86812	Pin Guide Lower Rolls
<b>57</b>	86791	Stop Frame
Not Pictured	300832	Knob, Stop Weight
<b>59</b>	86796	Tables-Raw
<b>60</b>	86803	Axle Lower & Upper Wheel
<b>62</b>	86795	Wheel Blade Lower
<b>63</b>	78650	Washer
<b>64</b>	300651	Nut
<b>65</b>	300693	Wheel Bearing (6205)

<b>66</b>	86824	Wheel Slide
<b>67</b>	86826	Rail Wheel Slide
<b>68</b>	86825	Shield Slide Adjustment Rocker
<b>69</b>	86804	Stud Upper & Lower Wheel
<b>70</b>	300466	Retaining Ring Blade Wheel
Not Pictured	87065A	Wheel Guard
Not Pictured	300685	Pulley Guard Assembly
Not Pictured	300522	V-Belt
Not Pictured	43632	Washer Angle Plate
Not Pictured	86835	Lever Link Weight

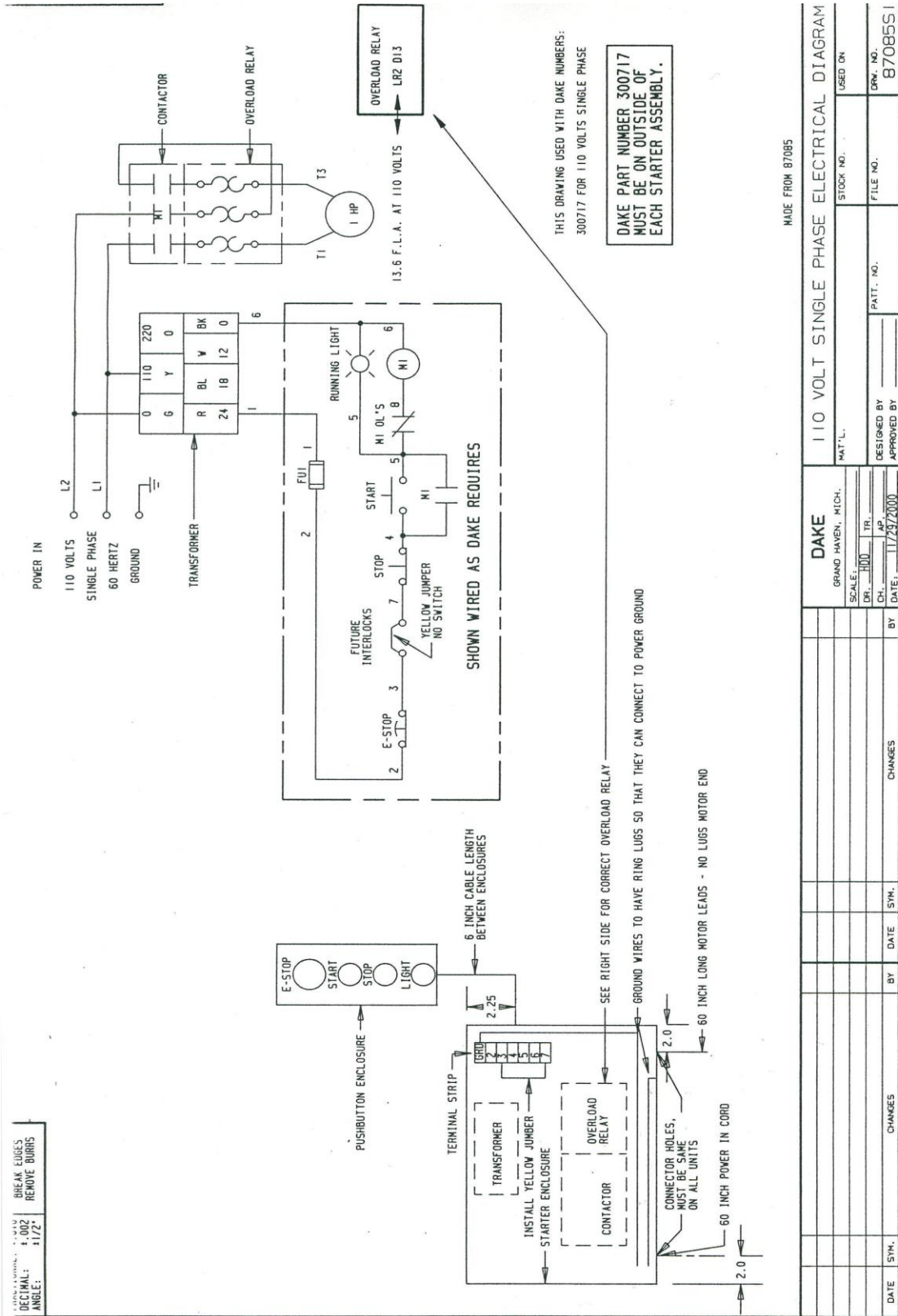
**110 Volt – Single phase @ 14 Amps**

**220 Volt – Single phase @ 7.5 Amps**

**230 Volt – Three phase @ 4 Amps**

**460 Volt – Three phase @ 2 Amps**

# 110 Volt Single Phase



APPROXIMATE BREAK EDGES  
DECIMAL: .002 REMOVE DIMS  
ANGLE: 1/2°

DAKE		GRAND HAVEN, MICH.	
SCALE: 1/8" = 1"	TR.	STOCK NO.	USED ON
DR. 100	TR.	FILE NO.	87085S1
CH. 11/29/2000	AP.	PATT. NO.	
DATE: 11/29/2000	BY	DESIGNED BY	APPROVED BY
CHANGES	BY	DATE	SYN.
CHANGES	BY	DATE	SYN.









