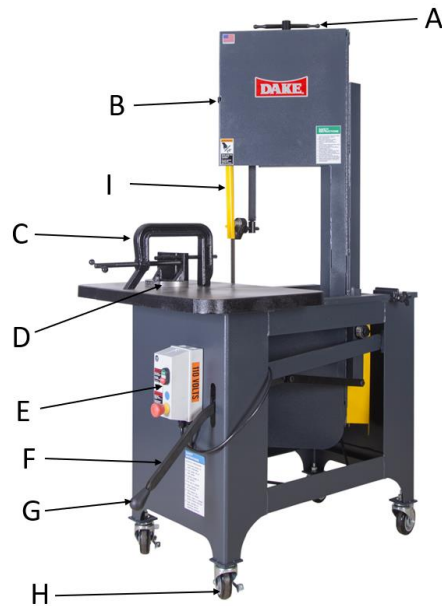
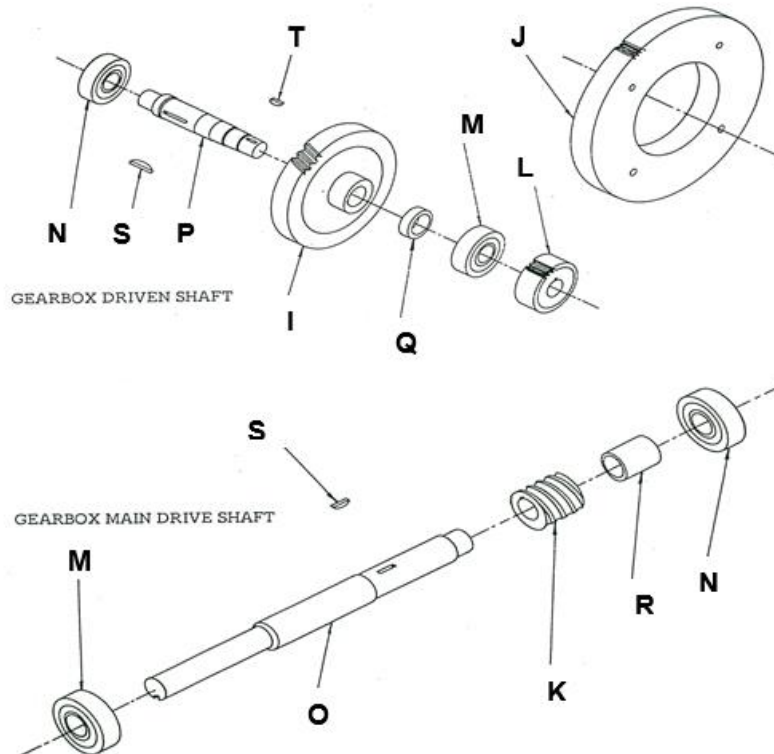


## EXPLODED VIEWS & PARTS LISTS

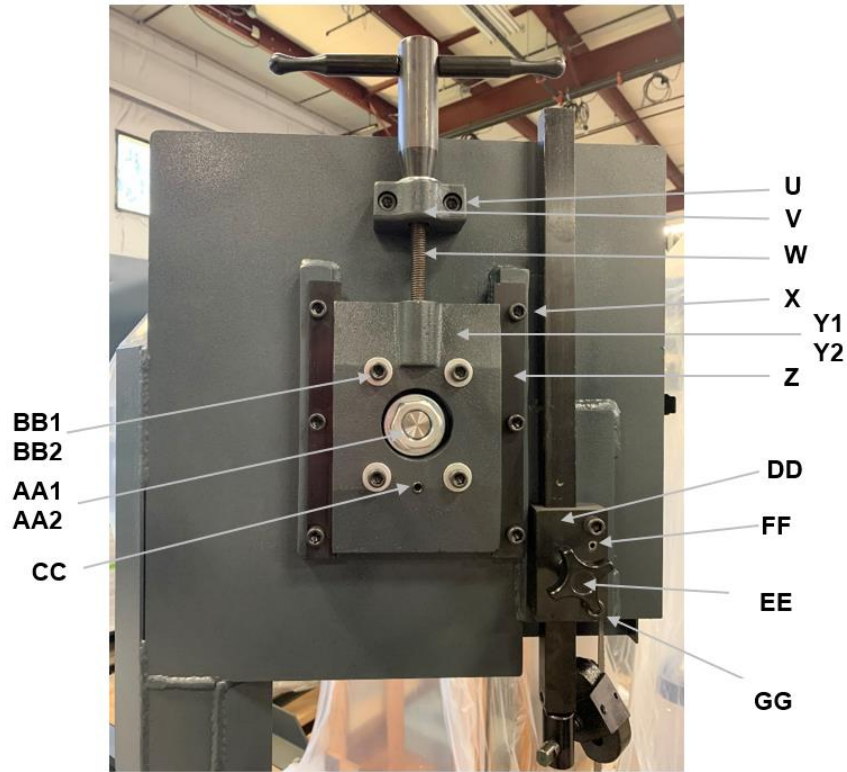


Item	Part Number	Description	Qty
A	716716	Tension Handle Assembly	1
B	86747	Door Latch	1
C	716714	C-Clamp Assembly	1
D	716703	Angle Plate with Pin	1
E1	716815	New Style Complete Electrical Kit – 1 ph 110 volt	1
E2	716816	New Style Complete Electrical Kit – 1 ph 220 volt	1
E3	716817	New Style Complete Electrical Kit – 3 ph 230 volt	1
E4	716818	New Style Complete Electrical Kit – 3 ph 460 volt	1
F	86782	Return Handle	1
G	300450	Knob, Return Handle	1
H	716725	Caster Set - Optional	1
I	87093	Blade Guard	1

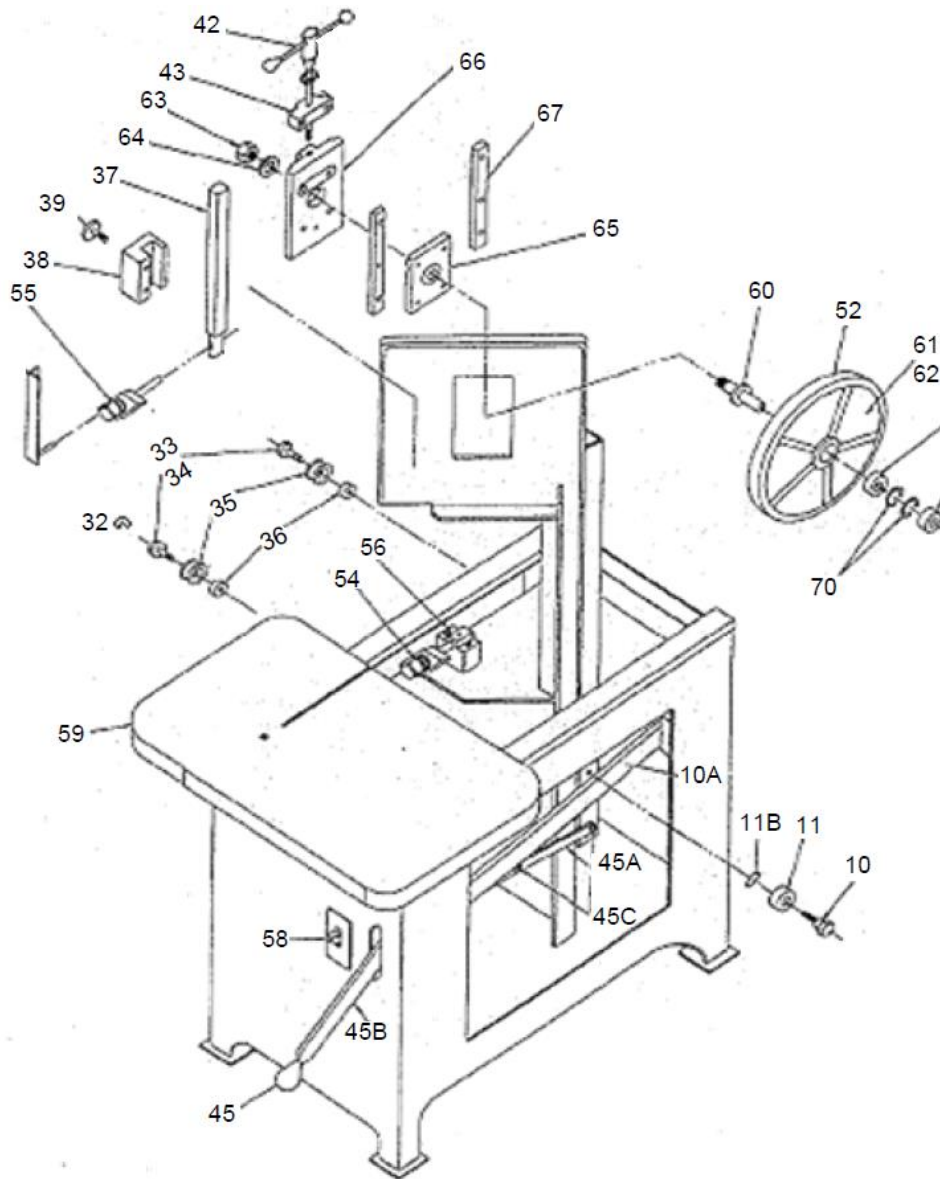
## Gear Assembly Parts List



Item	Part Number	Description	Quantity
	<b>716712A</b>	<b>Gearbox Assembly – 5/8" Pulley Bore – Newer Style 2022</b>	1
	<b>716712</b>	<b>Gearbox Assembly – 3/4" Pulley Bore – Older Style</b>	
	300472	Bearing, Seal	2
	300490	Gasket, Gearbox	1
	300491	Gasket, Gearbox	4
	300589	Dowel Pin 3/16 x 1/2	2
	43412	Screw, Soc Cap	16
	43414	Screw, Soc Cap	6
	43590	Screw, Soc Set	3
	86820	Bearing Cover, Small/hole	2
	86821	Bearing Cover, Small	2
	86822	Gearbox Casting	1
	86823	Cover, Gearbox	1
I	300666	Gear, Worm 40T Bronze	1
J	86784	80 Tooth Gear	1
K	300456	Worm, 4-Lead	1
L	300646	24 Tooth Gear	1
M	5072-00	Bearing, Gearbox	2
N	5073-00	Bearing, Gearbox	2
O	86785AP	Shaft, Main Drive – 5/8" Pulley Bore – Newer Style 2022	1
O	86785P	Shaft, Main Drive – 3/4" Pulley Bore – Older Style	1
P	86781P	Axle, Gearbox-Short	1
Q	86783	Spacer, Gearbox 1-1/4	1
R	86786	Spacer, Gearbox	1
S	300449	Key, Woodruff #13	2
T	300451	Key, Woodruff #5	1



Item	Part Number	Description	Quantity
U	43450	Cap Screw	2
V	86827	Wheel Slide Tension Mounting block	1
W	10117-00	Tension Screw	1
X	43447	Cap Screw	6
Y1	86824	Wheel Slide – External piece	1
Y2	86825	Wheel Slide Adjustment – Internal piece	1
Z	86826	Rail Wheel Slide	2
AA1	43922	Nut	1
AA2	43638	Washer	1
BB1	43452	Soc Cap Screw 3/8-16 x 1-3/4	4
BB2	43632	Washer 5/16" flat	4
CC	43591	Set Screw 3/8-16 x 1	1
DD	86810	Guide Bar Holder	1
EE	300832	Knob Assembly 1-1/2"	1
FF	70287	Roll pin	2
GG	43451	Cap Screw	2



Item	Part Number	Description	Quantity
N/A	86806B	Contour Insert, Brass, Large (1/2")	1
N/A	86807B	Contour Insert, Brass, Small (1/4")	-
N/A	86792	Contour Guides (Casting)	-
N/A	86808	Contour Insert Holder	-
N/A	86806A	Carbide Inserts, Set of 2 (1/2")	-
N/A	86807A	Carbide Inserts, Set of 2 (1/4")	-
N/A	716723	Counterweight Assembly	1
N/A	86832	Feedweight	1
N/A	716709	Hydraulic Cylinder – OLD STYLE – Machines before 9/27/02. OBSOLETE – Must retrofit new style 716769	-
N/A	300867A	Hydraulic Cylinder – NEW STYLE with retrofit kit. For machines after 9/27/02.	-
N/A	300505	Reservoir, Hydraulic Cylinder (1oz.) OLD STYLE	-
N/A	300510	Reservoir, Hydraulic Cylinder (2oz.) OLD STYLE	-
N/A	716754	Cylinder Rebuild Kit – OLD STYLE	-

N/A	300598	Shoulder Bolt, Hydraulic Cylinder	-
N/A	86836	Eccentric Roller Gravity Feed	2
10	86816	Stud Flat Track	1
10A	86852	Flat Track Rail	1
11	300471	Bearing Flat Track W204	1
11A	86839	Flat Track Roller Spacer	1
32	300477	E-Clip	1
33	86837	Stud Lever Weight	1
34	86819	Stud Grooved Roller	1
35	716706	Roller with Groove & Bearing	1
36	86838	Spacer Gravity Feed (3/8)	2
37	86815	Guide Support Bar – <b>STD</b>	-
37	86817	Guide Support Bar – <b>SXC, XC (Current)</b>	1
38	86810	Guide Bar Holder	1
39	300832	Guide Bar Lock Knob	2
40	86813	Swivel Guide Bar Support	1
42	716716	Tension Handle Assembly	1
43	86827	Pillow Block	1
44	86828	Tension Handle Body	1
44A	43634	Tension Handle Washer	1
44B	10117-00	Tension Screw	1
45	300450	Return Handle Knob	1
45A	86841	Return Handle Link	1
45B	86782	Return Handle	1
45C	43777	Return Handle Shoulder Bolt (1/2 x 1/2)	3
45D	24565	Return Handle Axle Bolt (1/2-13 x 3" SHCS)	-
45E	86839	Return Handle Spacer (1/4)	2
N/A	86798	Motor Mounting	1
N/A	86800	Motor Mounting Block	2
52	300459	Band, Blade Wheel	2
53	10025-01	Roll Guide Bearing	4
54	87087	Roll Guide (1")	-
54	86809	Roll Guide (3/4")	4
54A	716717	Upper/Lower Roll Guide Assembly (Includes items 53, 54 (3/4"), 55, 56A, and screw)	1
55	86811	Guide Roller Holder	2
56	86805	Guide Roller Pillow Block	1
56A	86814	Eccentric Lower Guide	2
56B	86812	Pin, Lower Guide Rolls	-
57	86791	Frame Stop	1
58	300832	Stop Weight Knob	1
59	86796	Work Table	1
60	86803	Axle, Upper/Lower Wheel	2
62	86795	Blade Wheel	2
63	78650	Washer	2
64	300651	Nut	2
65	300693	Wheel Bearing (6205)	4
66	86824	Wheel Slide	1
67	86826	Rail, Wheel Slide	2
68	86825	Wheel Slide Adjustment	1



69	86804	Stud, Upper/Lower Wheel	2
70	300466	Retaining Ring, Blade Wheel	-
N/A	716705	Wheel Assembly (Includes items: 52, 60, 62, 65 & 69)	2
N/A	87065A	Wheel Guard	1
N/A	10042-10	Motor & Gearbox Pulley - 5/8" Pulley Bore - Newer Style 2022	2
N/A	10043-10	Motor Pulley – 3/4" Pulley Bore – Older Style	1
N/A	300473	Gearbox Pulley – 3/4 Pulley Bore – Older Style	1
N/A	300685	Pulley Guard Assembly	1
N/A	303971	V-Belt – 5/8" Pulley Bore – Newer Style 2022	1
N/A	300522	V-Belt – 3/4" Pulley Bore – Older Style	1
N/A	43632	Washer, Angle Plate	1
N/A	86835	Lever Link Weight	1

## ORDER INFORMATION

- *Please contact factory for current prices*
- Parts are available for direct purchase from Dake or through a distributor. When placing a parts order, you will need to provide the part number, name of part, and model number. All parts shipped F.O.B. Factory in Grand Haven, MI.
- If a customer has any questions or concerns regarding a Dake product that was purchased, please email customer service at [customerservice@dakecorp.com](mailto:customerservice@dakecorp.com)