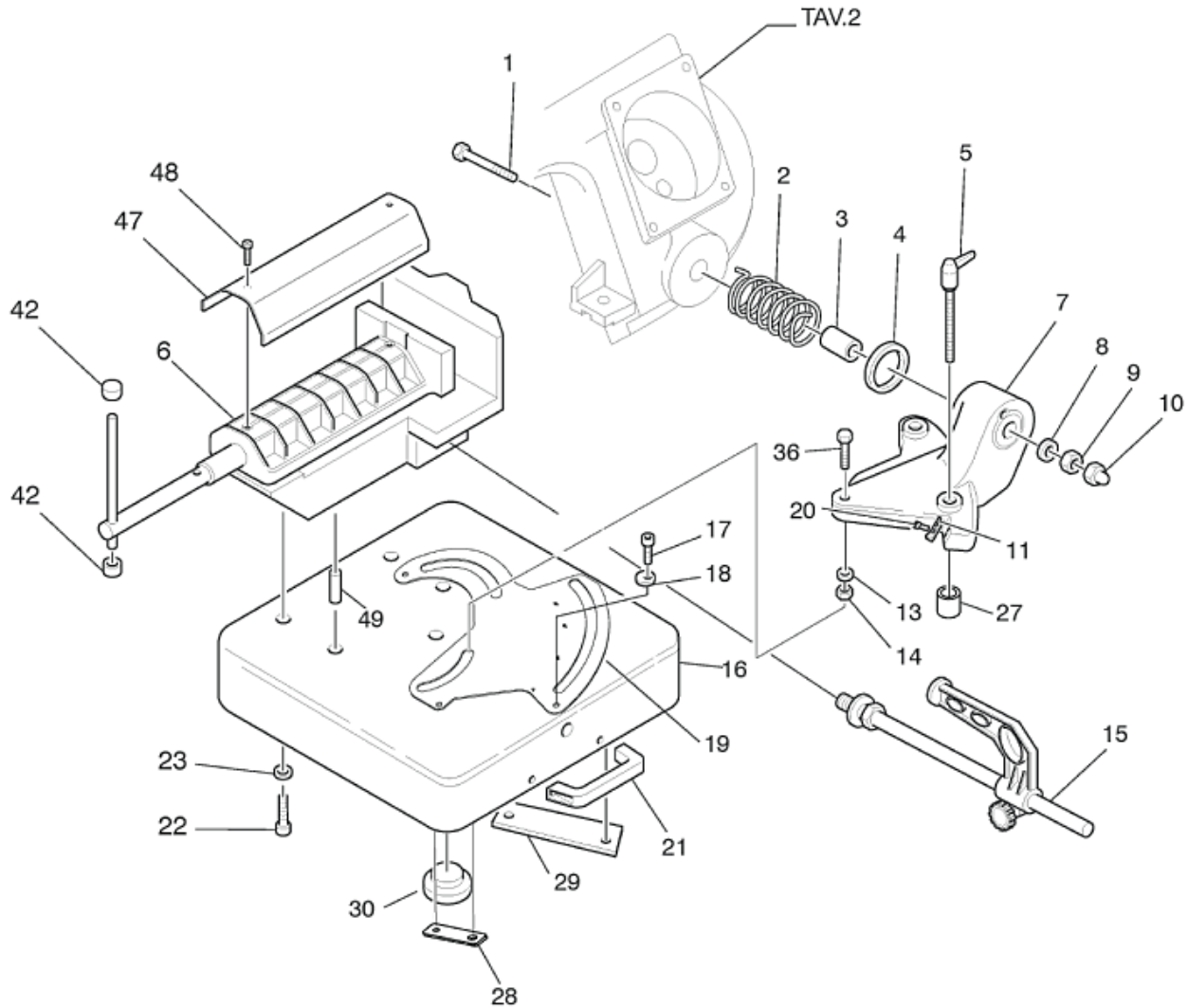
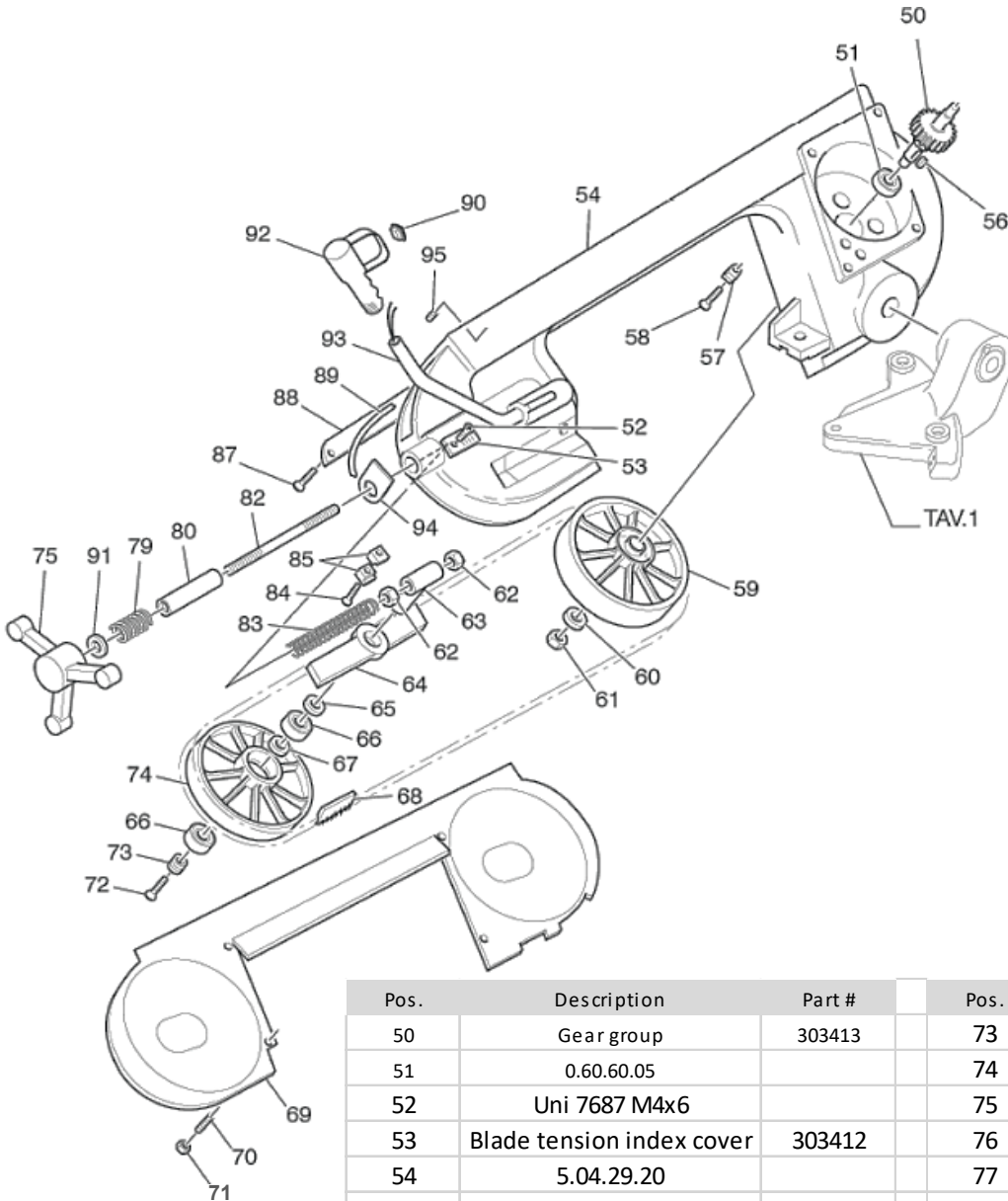


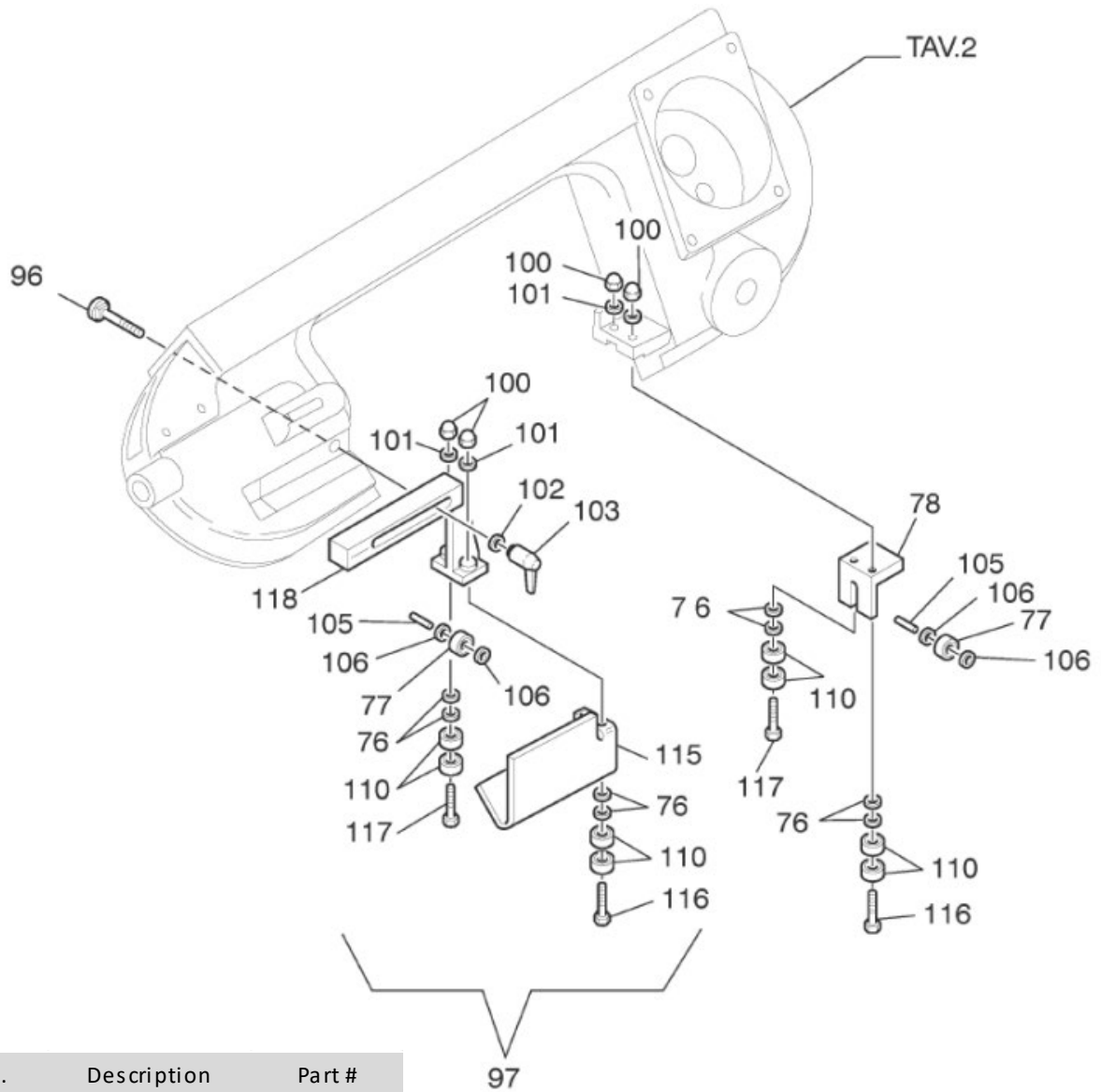
EXPLODED VIEWS & PART LIST



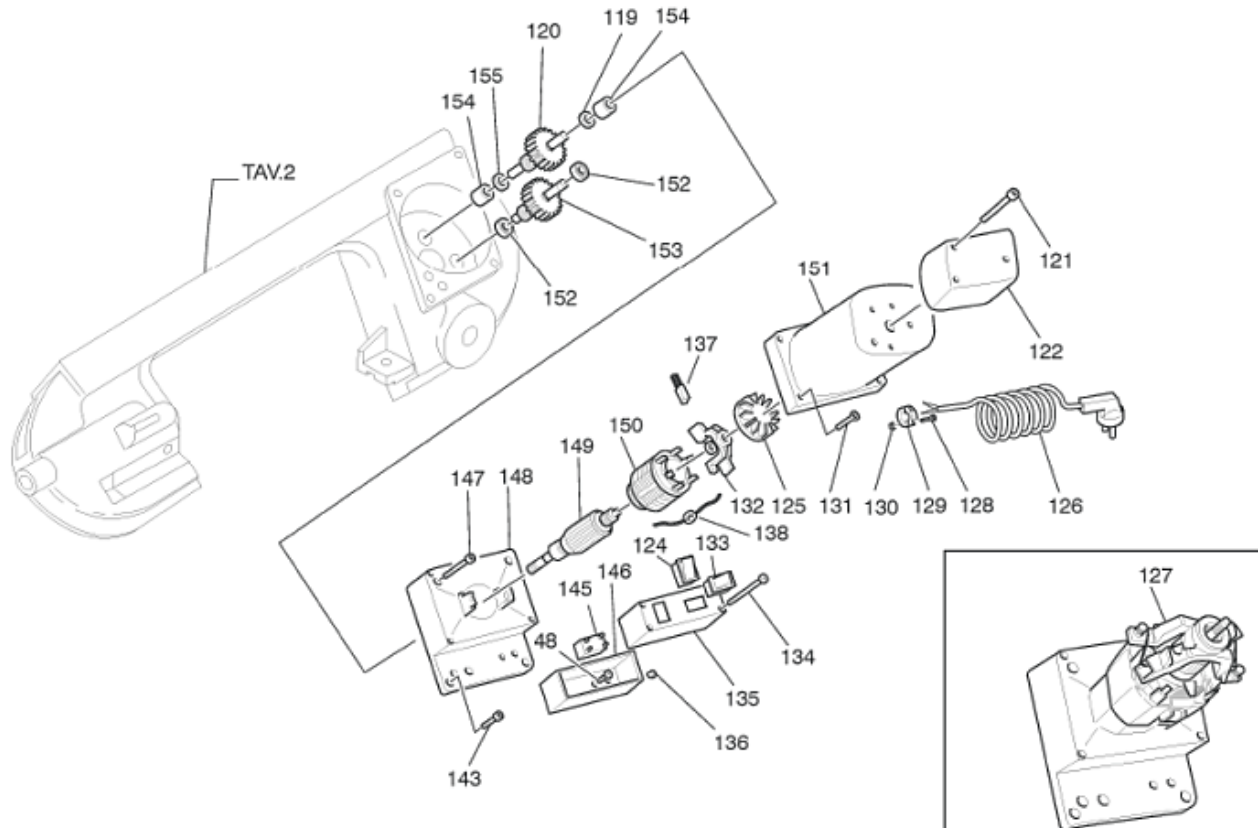
Pos.	Description	Part #	Pos.	Description	Part #
1	Uni 5737 M14x100		17	Uni 5931 M6x16	
2	5.08.01.32		18	5.12.40.29	
3	0.06.30.40		19	5.13.80.42	
4	5.12.40.50		20	0.40.29.05	
5	0.14.70.03		21	0.14.40.03	
6	Complete Vise	303417	22	Uni 5931 M8x25	
7	Swivel Support	303416	23	Uni 6592 Ø8	
8	Uni 6592 Ø14		27	5.06.30.67	
9	Uni 5587 M14		28	5.14.21.05	
10	Uni 5721 M14		29	5.13.77.78	
11	5.15.95.03		30	Rest Foot	303414
13	0.12.07.18		36	5.17.10.87	
14	Uni 7473 M8		42	Vise Handle	303415
15	7.13.05.52		47	5.18.28.28	
16	5.13.38.25		48	0.40.06.05	
			49	0.15.07.01	



Pos.	Description	Part #	Pos.	Description	Part #
50	Gear group	303413	73	5.12.40.47	
51	0.60.60.05		74	5.21.42.22	
52	Uni 7687 M4x6		75	Handwheel	303410
53	Blade tension index cover	303412	76	5.12.06.38	
54	5.04.29.20		77	0.59.06.24	
56	0.15.01.49		78	5.18.17.39	
57	5.15.41.03		79	0.08.02.59	
58	0.40.05.11		80	5.12.20.24	
59	Drive wheel	303411	82	5.10.05.04	
60	Uni 6592 Ø12		83	5.08.10.05	
61	Uni 7474 M12		84	Uni 5933 M5x25	
62	Uni 5588 M10		85	5.13.07.34	
63	5.00.15.58		87	0.40.05.13	
64	5.13.78.08		88	5.18.17.37	
65	0.15.51.49		89	5.87.10.48	
66	0.60.62.04		90	Trigger switch	303409
67	0.15.51.16		91	Uni 6592 Ø10"	
68	3.27.74.02		92	Pull handle	303408
69	5.18.17.36		93	5.14.20.79	
70	Uni 5923 M5x16		94	5.15.95.04	
71	0.10.20.05		95	0.17.99.01	
72	Uni 5933 M8x20				



Pos.	Description	Part #
96	Uni 5731 M8x35	
97	7.13.07.43	
100	Uni 5721 M6	
101	Uni 1751 Ø6	
102	0.12.07.18	
103	Hand lever	303418
105	0.17.40.16	
106	0.12.90.04	
110	Ball bearing	7x19x 6 2RS
115	5.18.16.74	
116	5.10.00.64	
117	5.10.00.65	
118	5.13.07.71	



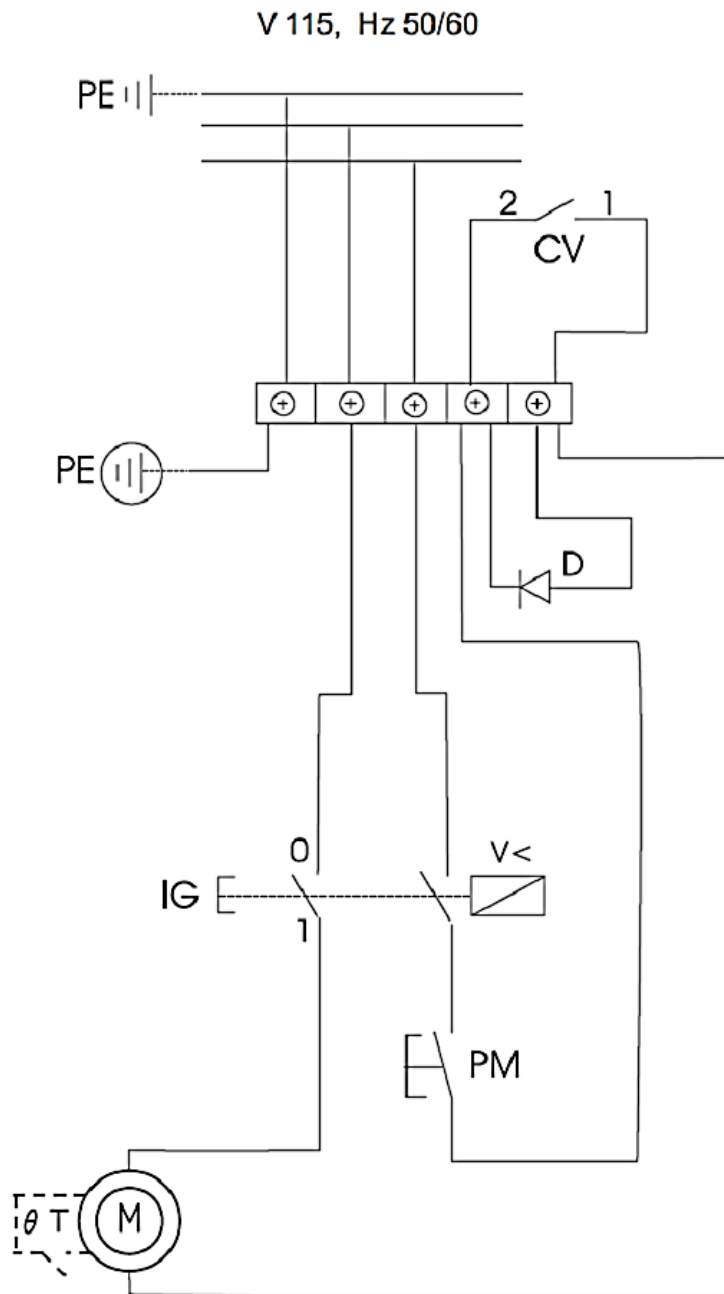
Pos.	Description	Part #	Pos.	Description	Part #
119	5.13.07.71		139		
120	Gear Group	303438	140		
121	0,42,40,60		141		
122	Motor cover	303406	142		
123			143	Uni 5931 M6x16	
124	Speed selector switch	303407	144		
125	Motor fan	303405	145	Diode	303441
126	5.87.10.81		146	5.18.28.23	
127	Complete motor	303442	147	Uni 5931 M6x30	
128			148	5.18.25.09	
129	5.15.45.01		149	7.01.31.49	
130			150		
131	Uni 5931 M5x40		151	5.18.28.39	
132	5.85.00.05		152	Cage bearing	10X14X12
133	Power switch	303404	153	Gear group	303439
134	Uni 6954 P8x45		154	Cage bearing	HK0609B (6X10X9)
135	5.18.25.17		155	5.18.19.34	
136	0.16.85.07		156	5.18.19.35	
137	Motor brushes	303394	157	5.18.10.04	
138	Thermostat	303440	N/A	Free wheel group	303426

Please contact factory for current prices.

ORDERING INFORMATION

Parts are available for direct purchase from Dake or through a distributor. When placing a parts order, you will need to provide the part number, name of part, and model number. All parts shipped F.O.B. Factory in Grand Haven, MI.

ELECTRICAL COMPONENTS



PE	Protection circuit
PM	Run button
Vv	Cutting speed adjustment
FCC	End of cut micro-switch
IG	Magnetic main switch
T	Thermal circuit breaker
M	Motor
D	Electric Diode