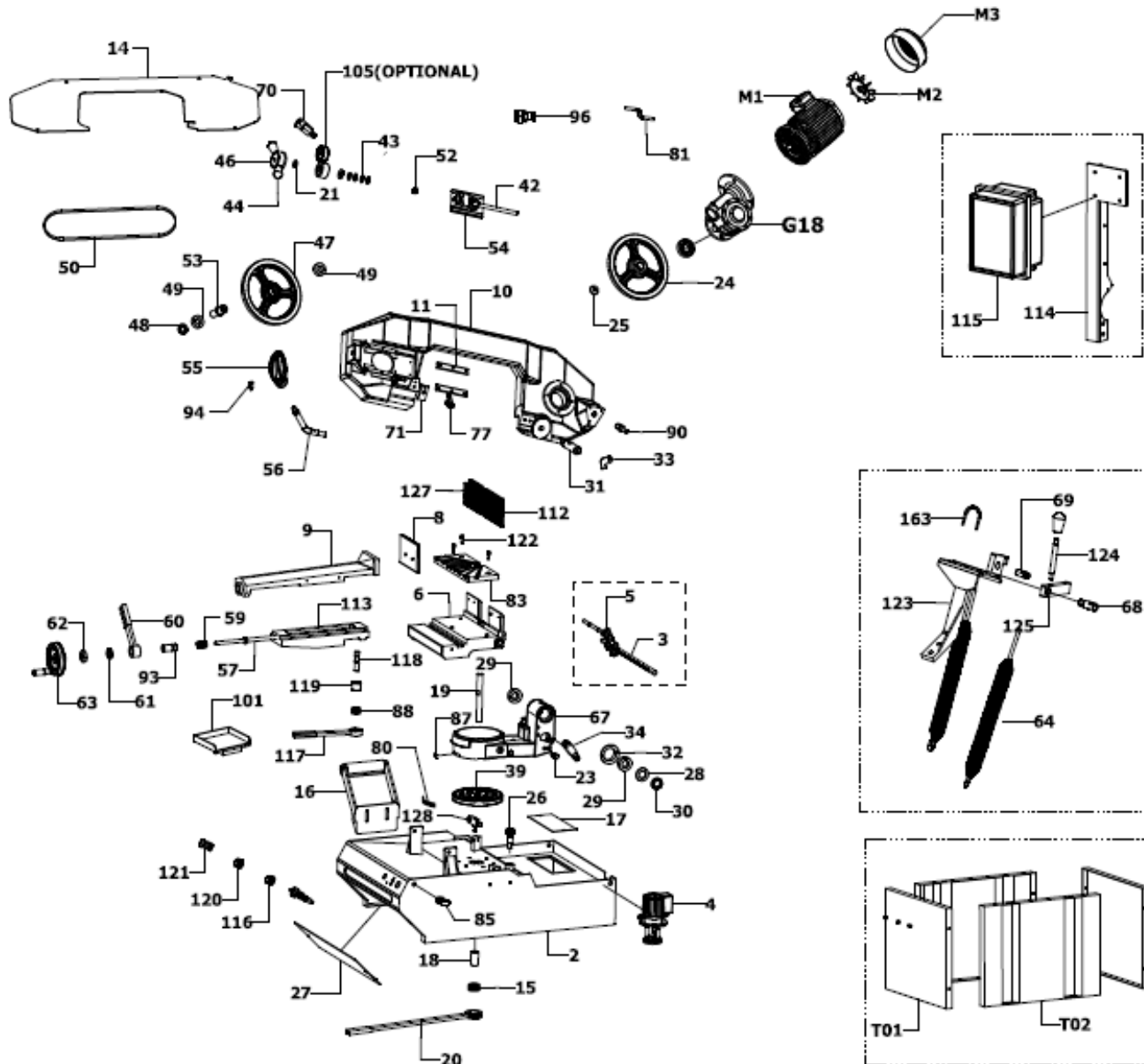
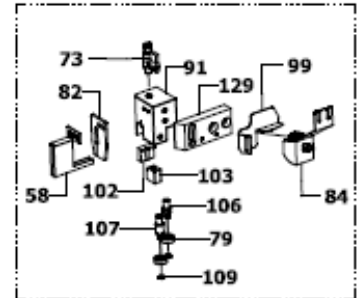
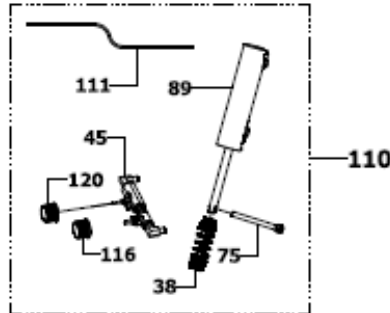
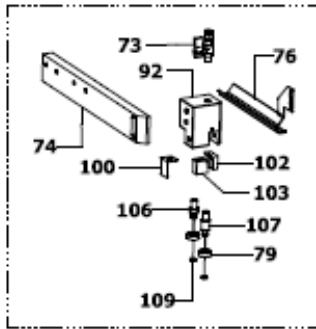


## EXPLODED VIEWS & PART LIST



Item	Description/Ref#	Part #	Item	Description/Ref#	Part #
2	Base	303880	57	5.10.03.59	
3	Stop Rod Bar	303962	58	5.18.19.05	
4	Electric Pump	303479	59	5.08.01.86	
6	5.04.29.12		60	Vise Lever	303883
8	5.15.26.31		61	0.55.14.06	
9	5.13.10.05		62	5.18.25.94	
10	5.04.29.13		63	Knob	303456
11	5.13.10.06		64	Spring	303455
14	Back Blade Cover	303881	67	5.13.38.20	
15	5.10.01.57		68	5.00.20.59	
16	5.13.38.19		69	5.00.20.60	
17	5.18.25.96		70	0.80.12.14	
18	5.06.30.72		71	5.13.10.08	
19	5.10.03.55		73	Coolant Tap	303454
20	Miter Lock Lever	303882	74	5.13.10.09	
21	0.17.18.31		75	5.10.03.60	
23	5.10.03.56		76	5.18.19.26	
24	Drive Wheel	303459	77	5.14.21.12	
25	5.12.40.94		79	0.60.06.08	
26	5.13.10.07		80	5.40.28.02	
27			81	1.72.58.09	
28	5.12.40.95		82	0.24.14.66	
29	0.55.12.04		83	5.15.26.32	
30	5.10.01.59		84	5.18.19.27	
31	5.10.03.57		85	0.13.50.03	
32	5.18.19.25		87	5.40.28.03	
33			88	5.10.03.61	
34	Safety Switch	303961	90	Mounting Shaft	303453
37			91	5.13.10.10	
38	5.08.01.85		92	5.13.10.11	
39	5.06.40.31		93	5.06.30.71	
42	5.17.30.38		94	Microswitch	303434
43	5.08.01.84		96	0.24.14.66	
44	Knob for Tensioning Handle	303963	99	5.18.19.28	
			100	5.18.19.29	
46	Tensioning Handle Complete	303960	101	5.13.38.02	
			102	5.15.51.62	
47	Free Wheel	303458	103	5.15.51.63	
48	5.10.01.60		105	Pressure Indicator	303451
49	0.55.12.03		106	5.10.03.62	
50	3.28.00.56		107	5.10.03.63	
52	0.10.01.16		109	0.15.51.59	
53	5.10.03.58		110	Down Feed Group	303450
54	5.13.09.87		111	5.24.11.12	
55	Handle	303452	112	5.15.26.33	
56	5.14.21.10		113	5.04.29.14	

Item	Description/Ref#	Part #
114	Bracket Elec/Switch	303884
115	Complete Elec. Box	303885
116	Cylinder Switch ON OFF	304085
117	5.14.21.13	
118	5.10.03.64	
119	5.06.30.73	
120	5.14.00.70	
121	0.80.60.35	
123	5.13.40.18	
124	5.10.03.65	
125	5.13.40.19	
127	5.15.26.34	
128	5.15.51.64	
129	5.13.38.22	
163	5.10.03.66	
G18	7.21.10.09	
M1	Motor	303478
M2	Motor Fan	303477
M3	Motor Fan Cover	303476
T01	Stand - Front & Rear	303886
T02	Stand - Right & Left	303887
BLADE	108" x 1" .035 6/8 TPI Lenox Classic	301680
BLADE	108" x 1" .035 10/14 TPI Lenox Classic	302781
BLADE	108" x 1" .035 6/10 TPI	303503

*Please contact factory for current prices.*

## ORDERING INFORMATION

Parts are available for direct purchase from Dake or through a distributor. When placing a parts order, you will need to provide the part number, name of part, and model number. All parts shipped F.O.B. Factory in Grand Haven, MI.