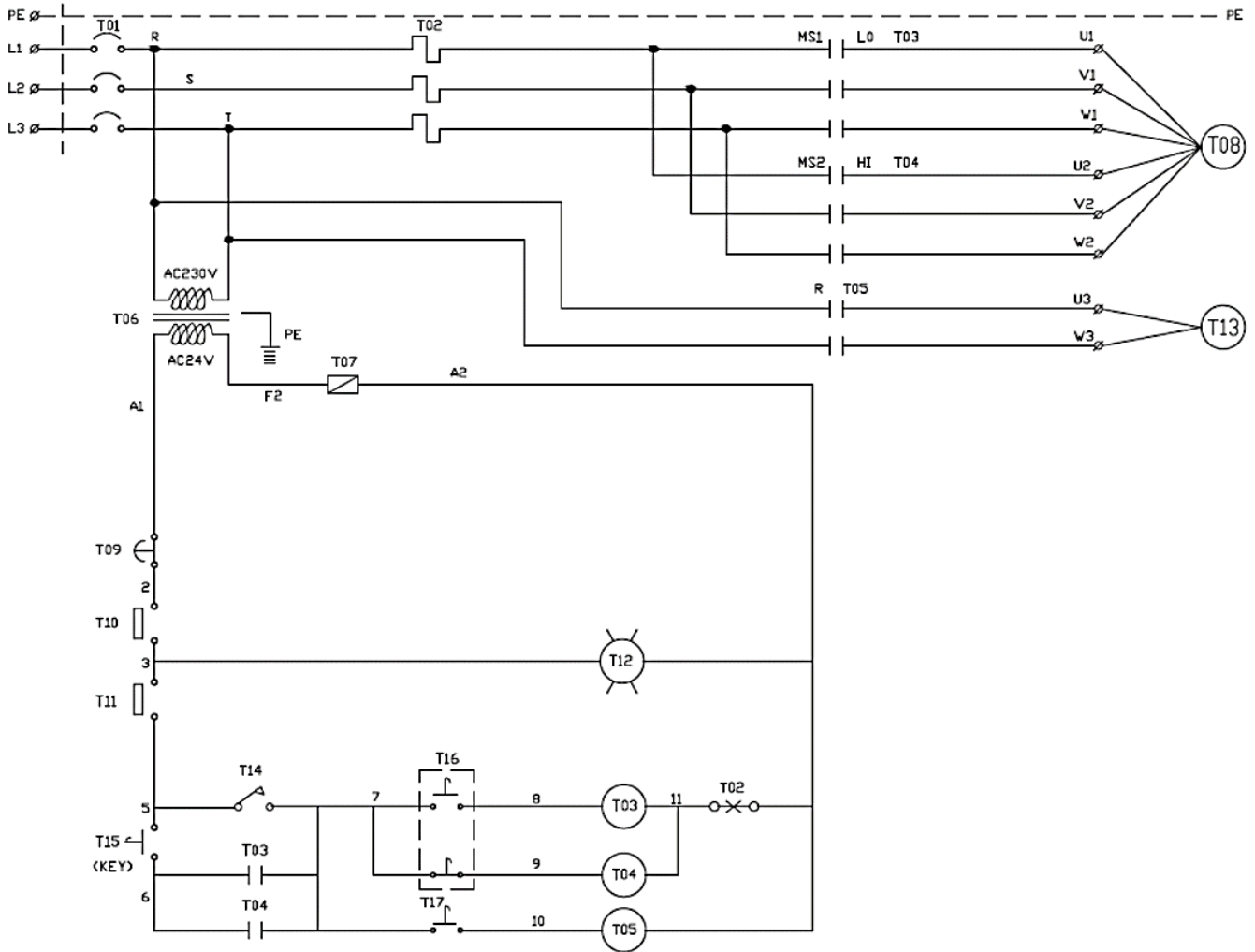
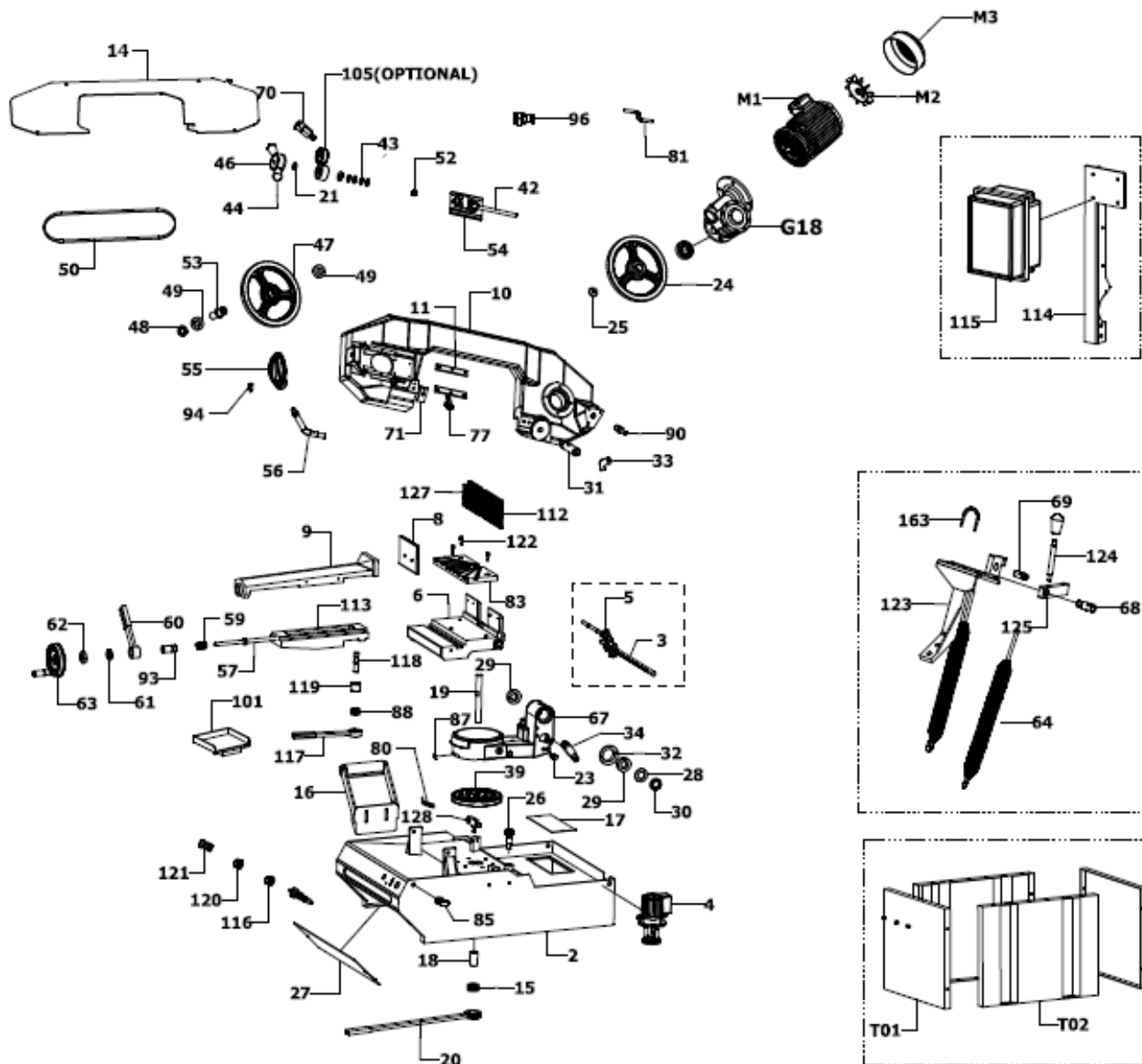
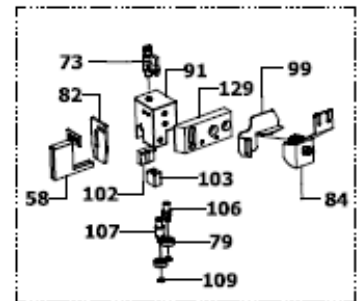
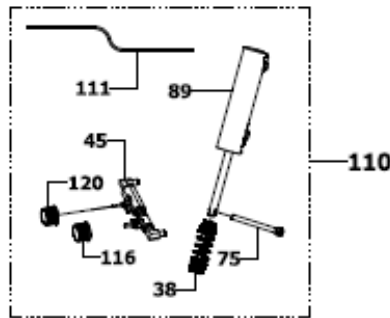
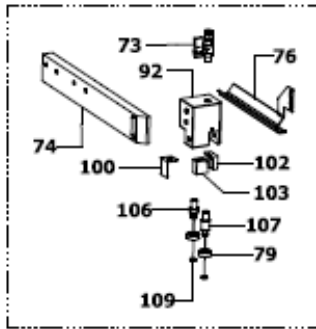


ELECTRICAL DIAGRAM

3-~ / 60 Hz / 230 V



EXPLODED VIEWS & PART LIST





Pos.	Description	Part #
2	5.13.38.18	
3	7.13.07.36	
4	Electric pump	303479
6	5.04.29.12	
8	5.15.26.31	
9	5.13.10.05	
10	5.04.29.13	
11	5.13.10.06	
14		
15	5.10.01.57	
16	5.13.38.19	
17	5.18.25.96	
18	5.06.30.72	
19	5.10.03.55	
20	5.14.21.11	
21	0.17.18.31	
23	5.10.03.56	
24	Drive wheel	303459
25	5.12.40.94	
26	5.13.10.07	
27		
28	5.12.40.95	
29	0.55.12.04	
30	5.10.01.59	
31	5.10.03.57	
32	5.18.19.25	
33		
34	0.80.12.13	
37		
38	5.08.01.85	
39	5.06.40.31	
42	5.17.30.38	
43	5.08.01.84	
44	0.14.01.20	
46	Knob	303452
47	Free wheel	5214240
48	5.10.01.60	
49	0.55.12.03	
50	3.28.00.56	
52	0.10.01.16	
53	5.10.03.58	
54	5.13.09.87	
55	Handle	303452
56	5.14.21.10	
57	5.10.03.59	
58	5.18.19.05	
59	5.08.01.86	
60	5.14.21.09	
61	0.55.14.06	
62	5.18.25.94	
63	Knob	303456
64	Spring	303455
67	5.13.38.20	

Pos.	Description	Part #
68	5.00.20.59	
69	5.00.20.60	
70	0.80.12.14	
71	5.13.10.08	
73	Coolant Tap	303454
74	5.13.10.09	
75	5.10.03.60	
76	5.18.19.26	
77	5.14.21.12	
79	0.60.06.08	
80	5.40.28.02	
81	1.72.58.09	
82	0.24.14.66	
83	5.15.26.32	
84	5.18.19.27	
85	0.13.50.03	
87	5.40.28.03	
88	5.10.03.61	
90	5.00.20.61	
91	5.13.10.10	
92	5.13.10.11	
93	5.06.30.71	
94	Microswitch	303434
96	0.24.14.66	
99	5.18.19.28	
100	5.18.19.29	
101	5.13.38.02	
102	5.15.51.62	
103	5.15.51.63	
105	Pressure indicator	303451
106	5.10.03.62	
107	5.10.03.63	
109	0.15.51.59	
110	Down feed group	303450

Pos.	Description	Part #
111	5.24.11.12	
112	5.15.26.33	
113	5.04.29.14	
114	5.13.38.21	
115	7.80.02.84	
116	0.80.60.34	
117	5.14.21.13	
118	5.10.03.64	
119	5.06.30.73	
120	5.14.00.70	
121	0.80.60.35	
123	5.13.40.18	
124	5.10.03.65	
125	5.13.40.19	
127	5.15.26.34	
128	5.15.51.64	
129	5.13.38.22	
163	5.10.03.66	
G18	7.21.10.09	
M1	Motor	303478
M2	Motor fan	303477
M3	Motor fan cover	303476
T01	5.13.38.23	
T02	5.18.19.30	

Please contact factory for current prices.

ORDERING INFORMATION

Parts are available for direct purchase from Dake or through a distributor. When placing a parts order, you will need to provide the part number, name of part, and model number. All parts shipped F.O.B. Factory in Grand Haven, MI.