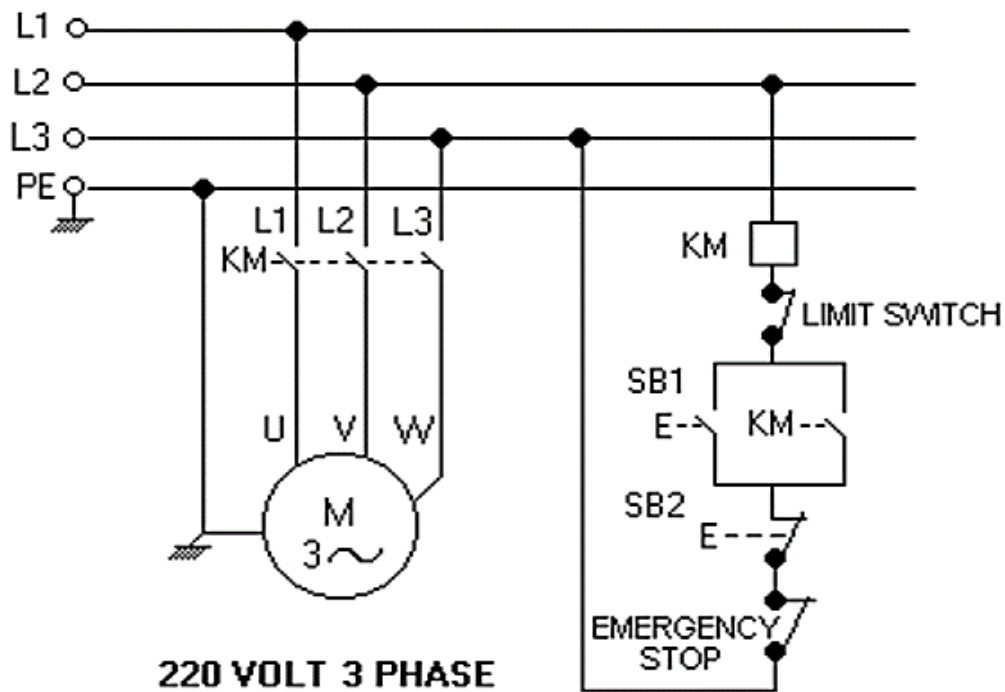
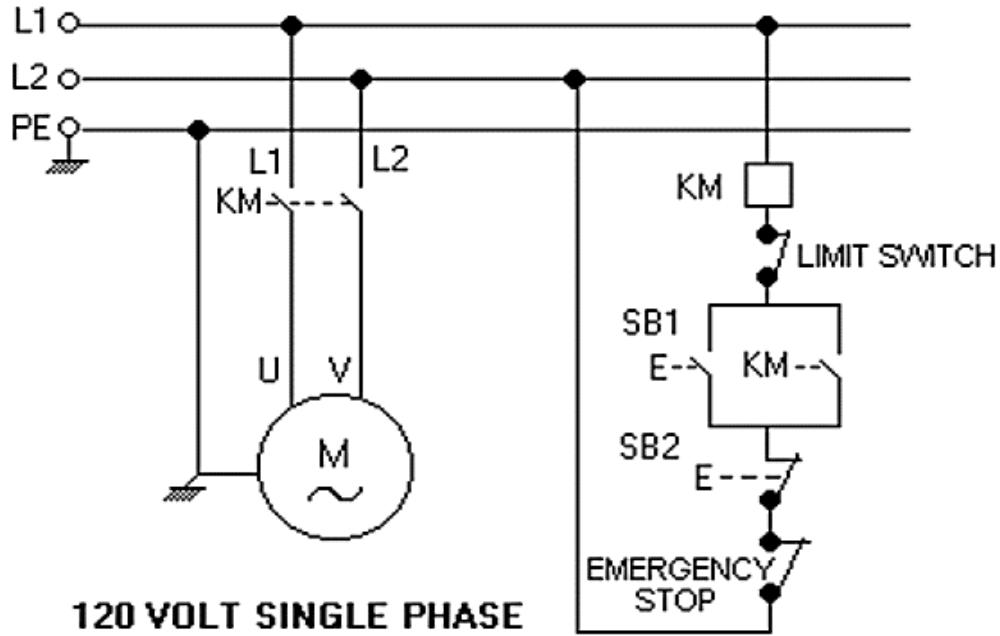
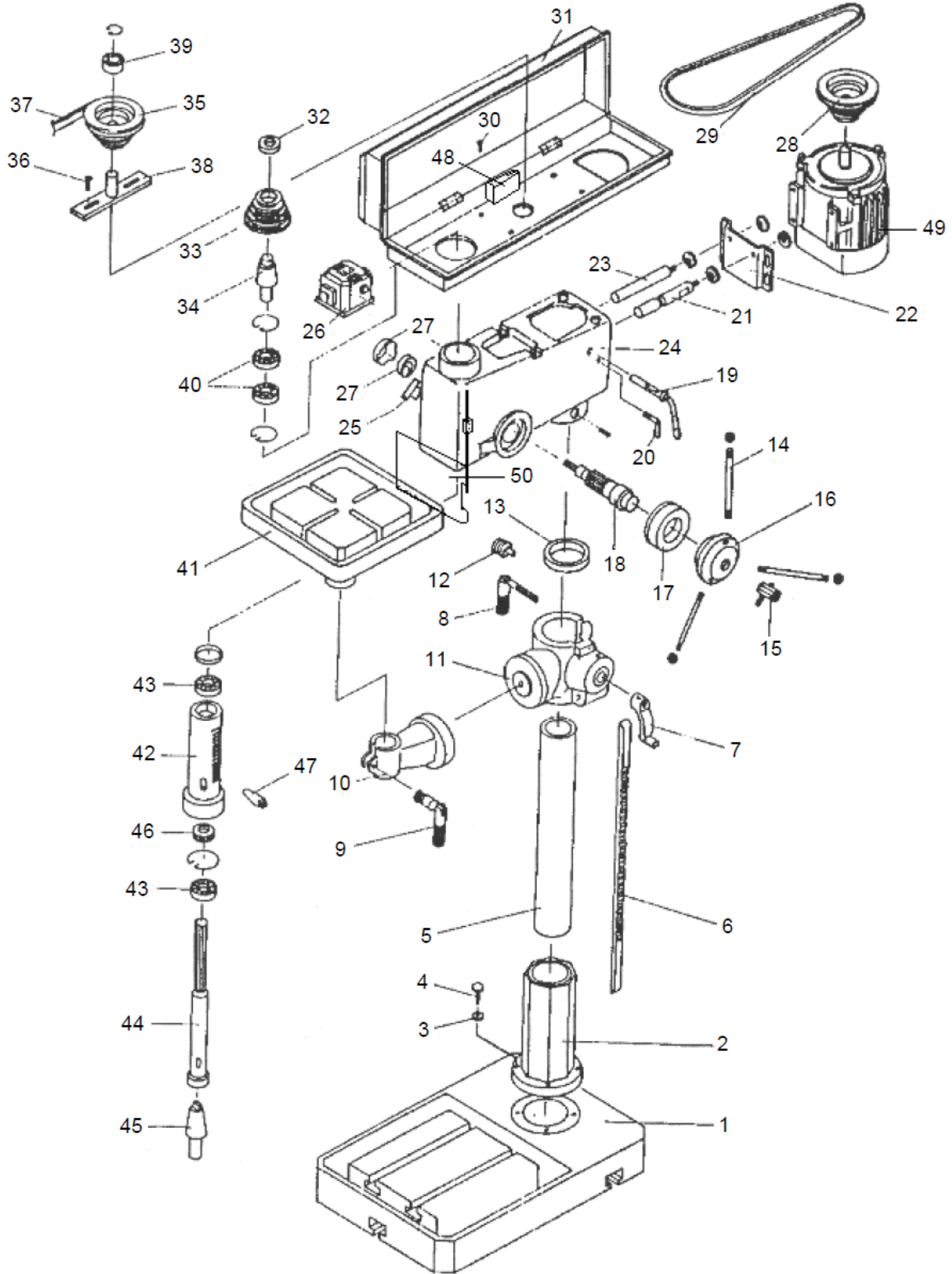


ELECTRICAL DIAGRAMS



SB-25 & SB-32:



SB-25 & SB-32:

Item No.	Part Description	Model Number:	
		SB-25	SB-32
1	Base	301040	301041
2	Flange	301042	301043
3	Spring Washer (4x)	13mm	13mm
4	Screw (M13 x 16mm L)	300999	300999
5	Column	301044	301045
6	Rack	301047	301046
7	Handle	301048	301048
8	Clamp Bolt	301049	301049
9	Clamp Bolt	301051	301051
10	Table Arm	301052	301053
11	Table Bracket	301055	301054
12	Worm	301056	301056
13	Collar	301057	301058
14	Feed Handle (3x)	301059	301059
15	Lock Handle	301070	301070
15A	Lock Screw	302818	302818
16	Feed Head	301069	301069
17	Spindle Scale	301071	301072
18	Feed Shaft	301073	301074
19	Belt Adjust Handle	301075	301076
20	Wing Bolt	301077	301078
21	Road – A	301079	301080
22	Motor Plate	301081	301081
23	Road – B	301082	301083
24	Head	301060	301084
25	Spring Base	N/A	N/A
26	Switch	301061	301061
27	Spring & Cap	301063	301064
28	Motor Pulley	301065	301065
29	Belt	303759	301066
30	Screw (4x)	300998	300998
31	Pulley Cover	301067	301068
32	Insert Pulley Nut	301085	301086

Item No.	Part Description	Model Number:	
		SB-25	SB-32
33	Spindle Pulley	301088	301087
34	Insert Pulley Shaft	302218	302217
35	Middle Pulley	301089	301090
36	Screw & Spring (2x)	301092	301092
37	Belt	302871	304255
38	Middle Pulley Shaft	301094	301094
39	Bearing 6203Z	300987	300987
40	Bearing 6203Z	300987	300987
41	Table	301095	301096
42	Quill	301098	301097
43	Bearing	300990	300990
43	Bearing	300989	300989
44	Spindle	301099	301100
45	Arbor	301101	301102
46	Seal	N/A	N/A
47	Wedge	301104	301103
48	Belt Cover Interlock Switch	300992	300992
49	Motor	300996	300994
50	Plexiglass Chuck Guard	300995	300995
N/A	Chuck (16mm)	301966	301966
N/A	Key (16mm)	301967	301967

Please contact factory for current prices.

ORDERING INFORMATION

Parts are available for direct purchase from Dake or through a distributor. When placing a parts order, you will need to provide the part number, name of part, and model number. All parts shipped F.O.B. Factory in Grand Haven, MI