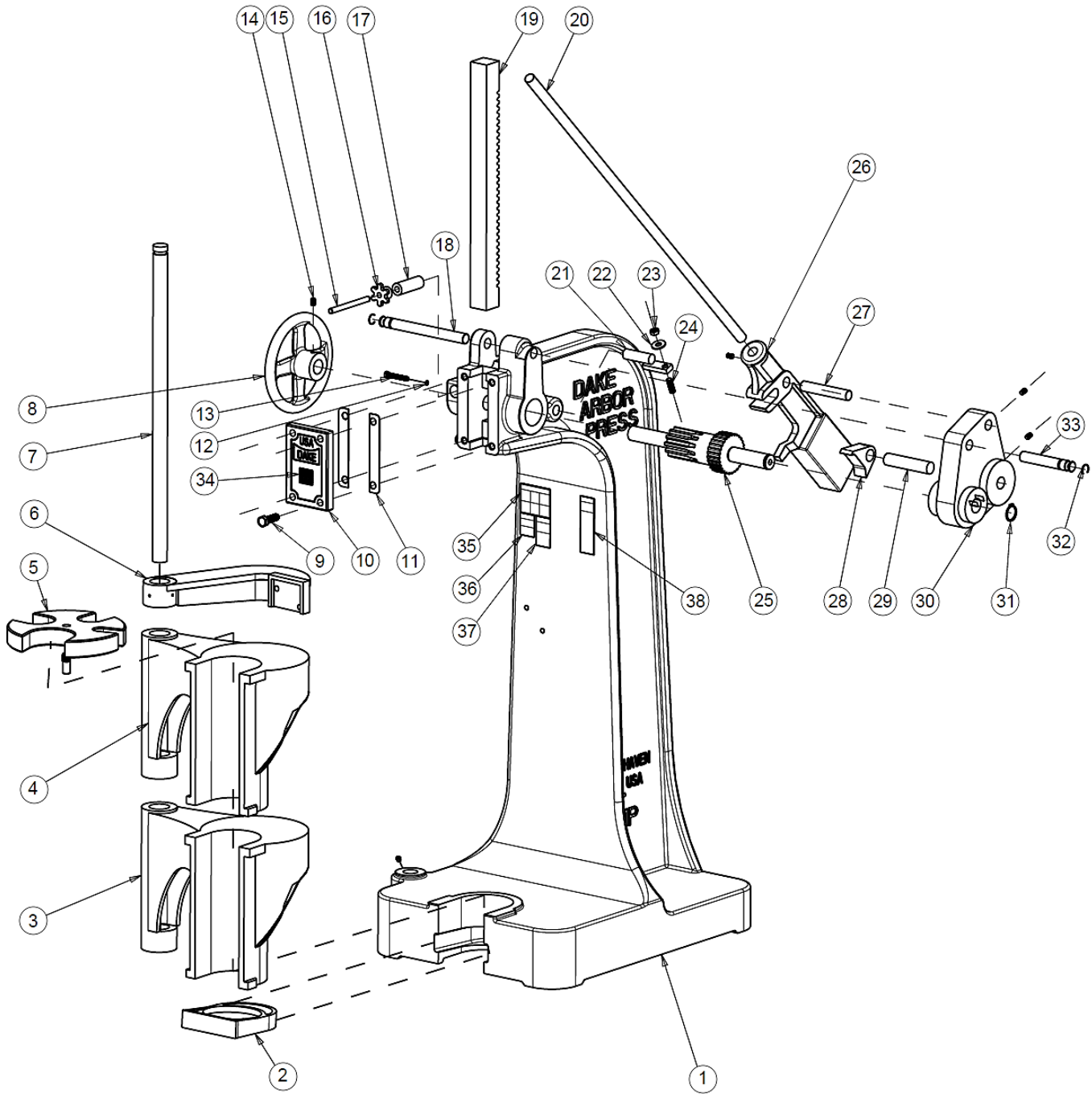


# EXPLODED VIEW & PARTS LIST

## EXPLODED PARTS VIEW



## PARTS LIST

Item	Part Name	Part Number	Qty	Item	Part Name	Part Number	Qty
1	Frame	301	1	21	Compound Rest Pin	280	1
2	Mandrel Catcher	306	1	22	Flat Washer (1/2")	43634	1
3	Bottom Table	303	1	23	Hex Jam Nut (1/2"-13)	43940	1
4	Top Table	302	1	24	Socket Set Screw (1/2"-13 x 1-1/2")	43608	1
5	Table Plate Assembly	701227	1	25	Pinion Shaft (Spindle)	290	1
6	Table Bracket	307	1	26	Lever Weight	305A	1
7	Table Shaft	309	1	27	Lever Weight Pin	308	1
8	Handwheel	294	1	28	Pawl	274	1
9	Hex Cap Screw (5/8-11" x 2")	43366	4	29	Pawl Pin	284	1
10	Ram Cap	261	1	30	Compound	304	1
11	Ram Cap Shim	242	6	31	Retaining Ring	68962	1
12	Lock Washer (3/8")	43645	1	32	Retaining Ring	43982	2
13	Hex Cap Screw (2-3/4" x 3/8-16")	43335	1	33	Short Sliding Pin (1" x 6-1/4")	288	1
14	Socket Set Screw (3/8-16" x 5/8")	43589	6	34	Label – Made in U.S.A.	76936	1
15	Hand Brake Stud	289	1	35	Warning Label – Ganged	300168	1
16	Hand Brake Clamp	278	1	36	Warning Label – Free Fall	302414	1
17	Hand Brake	277	1	37	Warning Label – Tipping	79979	1
18	Long Sliding Pin (1" x 10-1/2")	286	1	38	Warning Label – Pinch Point	87130	1
19	Ram	275	1	Not Shown	Set Screw (5/8"-11 x 2-1/4") Located on back of items 3 & 4	44332	2
20	Handle	283	1	Not Shown	Hex Nut (5/8"-11) Located on back of items 3 & 4	43917	2

***Please contact factory for current prices.***

## ORDERING INFORMATION

Parts are available for direct purchase from Dake or through a distributor. When placing a parts order, you will need to provide the part number, name of part, and model number. All parts shipped F.O.B. Factory in Grand Haven, MI.