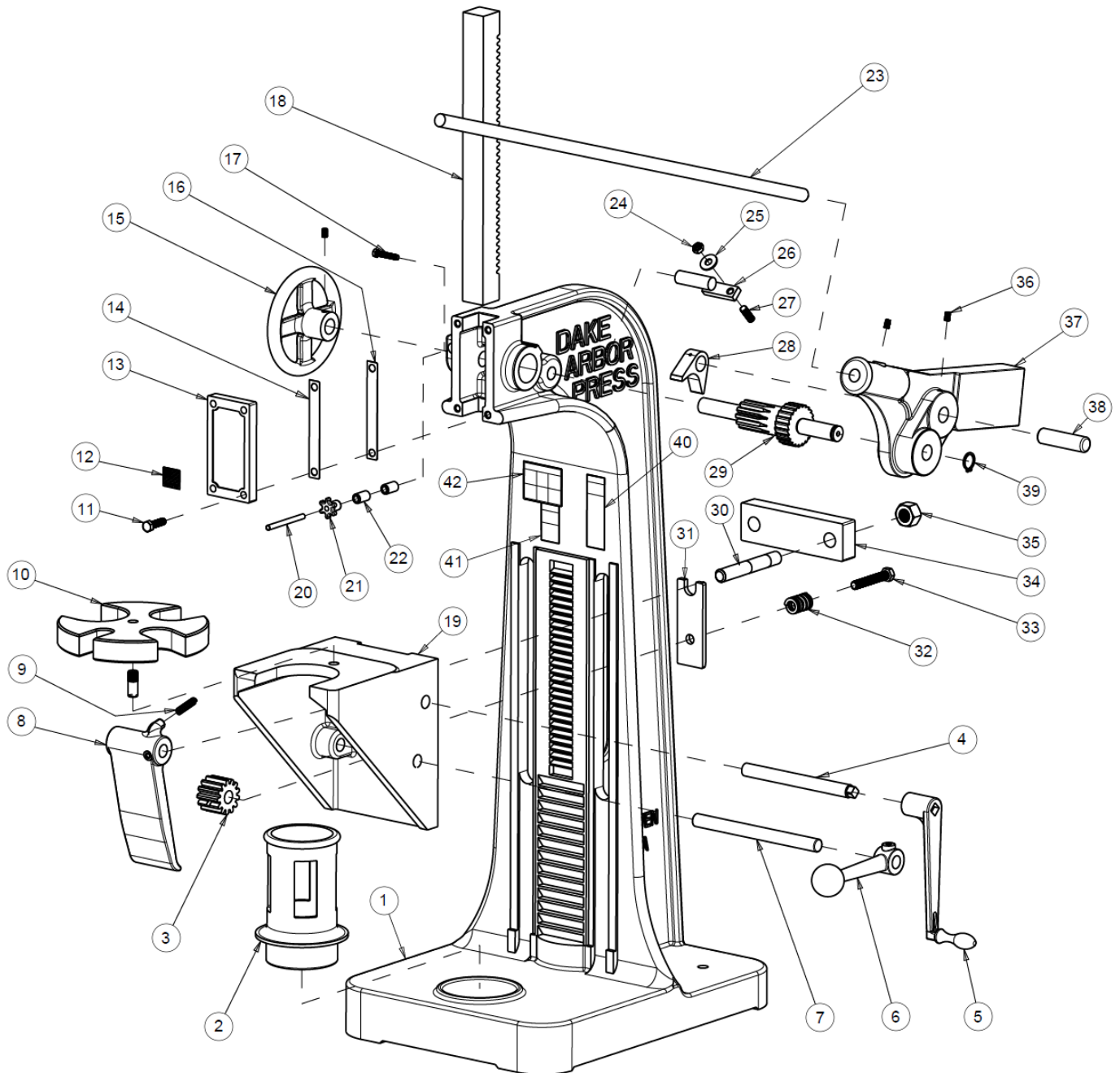


# EXPLODED VIEW & PARTS LIST

## EXPLODED PARTS VIEW





## PARTS LIST

<u>Item</u>	<u>Part Name</u>	<u>Part Number</u>	<u>Qty</u>
1	Frame	295	1
2	Mandrel Catcher	254	1
3	Table Pinion	271	1
4	Table Pinion Shaft	291	1
5	Table Crank	270	1
6	Table Pawl Handle	266	1
7	Table Pawl Shaft	287	1
8	Table Pawl	265	1
9	Spring (1/2" x 2")	302436	1
10	Table Plate Assembly	701227	1
11	Hex Cap Screw (1/2"-13 x 1-3/4")	43350	4
12	Label – Made in U.S.A.	76936	1
13	Ram Cap	296	1
14	Ram Cap Shim (.015")	252	6
15	Handwheel	257	1
16	Ram Cap Shim (.008")	251	2
17	Hex Cap Screw (3/8"-16 x 2")	43333	1
18	Ram	253	1
19	Table	262	1
20	Hand Brake Stud	223A	1
21	Handbrake Clamp	215	1
22	Handbrake	214	2
23	Handle	283	1
24	Hex Jam Nut (1/2"-13)	43940	1
25	Flat Washer (1/2")	43634	1
26	Compound Rest Pin	280	1
27	Headless Set Screw (1/2"-13 x 1-1/2")	43608	1
28	Pawl	297	1
29	Spindle	256	1
30	Table Stud	282	2
31	Table Washer	279	2
32	Table Spring	281	2
33	Hex Cap Screw	53759	2
34	Table Clamp	267	1
35	Hex Nut (1-8)	43922	2
36	Headless Set Screw (3/8"-16 x 5/8")	43589	4
37	Lever Weight	258	1
38	Pawl Pin	255	1
39	Retaining Ring	67955	1
40	Warning Label – Pinch Point	87130	1
41	Warning Label – Tipping	79979	1
42	Warning Label – Ganged	300168	1

***Please contact factory for current prices.***

## ORDERING INFORMATION

Parts are available for direct purchase from Dake or through a distributor. When placing a parts order, you will need to provide the part number, name of part, and model number. All parts shipped F.O.B. Factory in Grand Haven, MI.