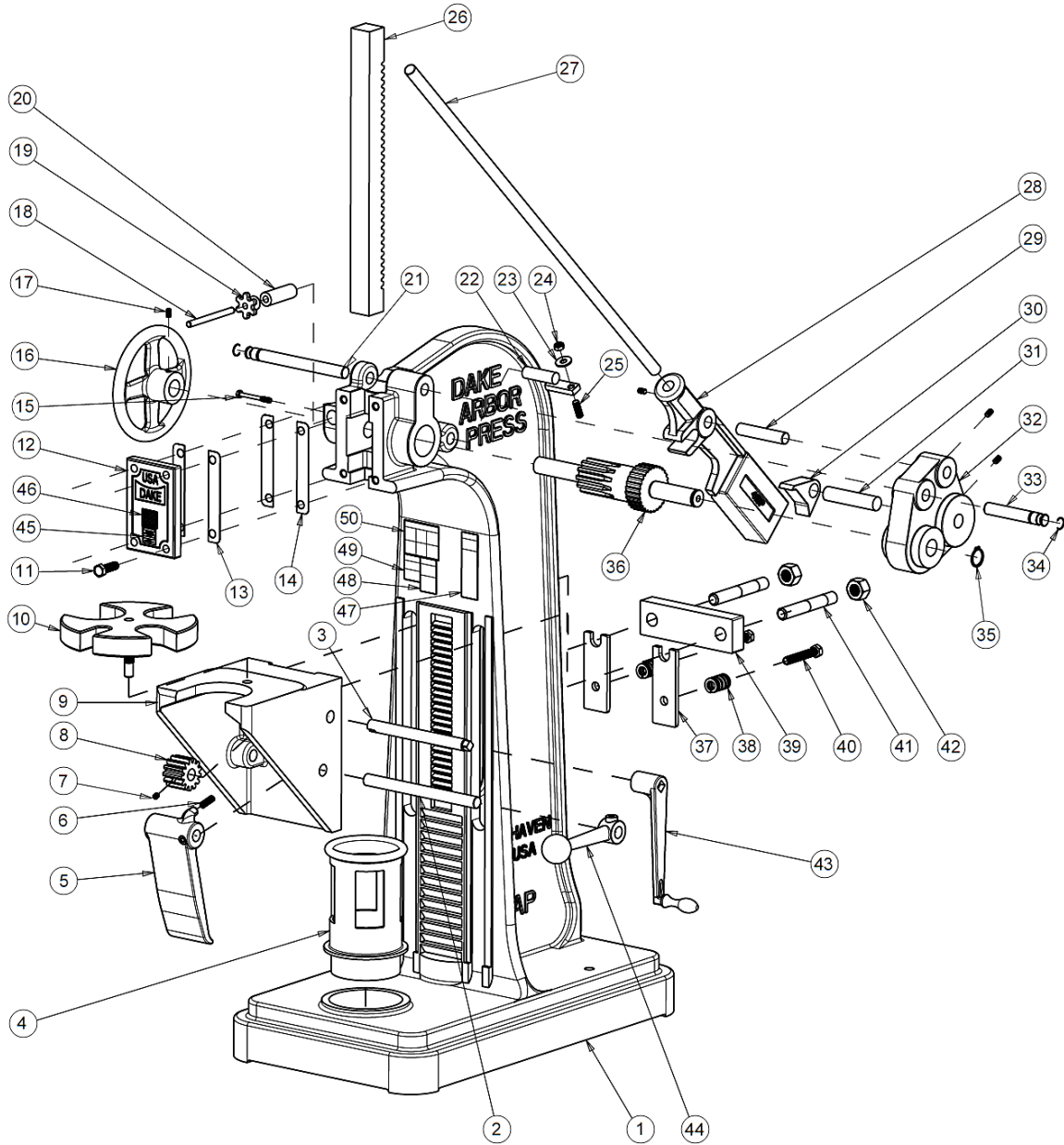


EXPLODED VIEW & PARTS



<u>Item</u>	<u>Part Name</u>	<u>Part Number</u>	<u>Qty</u>
1	Frame	260	1
2	Table Pawl Shaft	287	1
3	Table Pinion	271	1
4	Mandrel Catcher	243	1
5	Table Pawl	265	1
6	Check Valve Spring	579	1
7	Socket Set Screw (3/8"-16 x 3/8")	43586	1
8	Table Pinion Shaft	291	1
9	Table	262	1
10	Table Plate Assembly	701227	1



<u>Item</u>	<u>Part Name</u>	<u>Part Number</u>	<u>Qty</u>
11	Hex Cap Screw (5/8"-11 x 2")	43366	4
12	Ram Cap	261	1
13	Ram Cap Shim (.015")	242	6
14	Ram Cap Shim (.008")	241	2
15	Hex Cap Screw (3/8"-16 x 3-1/2")	43339	1
16	Handwheel	294	1
17	Headless Set Screw (3/8"-16 x 5/8")	43589	4
18	Handbrake Stud	289	1
19	Handbrake Clamp	278	1
20	Handbrake	277	1
21	Long Sliding Pin (1" x 10-1/2")	286	1
22	Compound Rest Pin	280	1
23	Washer (1/2")	43634	2
24	Hex Jam Nut (1/2"-13)	43940	1
25	Set Screw (3/8"-16 x 3-1/2")	43608	1
26	Ram	275	1
27	Handle	283	1
28	Lever Weight	273	1
29	Lever Weight Pin	285	1
30	Pawl	274	1
31	Ratchet Pawl Pin	284	1
32	Compound	272	1
33	Short Sliding Pin (1" x 6-1/4")	288	1
34	Retaining Ring	43982	2
35	Retaining Ring	68962	1
36	Spindle	290	1
37	Table Washer	279A	2
38	Table Spring	281	2
39	Table Clamp	267	1
40	Hex Cap Screw (5/8"-11 x 4")	53759	2
41	Table Stud	282	2
42	Hex Nut 1-8	43922	2
43	Table Crank	270	1
44	Table Pawl Handle	266	1
45	Label – Model Number	607	1
46	Label – Made in U.S.A.	76936	1
47	Warning Label – Pinch Point	87130	1
48	Warning Label – Tipping	79979	1
49	Warning Label – Free Fall	302416	1
50	Warning Label – Ganged	300168	1

Please contact factory for current prices.

ORDERING INFORMATION

Parts are available for direct purchase from Dake or through a distributor. When placing a parts order, you will need to provide the part number, name of part, and model number. All parts shipped F.O.B. Factory in Grand Haven, MI.