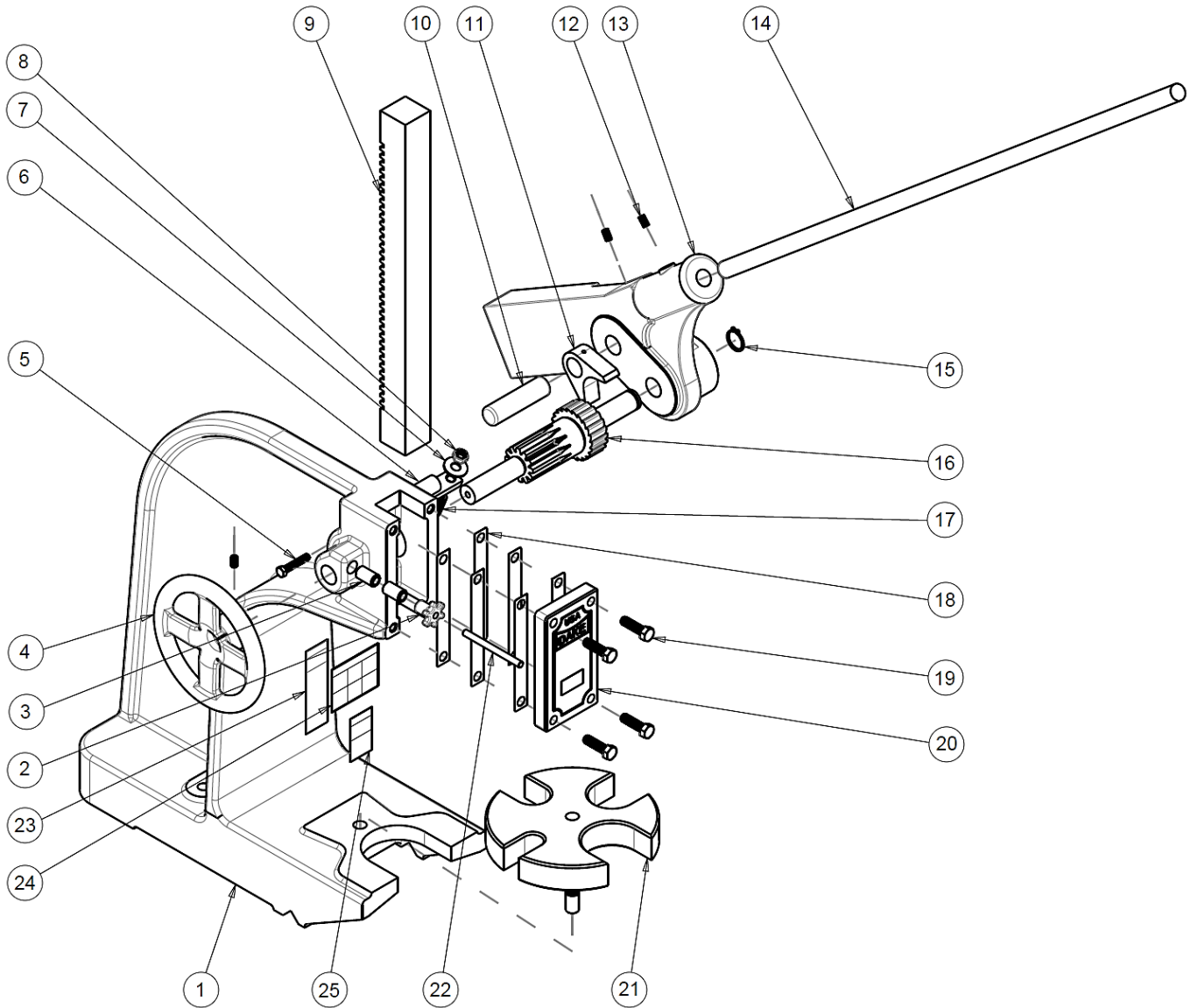


EXPLODED VIEW & PARTS LIST

EXPLODED PARTS VIEW





PARTS LIST

<u>Item</u>	<u>Part Name</u>	<u>Part Number</u>	<u>Qty</u>
1	Frame	245	1
2	Handbrake Clamp	215	1
3	Handbrake	214	2
4	Handwheel	257	1
5	Hex Cap Screw (3/8"-16 x 2")	43333	1
6	Compound Rest Pin	280	1
7	Flat Washer (1/2")	43634	1
8	Hex Jam Nut (1/2"-13)	43940	
9	Ram	253	1
10	Pawl Pin	255	1
11	Pawl	297	1
12	Socket Set Screw (3/8"-16 x 5/8")	43589	4
13	Lever Weight	258	1
14	Handle	283	1
15	Retaining Ring	67955	1
16	Spindle	256	1
17	Set Screw	43608	1
18	Ram Cap Shim	252	6
19	Hex Cap Screw (1/2"-13 x 1-3/4")	43350	4
20	Ram Cap	296	1
21	Table Plate Assembly	701226	1
22	Handbrake Stud	223A	1
23	Warning Label – Pinch Point	87130	1
24	Warning Label – Ganged	300168	1
25	Warning Label – Tipping	79979	1

Please contact factory for current prices.

ORDERING INFORMATION

Parts are available for direct purchase from Dake or through a distributor. When placing a parts order, you will need to provide the part number, name of part, and model number. All parts shipped F.O.B. Factory in Grand Haven, MI.