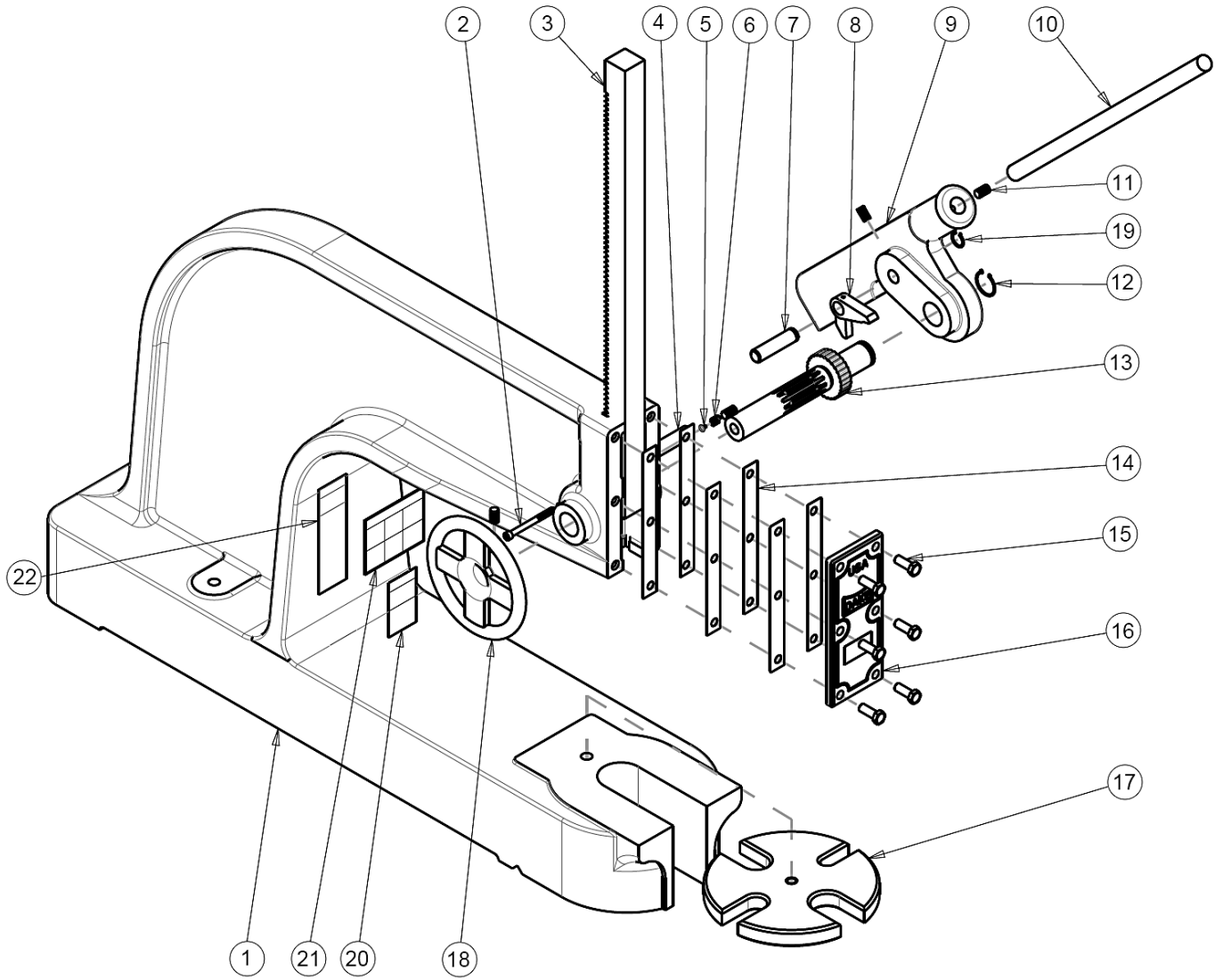


EXPLODED VIEW & PARTS LIST

EXPLODED PARTS VIEW





PARTS LIST

<u>Item</u>	<u>Part Name</u>	<u>Part Number</u>	<u>Qty</u>
1	Frame	69939	1
2	Socket Cap Screw (1/4"-20 x 2-3/4")	43422	1
3	Ram	191	1
4	Rest Pin	174	1
5	Tinners Rivet	43577	1
6	Brake Spring	108	1
7	Pawl Pin	175	1
8	Pawl	177	1
9	Lever Weight	176	1
10	Handle	179	1
11	Headless Set Screw (3/8"-16 x 5/8")	43589	4
12	Retaining Ring	67424	1
13	Spindle	180	1
14	Ram Cap Shim	69942	6
15	Screw Bolt (3/8"-16 x 1")	43328	6
16	Ram Cap	69940	1
17	Table Plate Assembly	700941	1
18	Handwheel	167	1
19	Retaining Ring	30577	1
20	Warning Label Tipping	79979	1
21	Warning Label – Ganged	300168	1
22	Warning Label – Pinch Point	87130	1

Please contact factory for current prices.

ORDERING INFORMATION

Parts are available for direct purchase from Dake or through a distributor. When placing a parts order, you will need to provide the part number, name of part, and model number. All parts shipped F.O.B. Factory in Grand Haven, MI.