

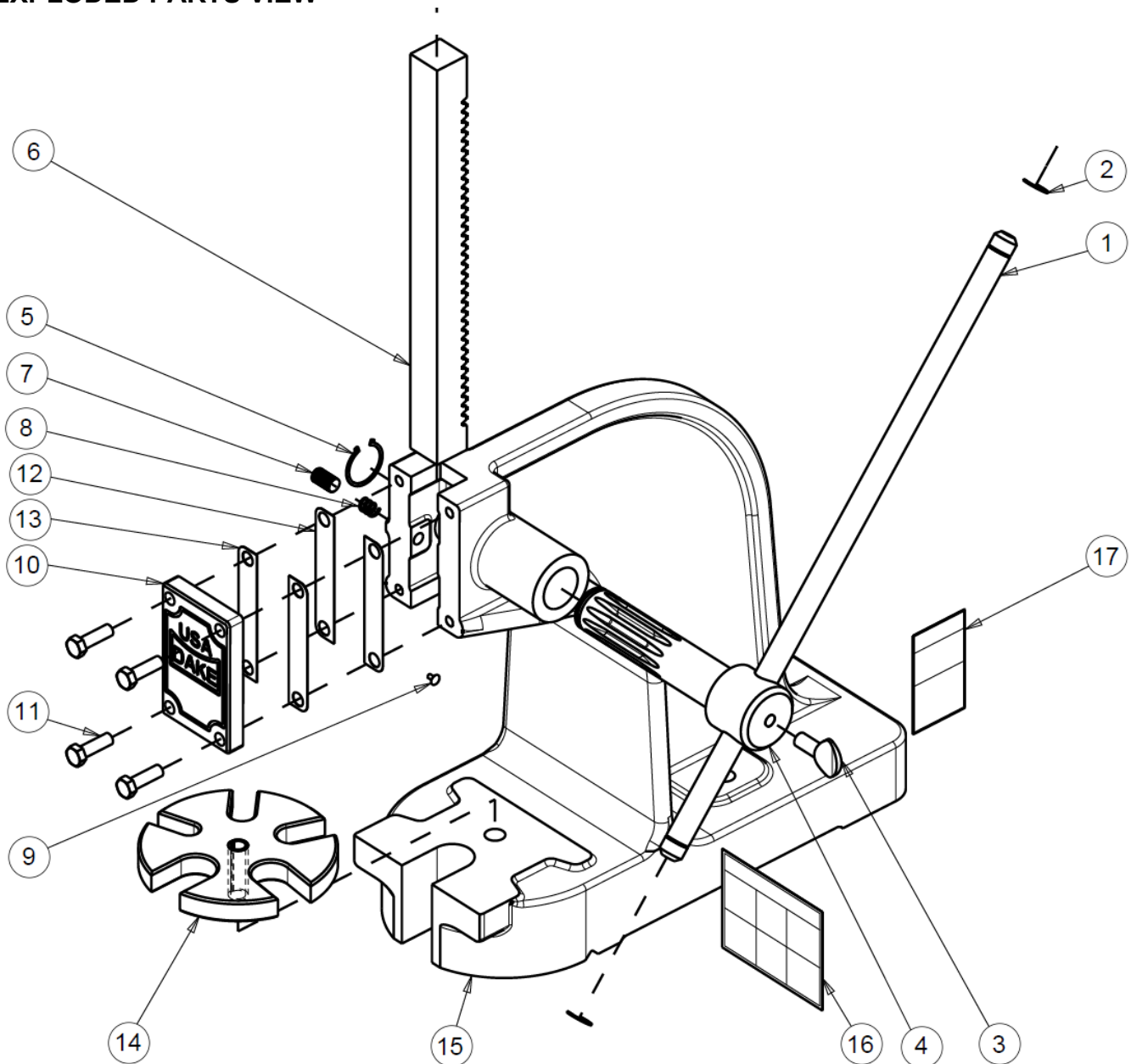
## MAINTENANCE

### LUBRICATION

- Keep all working parts of the press well-oiled for easier operation.
- Keep a light film of oil over the entire surface of the ram to prevent rust.

## EXPLODED VIEW & PARTS LIST

### EXPLODED PARTS VIEW



## PARTS LIST

| <u>Item</u> | <u>Part Name</u>                                     | <u>Part Number</u> | <u>Qty</u> |
|-------------|--|--------------------|------------|
| 1           | Handle   | 128                | 1          |
| 2           | Retaining Ring (National lock washer number XRC-327) | 43965              | 2          |
| 3           | 3/8"-16 x 3/4" Thumb Screw                           | 43622              | 1          |
| 4           | Spindle  | 129                | 1          |
| 5           | Retaining Ring                                       | 67424              | 1          |
| 6           | Ram  | 127                | 1          |
| 7           | 3/8"-16 x 5/8" Headless Set Screw                    | 43589              | 1          |
| 8           | Brake Spring   | 108                | 1          |
| 9           | Tinners Rivet  | 43577              | 1          |
| 10          | Ram Cap  | 122                | 1          |
| 11          | 5/16"-18 x 1" Hex Cap Screw                          | 43315              | 4          |
| 12          | Ram Cap Shim (.008")                                 | 125                | 2          |
| 13          | Ram Cap Shim (.015")                                 | 126                | 2          |
| 14          | Table Plate Assembly                                 | 700806             | 1          |
| 15          | Frame  | 117                | 1          |
| 16          | Warning Label – Ganged                               | 300168             | 1          |
| 17          | Warning Label – Tipping                              | 79979              | 1          |

***Please contact factory for current prices.***

## ORDERING INFORMATION

Parts are available for direct purchase from Dake or through a distributor. When placing a parts order, you will need to provide the part number, name of part, and model number. All parts shipped F.O.B. Factory in Grand Haven, MI.