

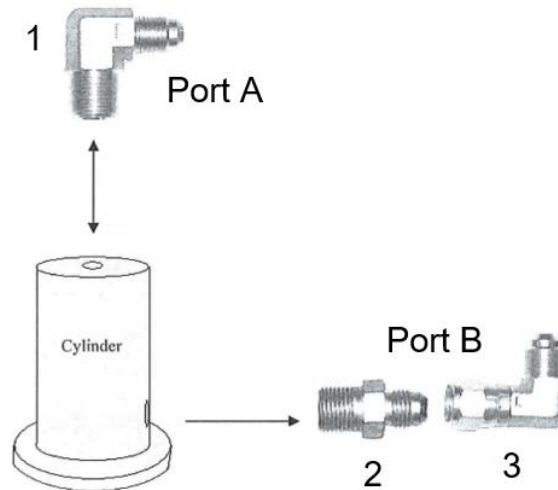
MAINTENANCE

LUBRICATION

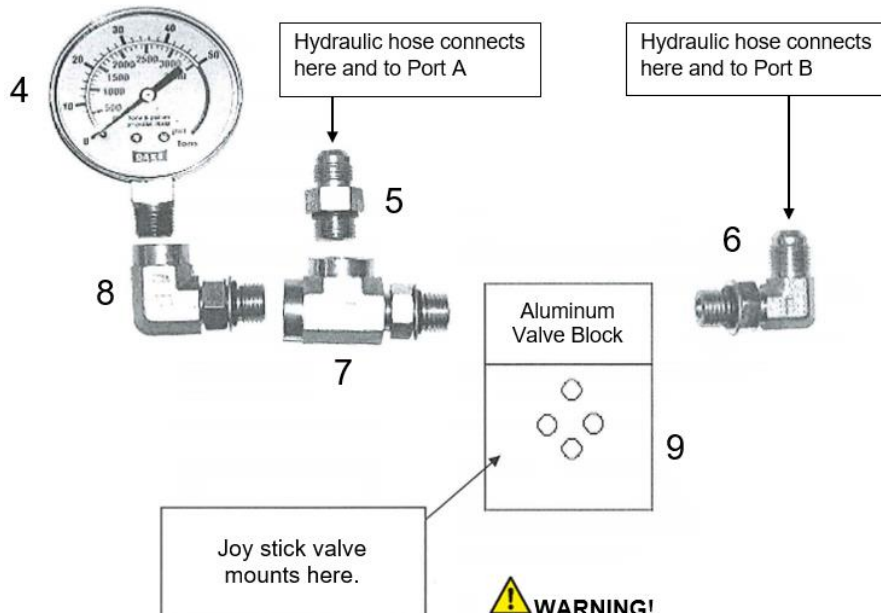
Keep all working parts of press well oiled for easier operation. Also, keep a light film of oil over the entire surface of the ram to prevent rust.

HYDRAULIC LINES AND FITTINGS

If there is ever any maintenance done with the hydraulic components below is how to reinstall all components.



Item	Part No.
1	72050
2	73425
3	72047
4	302939
5	69671
6	72402
7	302183
8	302061
9	302224

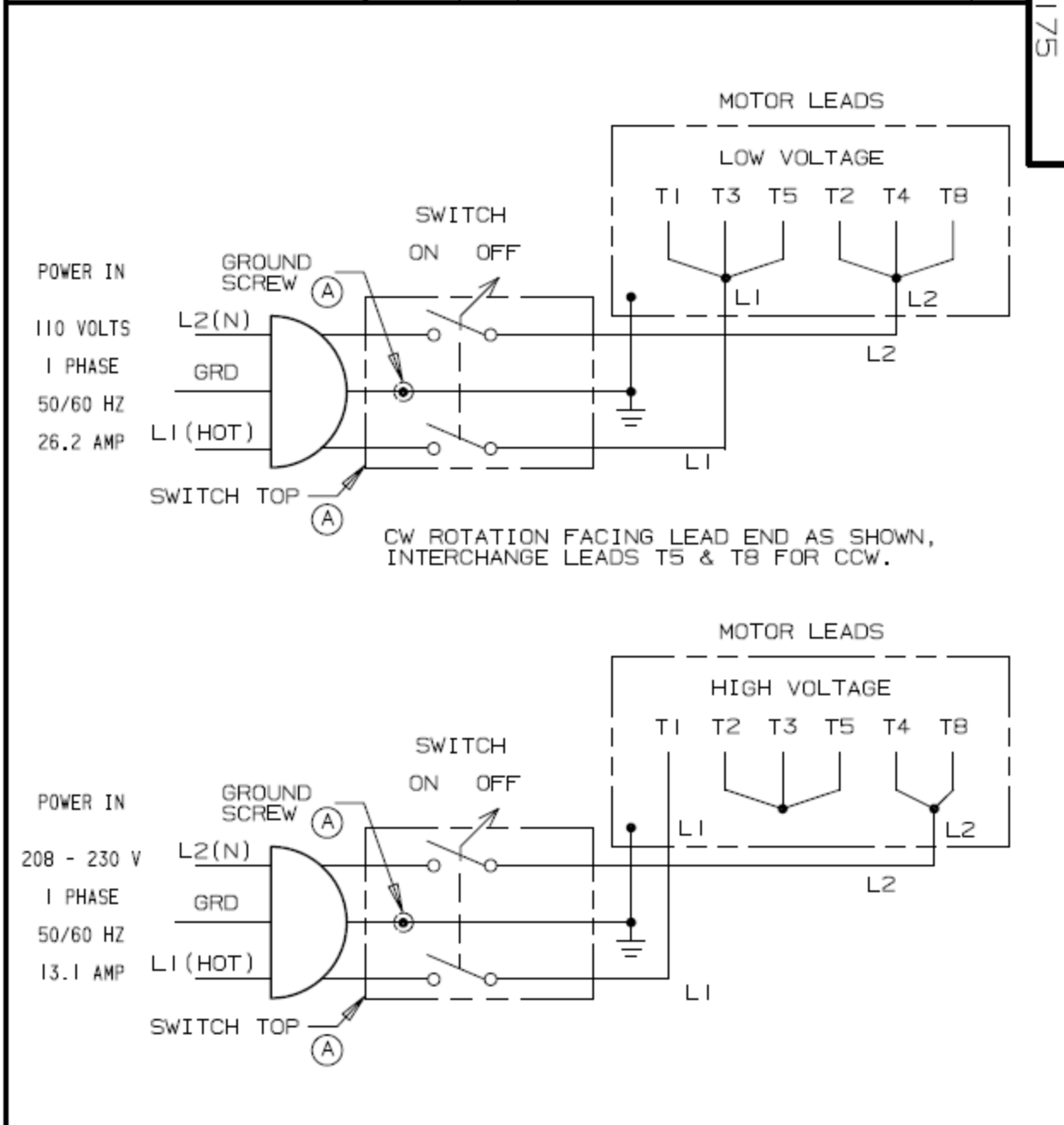


⚠ WARNING!
 Be sure all fittings and bolts are tight.
 Do not over tighten fittings or bolts.

ELECTRIC SCHEMATIC

MACH'G. TOLERANCE UNLESS SPECIFIED		DATE	SYM.	CHANGES	BY
FRACTIONAL: ± 0.010	BREAK EDGES REMOVE BURRS	10/01/08	A	SW. LAYOUT REV. & NOTES ADDED	HDD
DECIMAL: ± 0.002		12/18/14		SWAPPED T5 & T8 AND CCW & CW - PER B. PAGE	SK
ANGLE: $\pm 1/2^\circ$					
UNDERScoreD DIMENSIONS NOT TO SCALE					

87175

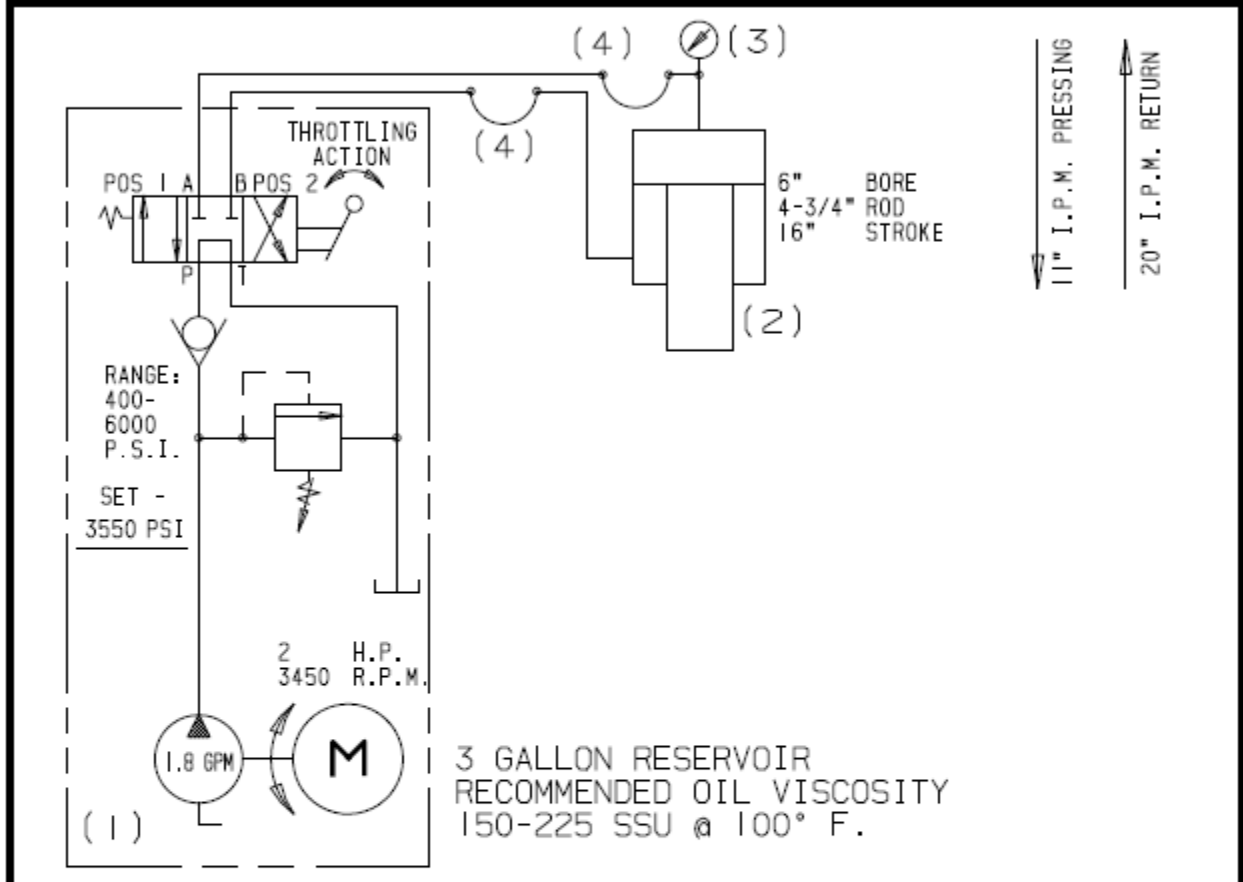


DAKE GRAND HAVEN, MICH.		ELECTRICAL CONTROL / WIRING			
SCALE: NA	MAT'L.	STOCK NO.	USED ON 909250		
DR. HDD	TR.	DESIGNED BY	PATT. NO.	FILE NO.	DRW. NO. 87175
CH.	AP.	APPROVED BY			
DATE: 1/23/08	11:02A				

HYDRAULIC SCHEMATIC

SEQUENCE OF OPERATION

IDLE - HANDLE NEUTRAL, PRESSURE IN CYLINDER LOCKS.
 PRESSING - HANDLE POS. #1, CLOSE AND/OR THROTTLE FOR RAM MOVEMENT AND/OR PRESSURE.
 RETURN - HANDLE POS. #2, OPEN AND/OR THROTTLE FOR RAM MOVEMENT AND/OR DECOMPRESSION.



ITEM	QUAN.	DESCRIPTION	MODEL NO.	MAKE
4	2	HOSE	302201	DAKE
3	1	GAUGE - 50 TON	302939	DAKE
2	1	WORKHEAD - 50 TON	716547	DAKE
1	1	POWER UNIT	301856	DAKE

COMPONENT LIST

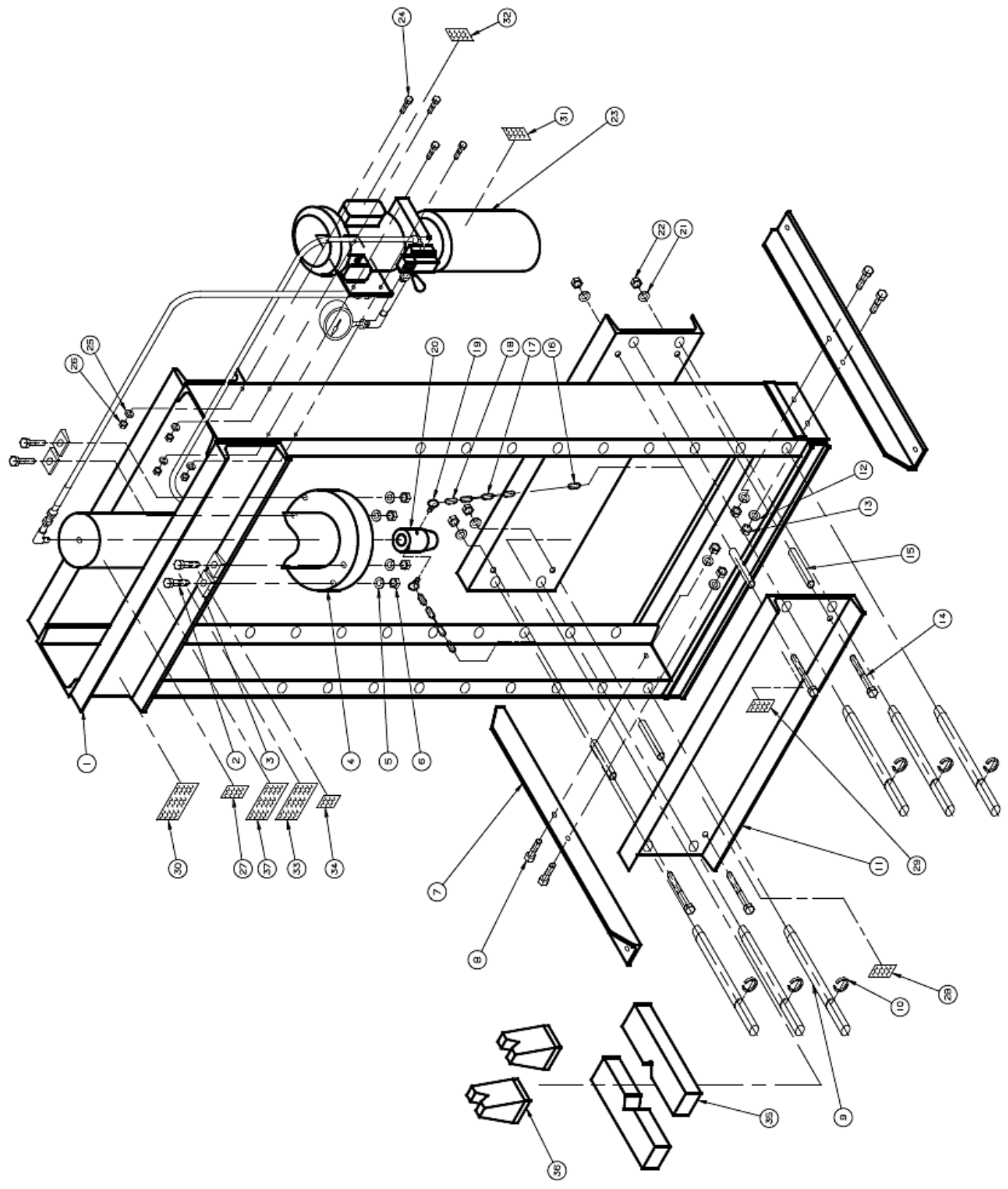
		HYDRAULIC DIAGRAM			
GRAND HAVEN, MICHIGAN		MAT'L.		SIZE	USED ON
DRAWN: S K				A	9-250
SCALE: NONE		STOCK NO.	PATT. NO.	FILE NO.	DRW. NO.
DATE: 11/14/08					87211

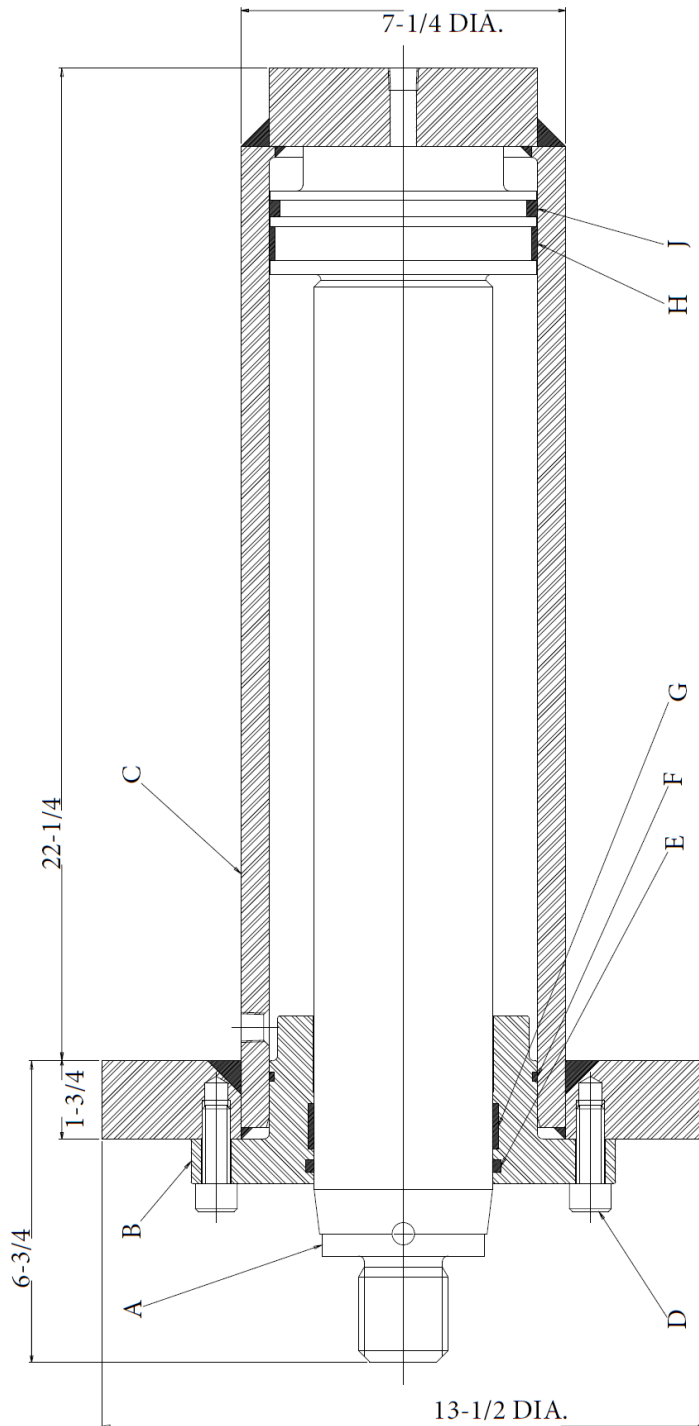
THIS DRAWING AND THE INFORMATION HEREON IS THE PROPERTY OF DAKE AND MUST NOT BE TRANSFERRED TO ANY THIRD PARTY OR BE USED FOR THE MANUFACTURE, PURCHASE OR SALE OF ITEMS WITHOUT WRITTEN CONSENT OF DAKE



EXPLODED VIEW & PARTS LIST

Item #	Qty	Description	Part #		Item #	Qty.	Description	Part #
1	1	Frame 50 Ton	706943		24	4	Hex Cap Screw 5/16"-18 NCx1/2"lg	43313
2	4	Hex Cap Screw 1/2"-13x3 1/4" lg	43356		25	4	Lock Washer 5/16"	43644
3	4	Channel Washer 1/2"	43657		26	4	Hex Nut 5/16"-18	43911
4	1	Work head Assembly	716547				Hose Kit / Valve	301856KIT
5	4	Lock Washer 1/2"	43647		28	1	Label All pins warning	84487
6	4	Hex Nut 1/2"-13	43916		29	1	Label Fingers out of	84399
7	2	Base Angle	566		30	1	Label Ganged warning	300168
8	4	Hex Cap Screw 1/2"-13NC X 1 1/2" lg	43349		31	1	Label Lockout procedure	76462
9	6	Table Pin	569		32	1	Label Voltage danger	84395
10	6	Retaining Ring	43980		33	1		
11	2	Table Channel	706945		34	1	Label Made in USA	76936
12	4	Lock Washer 1/2"	43647		35	2	Table Plate	702
13	4	Hex Nut 1/2"-13	43916		36	2	V-Block	336
14	4	5/8-11 x 10 1/2" long	79983		37	1	Dake Name Plate	81002
15	4	Table Spacer	86488		A	1	Piston	87135
16	2	Shackle	301884		B	1	Piston guide	87136
17	2	Chain	301881		C	1	Cylinder	87134
18	4	Spring Snap	301882		D	1	Soc. Hd. Cap screw	43485
19	2	Eye Bolt	301880		E	1	Seal	37044
20	1	Nose Piece	87138		F	1	T-Ring	37048
21	4	Lock Washer 5/8"	43648		G	1	Wear Ring	37045
22	4	Hex Nut 5/8"x11	43917		H	1	Wear Ring	37046
23	1	Hydraulic Power Unit	301856PU		J	1	T-Ring Seal	17942





ITEM	DESCRIPTION	PART NO.	QTY
A	Piston	87135	1
B	Piston Guide	87136	1
C	Cylinder	87134	1
D	Socket Cap Screw	43485	8
E	Seal	37044	1
F	T-Ring	37048	1
G	Wear Ring	37045	1
H	Wear Ring	37046	1
J	T-Ring Seal	17942	1

Please contact factory for current prices.

ORDERING INFORMATION

Parts are available for direct purchase from Dake or through a distributor. When placing a parts order, you will need to provide the part number, name of part, and model number. All parts shipped F.O.B. Factory in Grand Haven, MI.