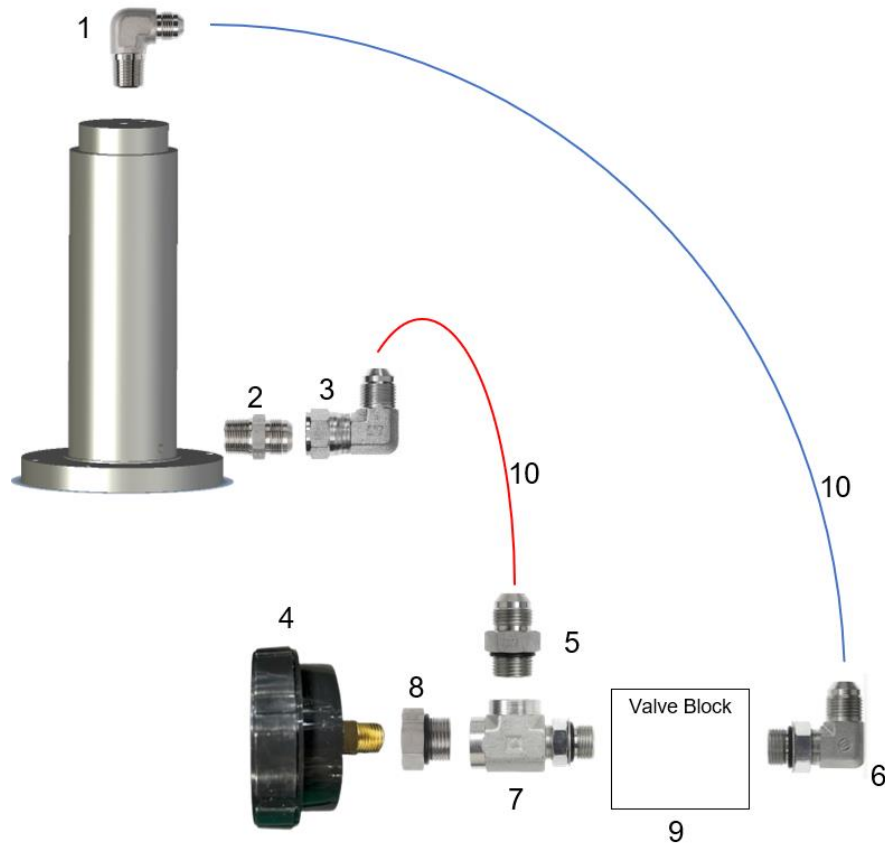


HYDRAULIC LINES AND FITTINGS – 2022 and later

If press was manufactured year **2022 or later (Serial No. > WOD-7942)**, power unit, valve, hose, and fittings will be of new configuration. Valve control handle left to right configuration. See below for updated components breakdown.

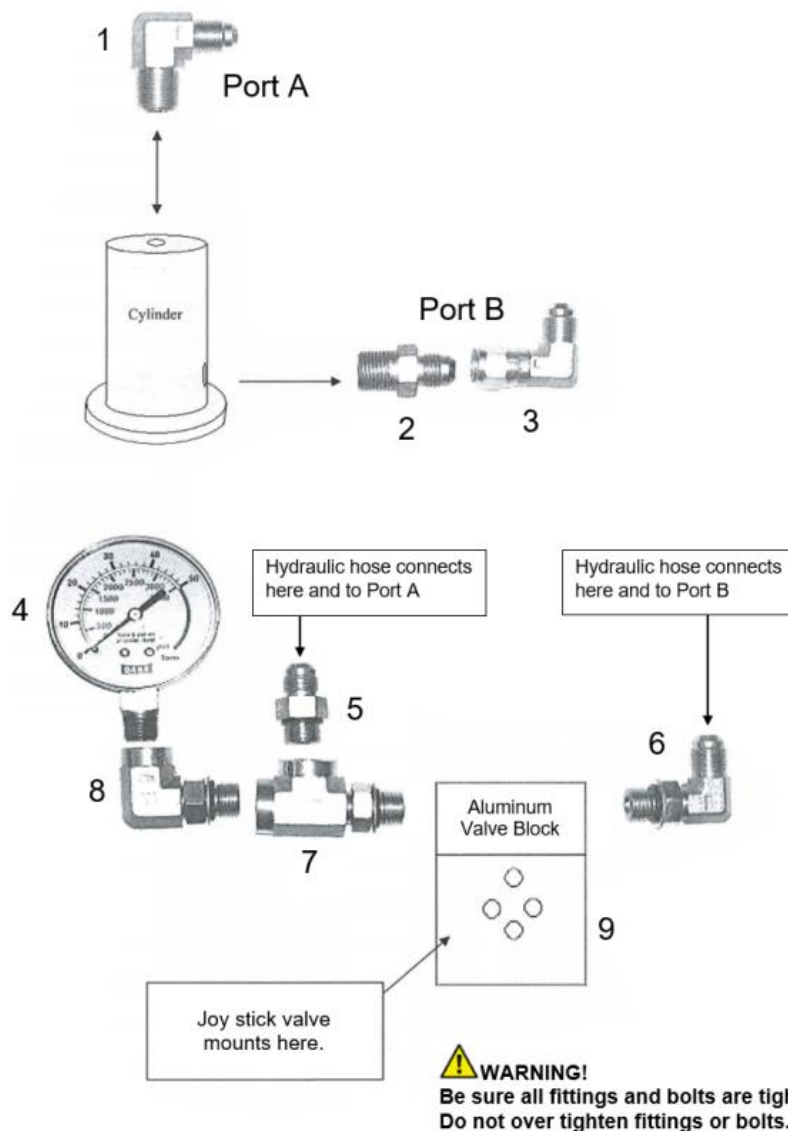


| Item | Description | Part No. | Qty |
|------|-----------------------------------------------------------------------------------------------------------------------|-----------|-----|
| 1 | Tube Fitting, Elbow (3/8 x 3/8 NPTF) | 72050 | 1 |
| 2 | Tube Fitting, Straight (3/8 x 3/8 NPTF) | 73425 | 1 |
| 3 | Swivel Nut Elbow (3/8) | 72047 | 1 |
| 4 | Gauge | 302939 | 1 |
| 5 | Tube Fitting, Straight (SAE 6) | 69671 | 1 |
| 6 | Tube Fitting, Elbow (SAE 3 Male x 1/4 NPT Female) | 302061 | 1 |
| 7 | Branch Tee | 302183 | 1 |
| 8 | Adapter (3/8" SAE Male x 1/4 NPT Female) | 303124 | 1 |
| 9 | Manifold | 303946 | 1 |
| 10 | Hose (1/4 x 54" long) | 303948 | 2 |
| KIT | Hose & Fittings Kit Items 1-3,5-8,10 (x2) Gauge sold separately. Valve & Manifold on power unit assembly 303898PU. | 303898KIT | - |

HYDRAULIC LINES AND FITTINGS – 2022 and prior

For presses made year **2022 and prior (Serial No. < WOD-7942).**

Valve control handle up & down configuration. Refer to component breakdown below



| Item | Description | Part No. | Qty |
|------|---------------------------------------------------|-----------|-----|
| 1 | Tube Fitting, Elbow (3/8 x 3/8 NPTF) | 72050 | 1 |
| 2 | Tube Fitting, Straight (3/8 x 3/8 NPTF) | 73425 | 1 |
| 3 | Swivel Nut Elbow (3/8) | 72047 | 1 |
| 4 | Gauge | 302939 | 1 |
| 5 | Tube Fitting, Straight (SAE 6) | 69671 | 1 |
| 6 | Tube Fitting, Elbow (SAE 6-6) | 72402 | 1 |
| 7 | Branch Tee | 302183 | 1 |
| 8 | Tube Fitting, Elbow (SAE 3 Male x 1/4 NPT Female) | 302061 | 1 |
| 9 | Manifold | 302224 | 1 |
| - | Hose (3/8 x 54" long) | 302201 | 2 |
| KIT | Hose/Fitting & Valve Kit (Items 1-9 & hoses x2) | 301856KIT | - |

ELECTRIC SCHEMATIC

| MACH'G. TOLERANCE UNLESS SPECIFIED | DATE | SYM. | CHANGES | BY |
|---------------------------------------------------------------------------------|----------|------|--------------------------------------------|-----|
| FRACTIONAL: ±.010 DECIMAL: ±.002 ANGLE: ±1/2° BREAK EDGES REMOVE BURRS | 10/01/08 | A | SW. LAYOUT REV. & NOTES ADDED | HDD |
| | | | SWAPPED T5 & T8 AND CCW & CW - PER B. PAGE | SK |
| UNDERScoreD DIMENSIONS NOT TO SCALE | | | | |

87175

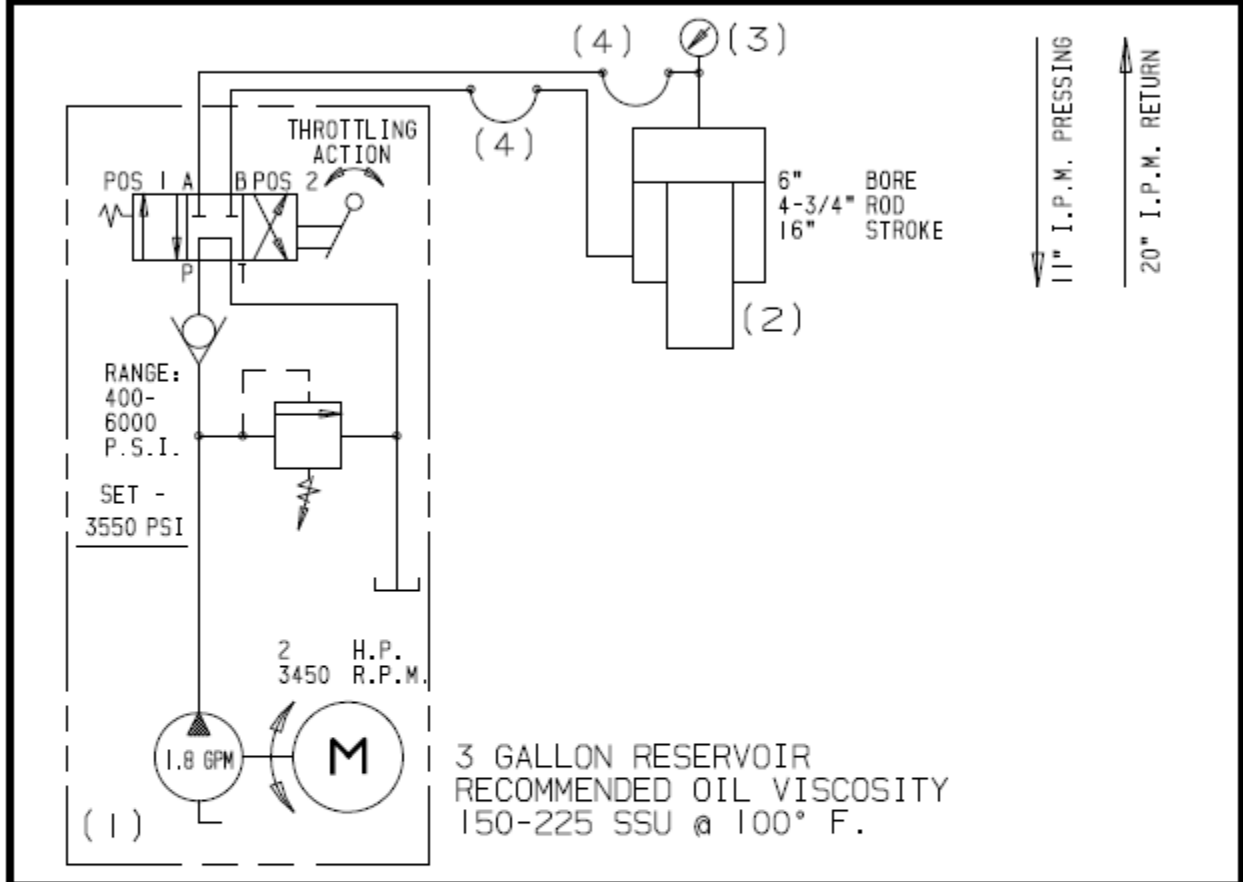
CW ROTATION FACING LEAD END AS SHOWN,
INTERCHANGE LEADS T5 & T8 FOR CCW.

| | | | |
|------------------------------------|-----------------------------|-----------|----------|
| DAKE GRAND HAVEN, MICH. | ELECTRICAL CONTROL / WIRING | | |
| SCALE: <u>NA</u> | MAT'L. | STOCK NO. | USED ON |
| DR. <u>HDD</u> TR. _____ | | | 909250 |
| CH. _____ AP. _____ | DESIGNED BY _____ | PATT. NO. | FILE NO. |
| DATE: <u>1/23/08</u> <u>11:02A</u> | APPROVED BY _____ | | 87175 |

HYDRAULIC SCHEMATIC

SEQUENCE OF OPERATION

IDLE - HANDLE NEUTRAL, PRESSURE IN CYLINDER LOCKS.
 PRESSING - HANDLE POS. #1, CLOSE AND/OR THROTTLE FOR RAM MOVEMENT AND/OR PRESSURE.
 RETURN - HANDLE POS. #2, OPEN AND/OR THROTTLE FOR RAM MOVEMENT AND/OR DECOMPRESSION.



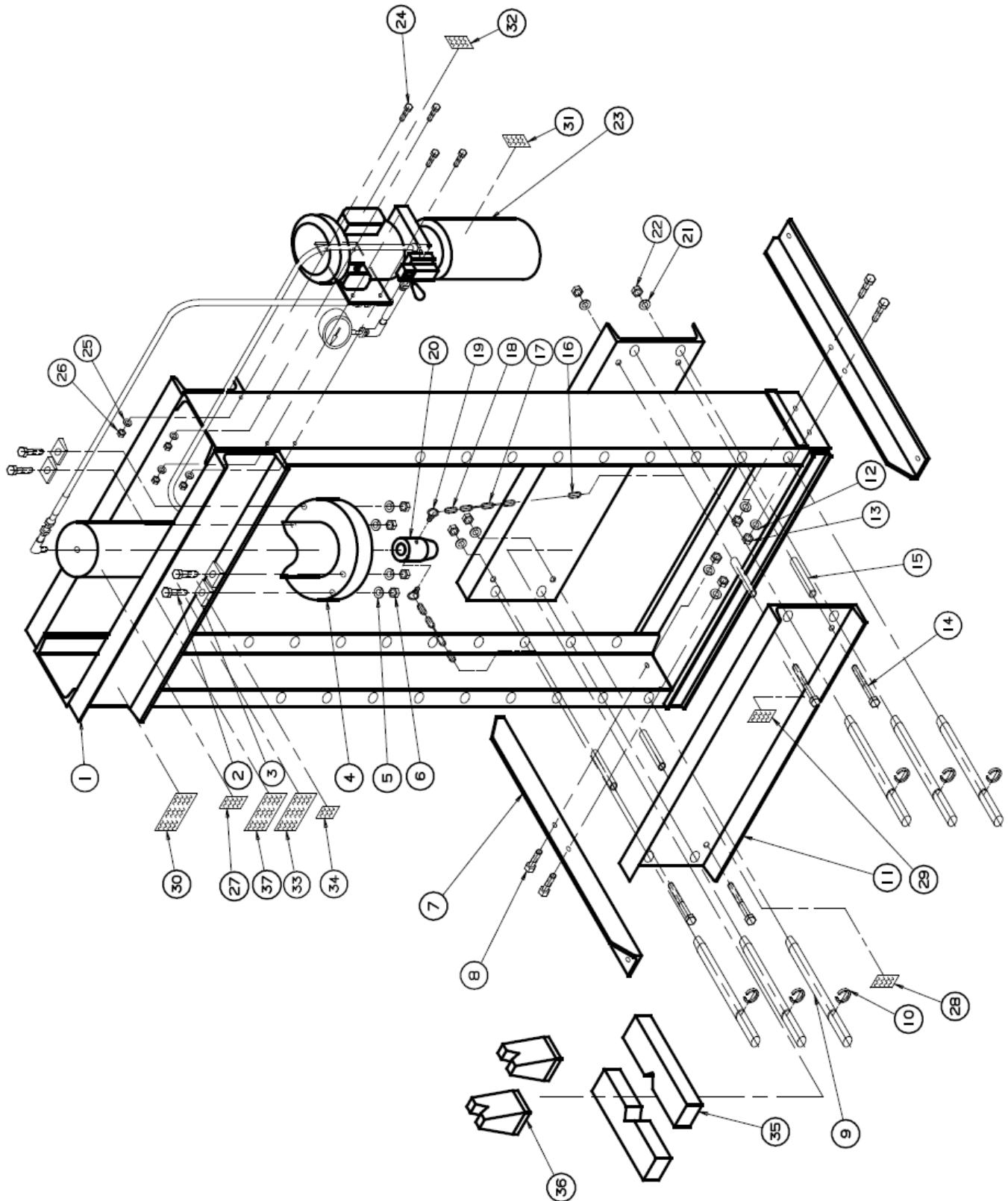
| ITEM | QUAN. | DESCRIPTION | MODEL NO. | MAKE |
|------|-------|-------------------|-----------|------|
| 4 | 2 | HOSE | | DAKE |
| 3 | 1 | GAUGE - 50 TON | 302939 | DAKE |
| 2 | 1 | WORKHEAD - 50 TON | 716547 | DAKE |
| 1 | 1 | POWER UNIT | | DAKE |

COMPONENT LIST

| | | | | |
|-----------------------|--|-------------------|-----------|------------------|
| DAKE | | HYDRAULIC DIAGRAM | | |
| GRAND HAVEN, MICHIGAN | | MAT'L. | | SIZE USED ON |
| DRAWN: S K | | | | 9-250 |
| SCALE: NONE | | STOCK NO. | PATT. NO. | FILE NO. |
| DATE: 11/14/08 | | | | A DRW. NO. 87211 |

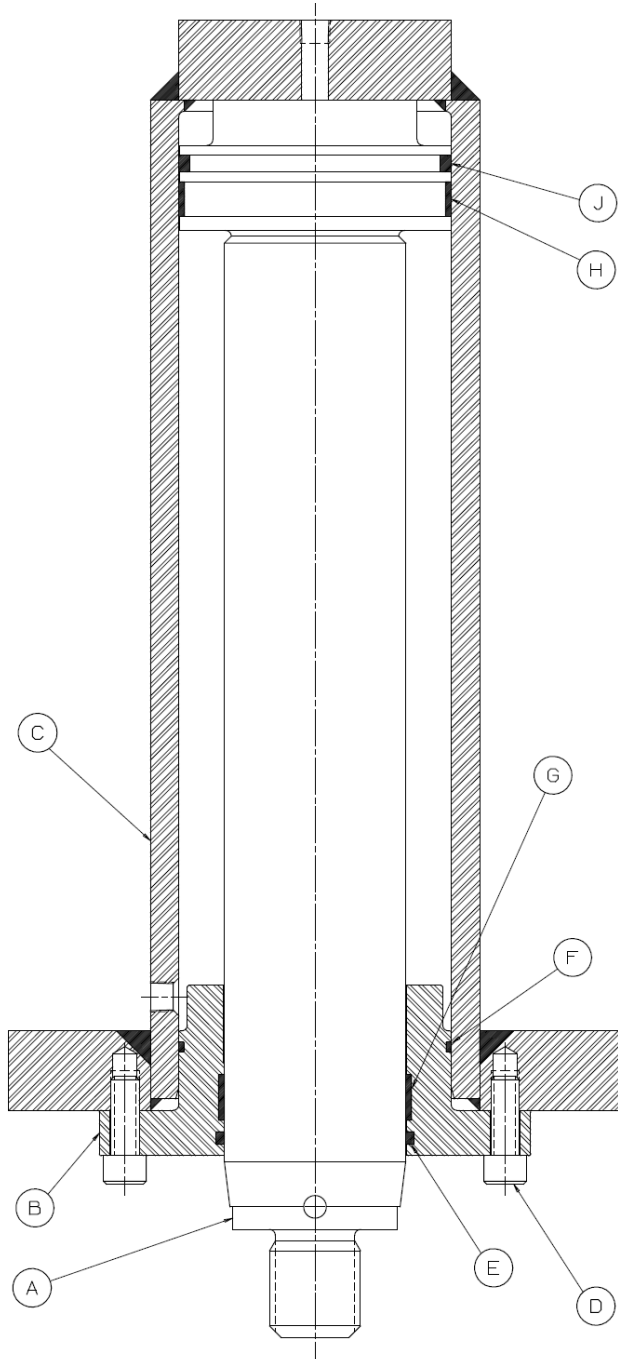
THIS DRAWING AND THE INFORMATION HEREON IS THE PROPERTY OF DAKE AND MUST NOT BE TRANSFERRED TO ANY THIRD PARTY OR BE USED FOR THE MANUFACTURE, PURCHASE OR SALE OF ITEMS WITHOUT WRITTEN CONSENT OF DAKE

EXPLODED VIEWS & PARTS LISTS



| Item | Description | Part No. | Qty |
|------|---------------------------------------------------------------------------------------------------|-----------|-----|
| 1 | Frame | 706943 | 1 |
| 2 | Hex Cap Screw (1/2"-13 x 1/4") | 43356 | 4 |
| 3 | Channel Washer | 43657 | 4 |
| 4 | Workhead Assembly | 716547 | 1 |
| 5 | Lock Washer 1/2" | 43647 | 4 |
| 6 | Hex Nut 1/2"-13 | 43916 | 4 |
| 7 | Base Angle | 566 | 2 |
| 8 | Hex Cap Screw 1/2"-13 x 1" | 43349 | 4 |
| 9 | Table Pin | 569 | 6 |
| 10 | Retaining Ring | 43980 | 6 |
| 11 | Table Channel | 706945 | 2 |
| 12 | Lock Washer 1/2" | 43647 | 4 |
| 13 | Hex Nut 1/2"-13 | 43916 | 4 |
| 14 | Bolt 5/8"-11 x 10-1/2 | 79983 | 4 |
| 15 | Table Spacer | 86488 | 4 |
| 16 | Shackle | 301884 | 2 |
| 17 | Chain | 301881 | 2 |
| 18 | Spring Snap | 301882 | 4 |
| 19 | Eye Bolt | 301880 | 2 |
| 20 | Nose Piece | 87138 | 1 |
| 21 | Lock Washer 5/8" | 43648 | 4 |
| 22 | Hex Nut 5/8"-11 | 43917 | 4 |
| 23 | Hydraulic Power Unit (Serial No. < WOD-7942, prior to 2022) | 301856PU | - |
| 23 | Hydraulic Power Unit (2022) Includes valve & manifold. (Serial No. > WOD-7942, 2022 and after) | 303898PU | 1 |
| 24 | Hex Cap Screw 5/16"-18 x 1" | 43315 | 4 |
| 25 | Lock Washer 5/16" | 43644 | 4 |
| 26 | Hex Nut 5/16"-18 | 43911 | 4 |
| 28 | Pin Warning Label | 84487 | 1 |
| 29 | Pin Holes Warning Label | 84399 | 1 |
| 30 | Ganged Warning Label | 300168 | 1 |
| 31 | Lockout Procedure Label | 76462 | 1 |
| 32 | Voltage Warning Label | 84395 | 1 |
| 34 | Label – Made in USA | 76936 | 1 |
| 35 | Table Plate | 702 | 2 |
| 36 | V-Block (Not Included/Optional) | 336 | 2 |
| 37 | Dake Name Plate | 81003 | 1 |
| - | Hose Kit/Valve Kit (Serial No. < WOD-7942, prior to 2022) | 301856KIT | - |
| - | Hose Kit/Fittings Kit (Serial No. > WOD-7942, 2022 & after) | 303898KIT | 1 |

50 DA WORKHEAD DIAGRAM



| ITEM | DESCRIPTION | PART NO. | QTY |
|------|-------------------|----------|-----|
| A | Piston | 87135P | 1 |
| B | Piston Guide | 87136P | 1 |
| C | Cylinder | 87134P | 1 |
| D | Socket Head Screw | 43485 | 8 |
| E | Seal | 37044 | 1 |
| F | T-Ring | 37048 | 1 |
| G | Wear Ring | 37045 | 1 |
| H | Wear Ring | 37046 | 1 |
| J | T-Ring Deal | 17942 | 1 |
| - | Workhead Assembly | 716547 | - |

Workhead repair kit

716578

Includes Items:

E,F,G,H and J

POWER UNIT REPLACEMENT PARTS

If press was manufactured year **2022 or later (Serial No. > WOD-7942)**, power unit, valve, hose, and fittings will be of new configuration. See components below.

| Description | Part No. |
|--------------------------------------------|-----------|
| Motor | 303927 |
| Run Capacitor | 303928 |
| Starter Capacitor | 303929 |
| Fan Cover | 303947 |
| Relief Valve | 303930 |
| 4-Way Valve | 303931 |
| Manifold | 303946 |
| Solenoid Valve | 303945 |
| Teflon Backing Ring | 303944 |
| O-Ring | 303943 |
| O-Ring | 303942 |
| Transition Plate | 303941 |
| Pump | 303940 |
| Strainer | 303939 |
| Plug (3/4 BSP) | 303938 |
| Bonded Seal | 303937 |
| Plug (3/4-12 BSP) | 303936 |
| O-Ring for Reservoir/Tank | 303935 |
| Reservoir – 3 Gallon | 303934 |
| Full Hydraulic Unit (Except Motor) | 303933 |
| Hose & Fittings Kit | 303898KIT |
| Power Unit (Motor, Pump, Valves, Manifold) | 303898PU |

For presses made year **2022 and prior (Serial No. < WOD-7942)**. See components below.

| Description | Part No. |
|---------------------------|-----------|
| Motor | 302235 |
| Pump | 302994 |
| Fan Cover | 302606 |
| Capacitor Case | 302605 |
| Capacitor | 302887 |
| 4-Way Valve | 301864A |
| Fittings/Hose & Valve Kit | 301856KIT |
| Power Unit | 301856PU |

Please contact factory for current prices.

ORDERING INFORMATION

Parts are available for direct purchase from Dake or through a distributor. When placing a parts order, you will need to provide the part number, name of part, and model number. All parts shipped F.O.B. Factory in Grand Haven, MI.