

ELECTRIC SCHEMATIC

MACH'G. TOLERANCE UNLESS SPECIFIED	DATE	SYM.	CHANGES	BY
FRACTIONAL: ±.010	10/01/08	A	SW. LAYOUT REV. & NOTES ADDED	HDD
DECIMAL: ±.002	12/18/14		SWAPPED T5 & T8 AND CCW & CW - PER B. PACE	SK
ANGLE: ±1/2°				
UNDERScoreD DIMENSIONS NOT TO SCALE				

87175

MOTOR LEADS

LOW VOLTAGE

T1 T3 T5 T2 T4 T8

L1 L2

POWER IN
110 VOLTS
1 PHASE
50/60 HZ
26.2 AMP

GROUND SCREW (A)

SWITCH ON OFF

SWITCH TOP (A)

MOTOR LEADS

HIGH VOLTAGE

T1 T2 T3 T5 T4 T8

L1 L2

POWER IN
208 - 230 V
1 PHASE
50/60 HZ
13.1 AMP

GROUND SCREW (A)

SWITCH ON OFF

SWITCH TOP (A)

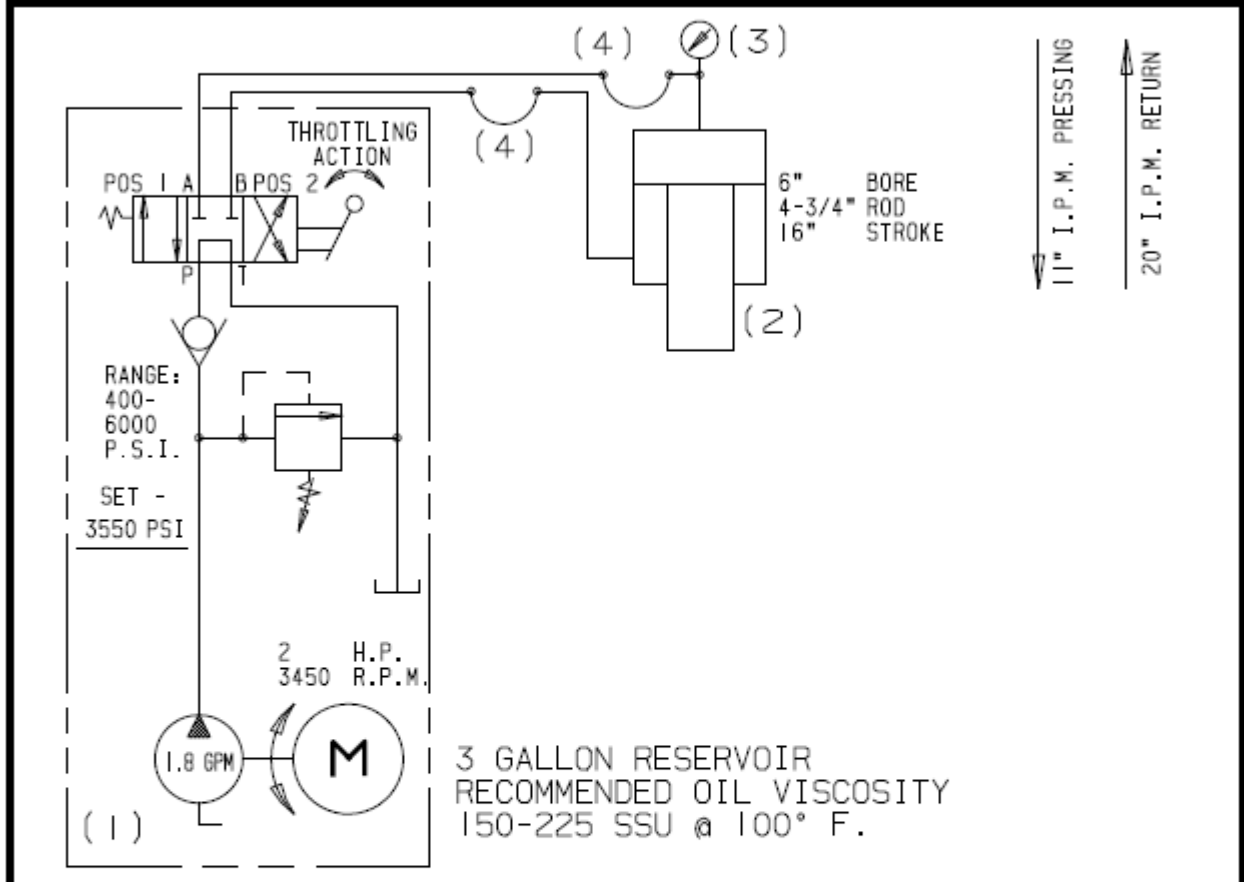
CW ROTATION FACING LEAD END AS SHOWN,
INTERCHANGE LEADS T5 & T8 FOR CCW.

DAKE GRAND HAVEN, MICH.		ELECTRICAL CONTROL / WIRING			
SCALE: NA	MAT'L.	STOCK NO.	USED ON 909250		
DR. HDD	TR.	DESIGNED BY	PATT. NO.	FILE NO.	DRW. NO. 87175
CH.	AP.	APPROVED BY			
DATE: 1/23/08	1:02A				

HYDRAULIC SCHEMATIC

SEQUENCE OF OPERATION

IDLE - HANDLE NEUTRAL, PRESSURE IN CYLINDER LOCKS.
 PRESSING - HANDLE POS. #1, CLOSE AND/OR THROTTLE FOR RAM MOVEMENT AND/OR PRESSURE.
 RETURN - HANDLE POS. #2, OPEN AND/OR THROTTLE FOR RAM MOVEMENT AND/OR DECOMPRESSION.



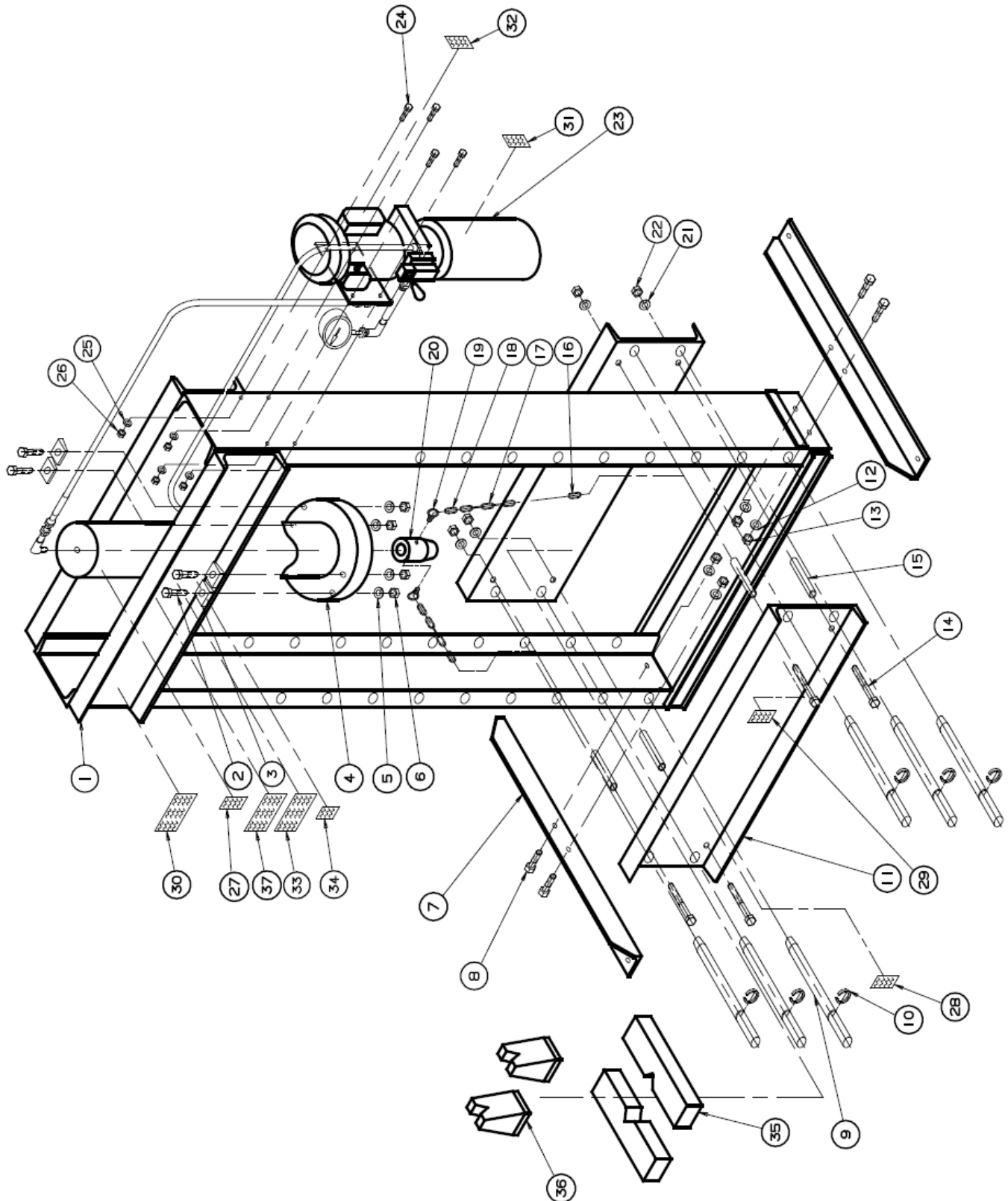
4	2	HOSE	302201	DAKE
3	1	GAUGE - 50 TON	302939	DAKE
2	1	WORKHEAD - 50 TON	716547	DAKE
1	1	POWER UNIT	301856	DAKE
ITEM	QUAN.	DESCRIPTION	MODEL NO.	MAKE

COMPONENT LIST

DAKE		HYDRAULIC DIAGRAM		
GRAND HAVEN, MICHIGAN		MAT'L.		SIZE
DRAWN: S K				USED ON
SCALE: NONE				9-250
DATE: 11/14/08		STOCK NO.	PATT. NO.	FILE NO.
				A
				DRW. NO.
				87211

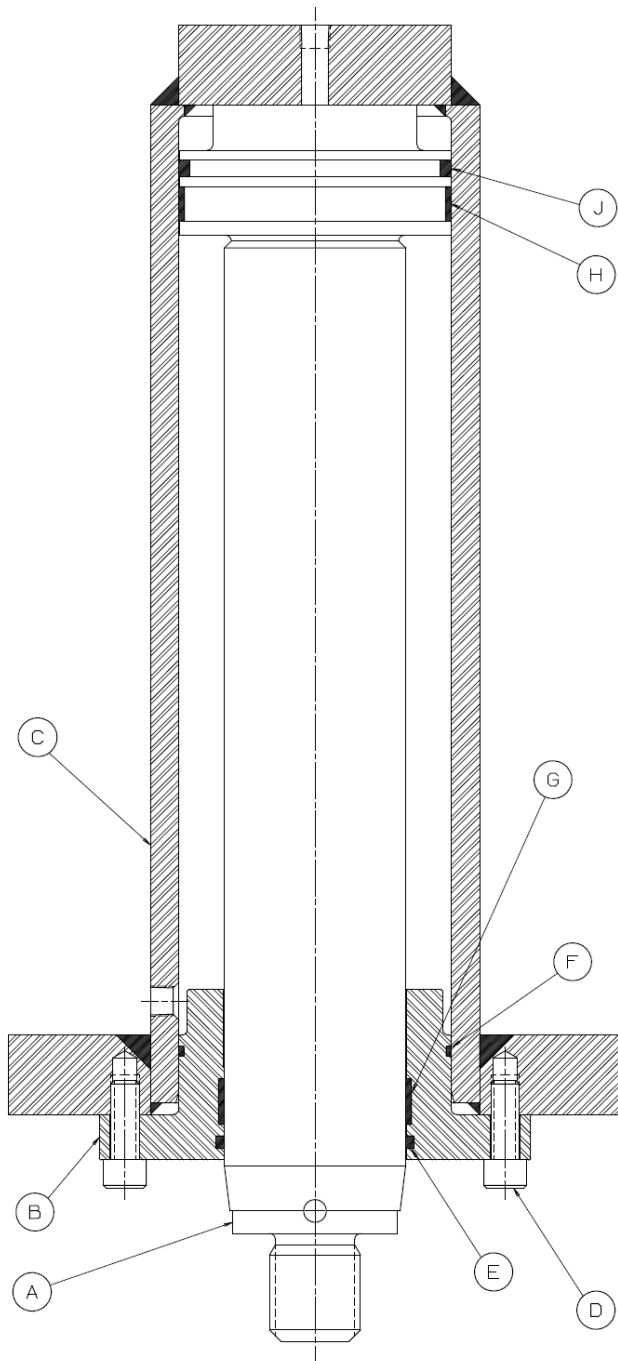
THIS DRAWING AND THE INFORMATION HEREON IS THE PROPERTY OF DAKE AND MUST NOT BE TRANSFERRED TO ANY THIRD PARTY OR BE USED FOR THE MANUFACTURE, PURCHASE OR SALE OF ITEMS WITHOUT WRITTEN CONSENT OF DAKE

EXPLODED VIEW & PARTS LIST



Item	Description	Part No.	Qty
1	Frame	706943	1
2	Hex Cap Screw (1/2"-13 x 1/4")	43356	4
3	Channel Washer	43657	4
4	Workhead Assembly	716547	1
5	Lock Washer 1/2"	43647	4
6	Hex Nut 1/2"-13	43916	4
7	Base Angle	566	2
8	Hex Cap Screw 1/2"-13 x 1"	43349	4
9	Table Pin	569	6
10	Retaining Ring	43980	6
11	Table Channel	706945	2
12	Lock Washer 1/2"	43647	4
13	Hex Nut 1/2"-13	43916	4
14	Bolt 5/8"-11 x 10-1/2	79983	4
15	Table Spacer	86488	4
16	Shackle	301884	2
17	Chain	301881	2
18	Spring Snap	301882	4
19	Eye Bolt	301880	2
20	Nose Piece	87138	1
21	Lock Washer 5/8"	43648	4
22	Hex Nut 5/8"-11	43917	4
23	Hydraulic Power Unit	301856PU	1
24	Hex Cap Screw 5/16"-18 x 1"	43315	4
25	Lock Washer 5/16"	43644	4
26	Hex Nut 5/16"-18	43911	4
28	Pin Warning Label	84487	1
29	Pin Holes Warning Label	84399	1
30	Ganged Warning Label	300168	1
31	Lockout Procedure Label	76462	1
32	Voltage Warning Label	84395	1
34	Label – Made in USA	76936	1
35	Table Plate	702	2
36	V-Block	336	2
37	Dake Name Plate	81003	1
-	Hose Kit/Valve	301856KIT	1

50 DA WORKHEAD DIAGRAM



ITEM	DESCRIPTION	PART NO.	QTY
A	Piston	87135	1
B	Piston Guide	87136	1
C	Cylinder	87134	1
D	Socket Cap Screw	43485	8
E	Seal	37044	1
F	T-Ring	37048	1
G	Wear Ring	37045	1
H	Wear Ring	37046	1
J	T-Ring Seal	17942	1

Please contact factory for current prices.

ORDERING INFORMATION

Parts are available for direct purchase from Dake or through a distributor. When placing a parts order, you will need to provide the part number, name of part, and model number. All parts shipped F.O.B. Factory in Grand Haven, MI.