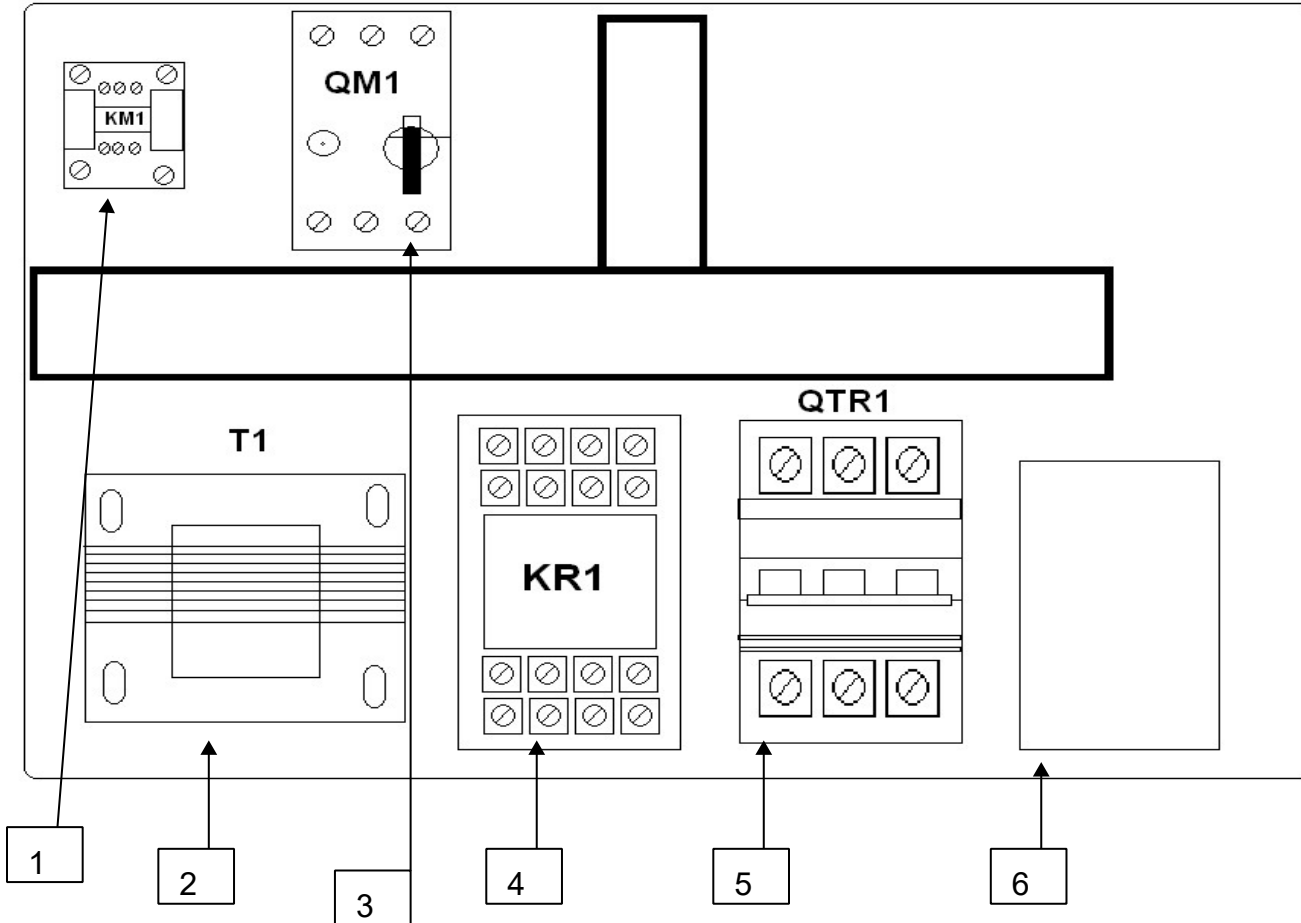


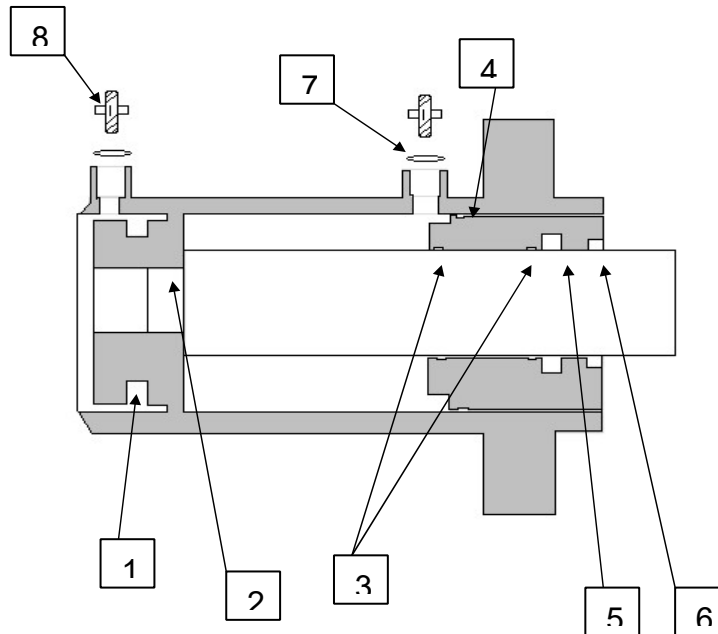
PARTS LIST

Electrical Box Components:



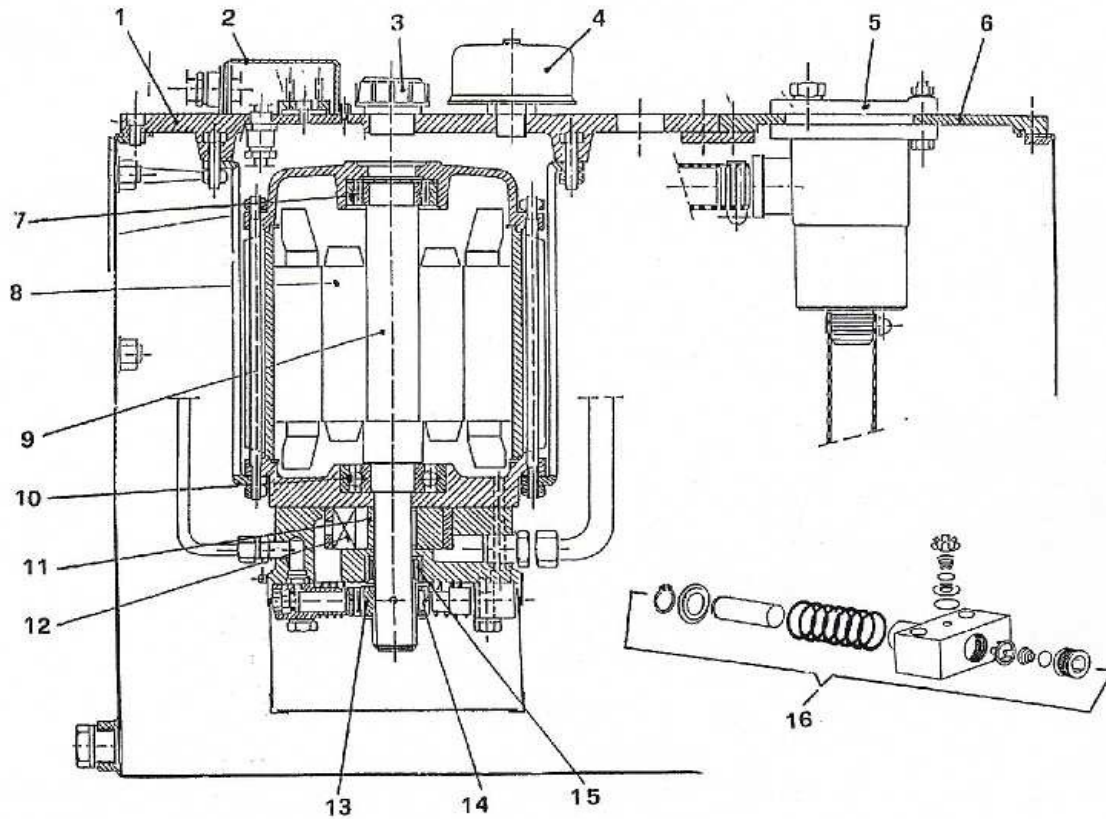
| <u>Item</u> | <u>Description</u> | <u>40 Ton</u> | <u>70 Ton</u> | <u>100 Ton</u> |
|-------------|-----------------------|---------------|---------------|----------------|
| 1 | Contactors | | | |
| 2 | Transformer | 300842 | 300842 | 300842 |
| 3 | Overload 220-volt | 302187 | 302187 | 302187 |
| 3 | Overload 440-volt | 302189 | 302189 | 302188 |
| 3A3 | N.O. Contact Block | 302192 | 302192 | 302192 |
| 4 | Relay | 7230000 | 7230000 | 7230000 |
| 5 | Fuse Block | 300843 | 300843 | 300843 |
| 5B | Fuse 2 Amp | 77523 | 77523 | 77523 |
| 6 | Terminal Block Ground | | | |
| 6A | Terminal Block Black | | | |
| | On-Off Switch Body | 302728 | 302728 | 302728 |

Cylinder:



| <u>Item</u> | <u>Description</u> | <u>40 Ton</u> | <u>70 Ton</u> | <u>100 Ton</u> |
|-------------|-----------------------------------|------------------|------------------|------------------|
| 1 | Piston Gasket | 300609 | 301195 | 301189 |
| 2 | Piston O-Ring | 300610 | 301196 | 301186 |
| 3 | Head Guide Ring | 300647 | 301197 | 301187 |
| 4 | Head O-Ring | 300648 | 301198 | 301188 |
| 5 | Head Gasket | 300649 | 301199 | 301185 |
| 6 | Head Scraper | 300650 | 301200 | 301184 |
| 7 | Washer | | | |
| 8 | Hose Fitting (Top) | 300890 | 300890 | 300890 |
| 8A | Hose Fitting (Bottom) | 301390 | 301390 | 301390 |
| | Gauge | 301721 | 301720 | 301719 |
| | Gauge Adapter | 301813 | 301813 | 301813 |
| | Hydraulic Hose A | 300383 | 300383 | |
| | Hydraulic Hose B | 300382 | 300382 | |
| | Eye Bolt | 301880 | 301880 | 301880 |
| | Nose Piece Bolt | 300793 | 300793 | 300793 |
| | Cylinder Bolts w/ Jam Nut | 303795 303797 | 303796 303797 | 301136 303797 |
| | Cylinder Fitting w/ Seal (B Port) | 302957 301365 | 302957 301365 | 302957 301365 |
| | Repair Kit | 716791 | 716790 | 716789 |
| | Complete Cylinder | 300698 | 300642 | SS100C00 |

Hydraulic Pumping Unit:



| <u>Item</u> | <u>Description</u> | <u>40 Ton</u> | <u>70 Ton</u> | <u>100 Ton</u> |
|-------------|---|---------------|---------------|----------------|
| 1 | Complete Power Unit | 300633 | 300633 | 79937 |
| 1 | Tank Cover | 301388 | 301388 | 301391 |
| 2 | Electrical Cover | 300388 | 300388 | 300388 |
| 3 | Fill Cap | 302055 | 302055 | 302055 |
| 4 | Air Filter | 300391 | 300635 | 300224 |
| 5 | Drain Filter | 300392 | 300392 | 300223 |
| 6 | | | | |
| 7 | Back Motor Bearing | | | |
| 8* | Motor Rotor | 301848 | 301848 | |
| 9* | Driving Shaft | | | |
| 10 | Front Motor Bearing | | | |
| 11* | Pump Motor | 302200 | 302200 | |
| 12 | Blade | 302056 | 302056 | |
| 13 | Pumping Bearing | | | |
| 14 | Eccentric | | | |
| 15 | Roller Bearing | | | |
| 16 | High Pressure Pump Group | 301115 | 301115 | 301115 |
| | Outlet Filter / bottom of pump | 300393 | 300393 | 300394 |
| | Motor Windings with Shell | 301848 | 301848 | |
| | Drive Shaft Assembly (Items: 8, 9, 11) | 302200 | 302200 | |

Please contact factory for current prices.

ORDER INFORMATION

Parts are available for direct purchase from Dake or through a distributor. When placing a parts order, you will need to provide the part number, name of part, and model number. All parts shipped F.O.B. Factory in Grand Haven, MI.

DEACTIVATING THE MACHINE

If the machine is not going to be used for a long period of time it is recommended that you do the following:

1. Disconnect the press from power sources.
2. Empty the unit of oil.
3. Protect it suitably so there is no dust, moisture or other foreign bodies that can damage the machine.

DISMANTLING THE MACHINE

If the machine is not going to be used anymore it is recommended to make it inoperable by removing the oil in the tank and eliminate oil remaining in the cylinder, hydraulic lines, pump body, and valves.

When going for demolition the press must be treated as special waste, it must therefore be split into its homogenous parts. These must be separately disposed of in conformity with local and state laws along with will all OSHA regulations.