

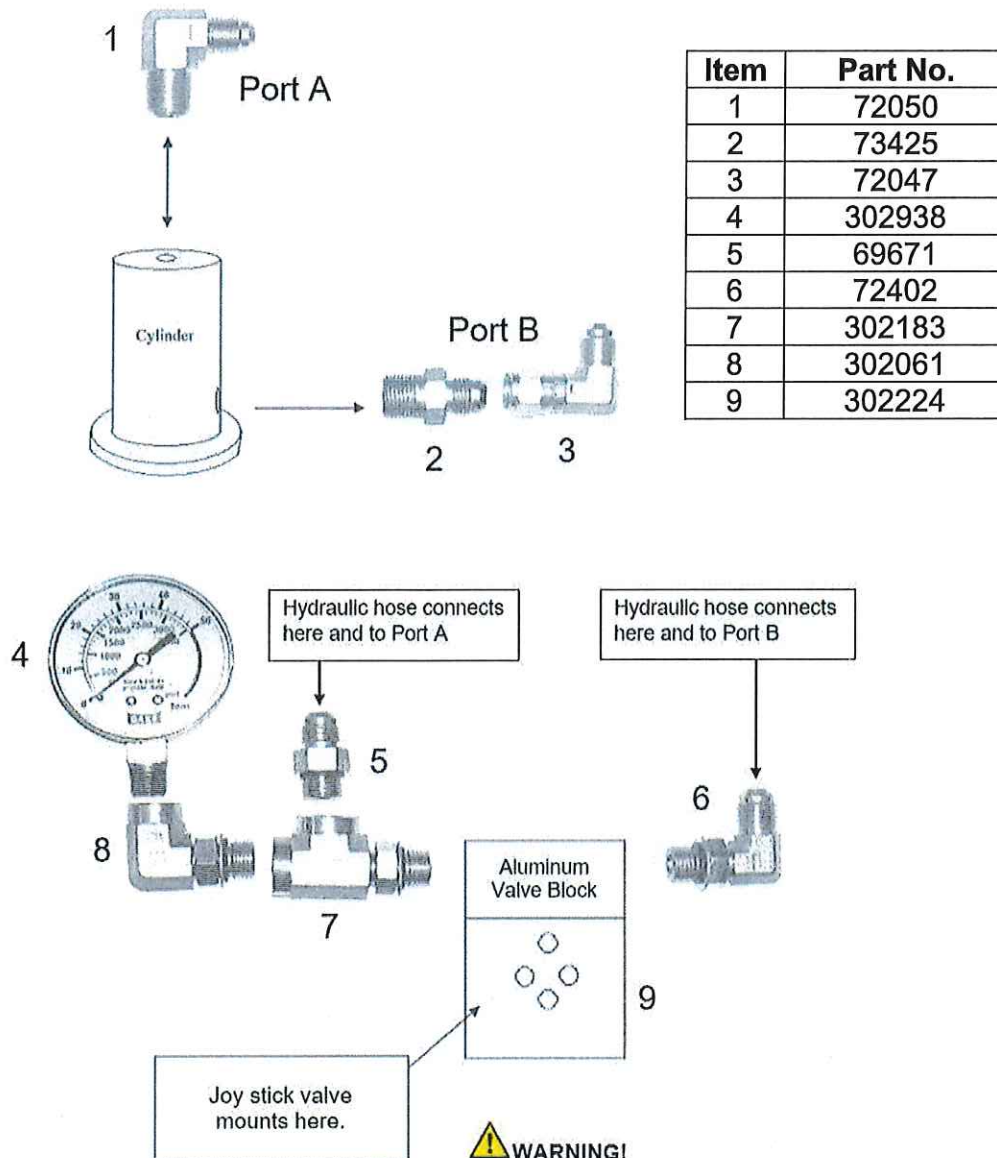
MAINTENANCE

LUBRICATION

Keep all working parts of press well oiled for easier operation. Also, keep a light film of oil over the entire surface of the ram to prevent rust.

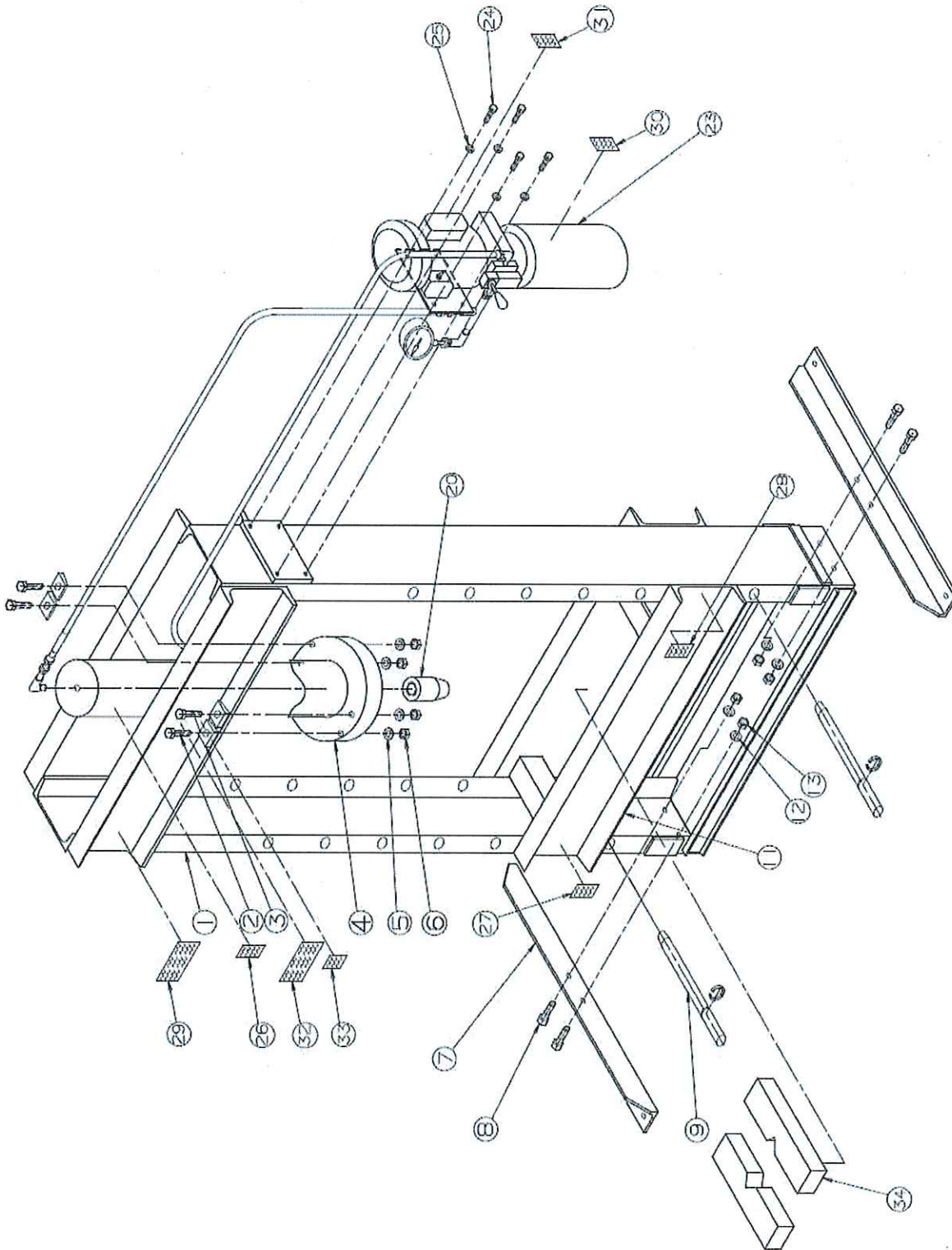
HYDRAULIC LINES AND FITTINGS

If there is ever any maintenance done with the hydraulic components below is how to reinstall all components.



WARNING!
Be sure all fittings and bolts are tight.
Do not over tighten fittings or bolts.

EXPLODED VIEWS & PART LISTS



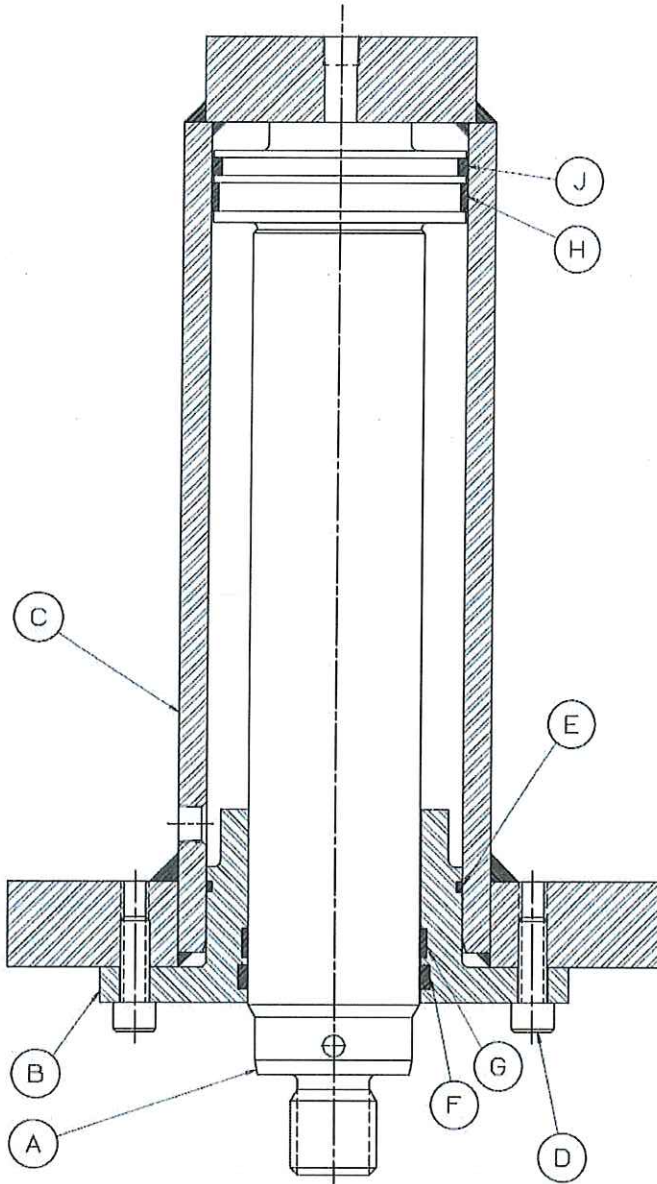


Dake Corporation
 1809 Industrial Park Dr
 Grand Haven, MI 49417
www.dakecorp.com

<u>Item</u>	<u>Part Description</u>	<u>Part No.</u>	<u>Qty</u>
1	Frame	86684	1
2	1/2" - 13NC x 2 3/4"	43355	4
3	1/2" Channel Washer	43657	4
4	Work-head Assembly	716640	1
5	1/2" Lock Washer	43647	4
6	1/2" - 13 Hex Nut	43916	4
7	Base Angle	978	2
8	1/2" - 13 x 1-1/2" Grade 5	43349	4
9	Table Pin	85407	2
11	Table Channel	86682	1
12	1/2" Lock Washer	43644	4
13	1/2" - 13 Hex Nut	43916	4
20	Nose Piece	86683	1
23	Hydraulic Power Unit	300265PU	1
24	5/16" - 18NC x 1"	43315	4
25	5/16" Flat Washer	43632	4
27	Warning Label	84487	1
28	Warning Label	84399	1
29	3-IN-1 Warning Label	300168	1
30	Safety Instructions	76462	1
31	Warning Label	84395	1
32	DAKE Name Plate	81002	1
33	Made In USA Plate	76936	1
34	Table Plates	85508	2

PARTS NOT ILLUSTRATED			
Item	Description	Part No.	Qty
Breather Vent & Elbow	Reservoir fill port	300267	1
Eyebolts		300284	2
Triangular Snap Hooks		300285	4
Coil Chain		78477	2
Gauge	Tons/PSI	302938	1
Reservoir	2 Gallons	300269	1
Valve Kit	Fittings, hoses, valve, manifold, bolts, & O-rings	300265KIT	1
Optional Check Valve		302071	1
Optional Relief Valve	290-3625 PSI or 20-250 Bar	301949	1
Optional Relief Valve	43.5-435 PSI or 3-30 Bar	302197	1
Bolts SHC #10-24 x 1-3/4"	Mounting bolts for valve only	43403	4
Bolts SHC #10-24 x 2-3/4"	Mounting bolts for valve, relieve valve, or check valve	76749	4
Bolts SHC #10-24 x 4-1/2"	Mounting bolts for valve, relieve valve, or check valve	302221	4

25 DA WOKRHEAD DIAGRAM



Item	Description	Part #
A	Piston	86463
B	Cylinder Flange	86462
C	Cylinder	86461
D	Socket Head Cap Screw	43471
E	O-Ring	79881
F	Seal	79880
G	Wear Ring	78486
H	Wear Ring	79840
J	O-Ring Seal	79882
-	Workhead Assembly	716640

Workhead repair kit	716698
Kit includes items:	E,F,G,H and J

ORDERING INFORMATION

Parts are available for direct purchase from Dake or through a distributor. When placing a parts order, you will need to provide the part number, name of part, and model number. All parts shipped F.O.B. Factory in Grand Haven, MI.



Dake Corporation
1809 Industrial Park Dr
Grand Haven, MI 49417
www.dakecorp.com