

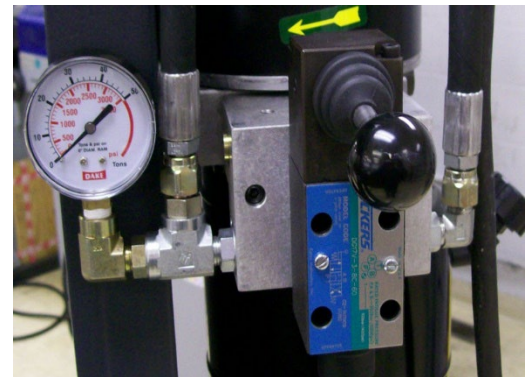
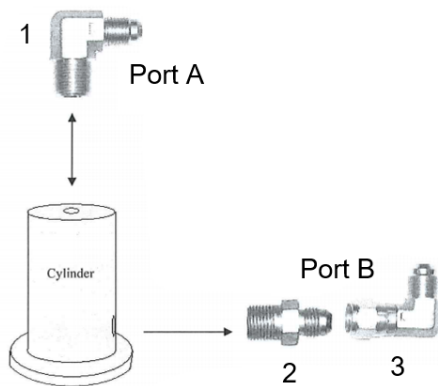
## MAINTENANCE

### LUBRICATION

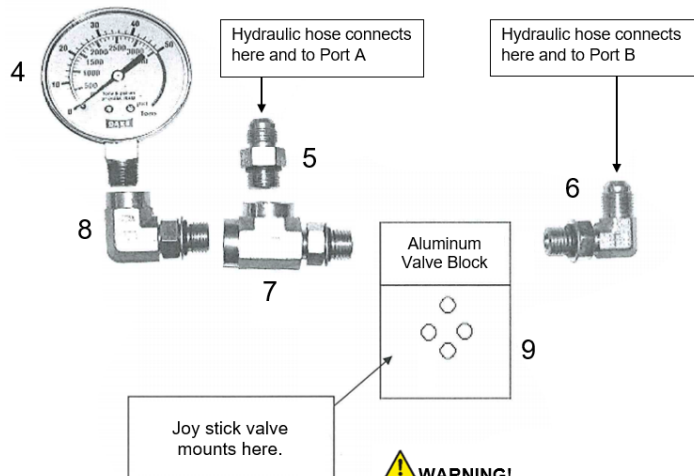
Keep all working parts of press well oiled for easier operation. Also, keep a light film of oil over the entire surface of the ram to prevent rust.

### HYDRAULIC LINES AND FITTINGS

If there is ever any maintenance done with the hydraulic components below is how to reinstall all components.

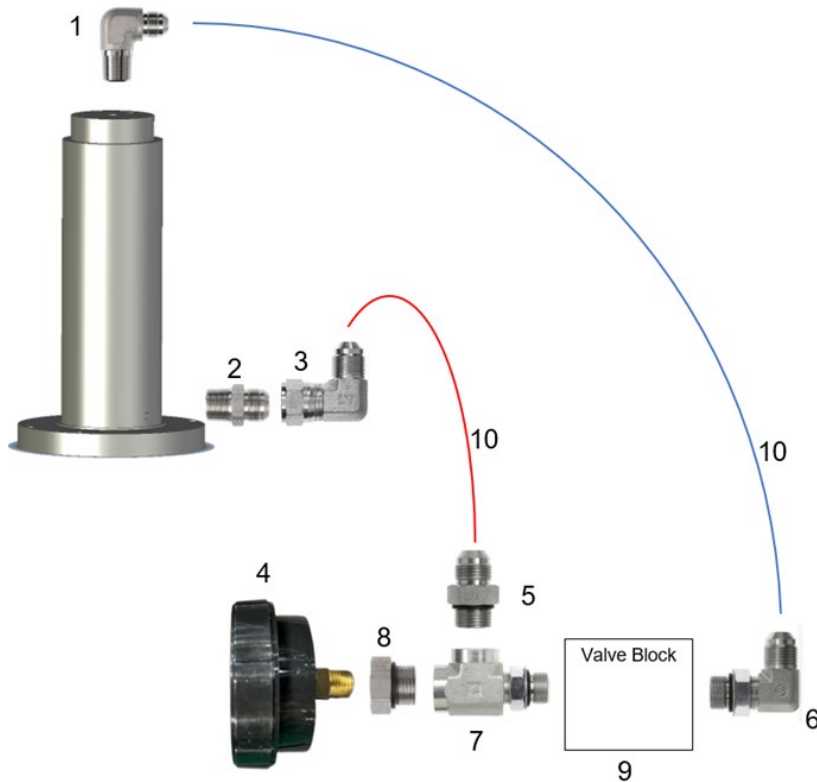


If your power unit looks like this use the numbers below for ordering



**WARNING!**  
Be sure all fittings and bolts are tight.  
Do not over tighten fittings or bolts.

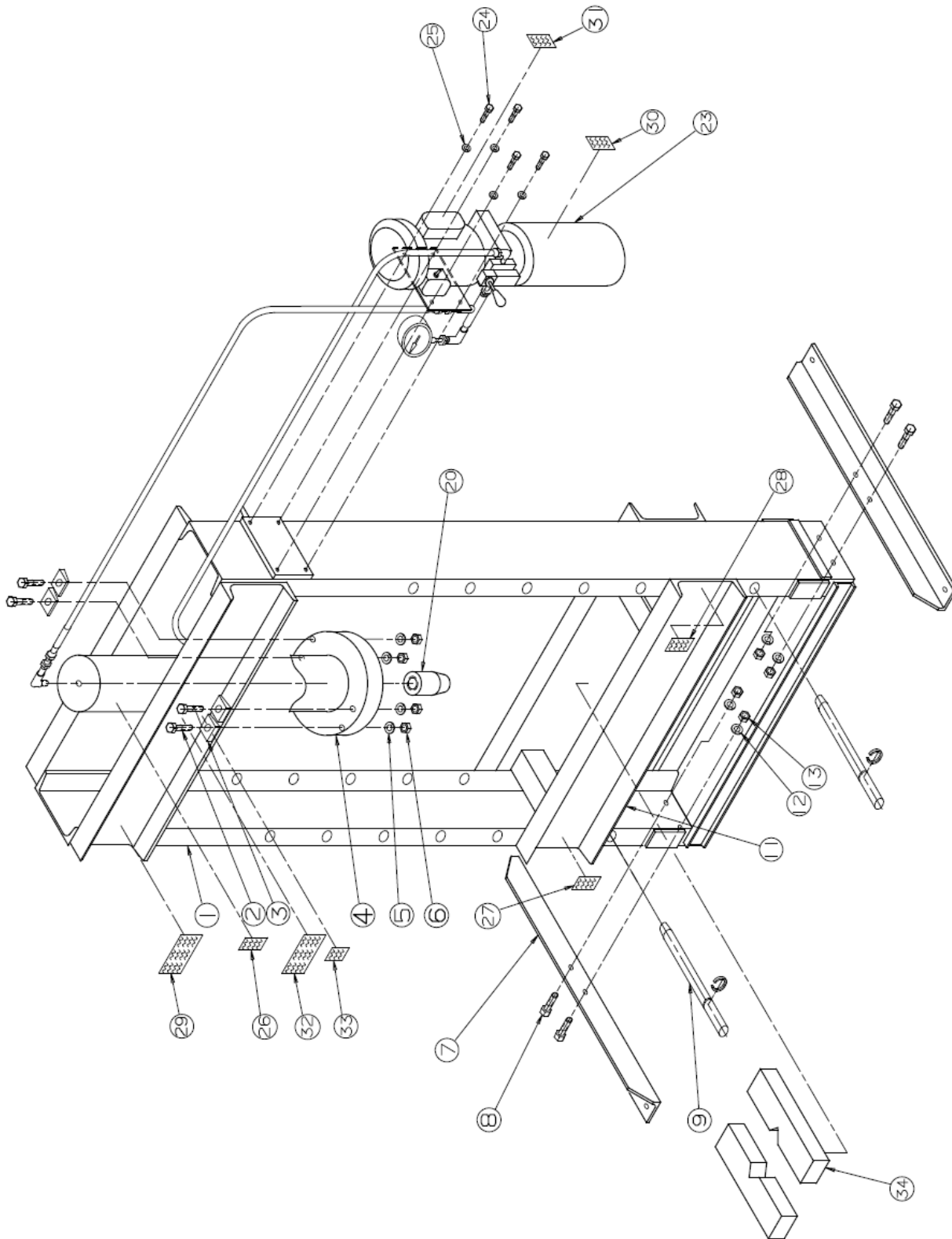
Item	Part No.
1	72050
2	73425
3	72047
4	302938
5	69671
6	72402
7	302183
8	302061
9	302224
Breather Vent & Elbow	300267
Reservoir	300269
Power Unit	300265PU
Hose & Valve kit	300265KIT
4-Way Valve	301864



If your power unit looks like this use the numbers below for ordering

Item	Description	Part No.	Qty
1	Tube Fitting, Elbow (3/8 x 3/8 NPTF)	72050	1
2	Tube Fitting, Straight (3/8 x 3/8 NPTF)	73425	1
3	Swivel Nut Elbow (3/8)	72047	1
4	Gauge	302938	1
5	Tube Fitting, Straight (SAE 6)	69671	1
6	Tube Fitting, Elbow (SAE 3 Male x 1/4 NPT Female)	302061	1
7	Branch Tee	302183	1
8	Adapter (3/8" SAE Male x 1/4 NPT Female)	303124	1
9	Manifold	303946	1
10	Hose (1/4 x 54" long)	303948	2
-	Reservoir	304097	1
KIT	Hose & Fittings Kit Items 1-3,5-8,10 (x2) Gauge sold separately.	303975KIT	-
PU	Power unit, including manifold and valve	303975PU	

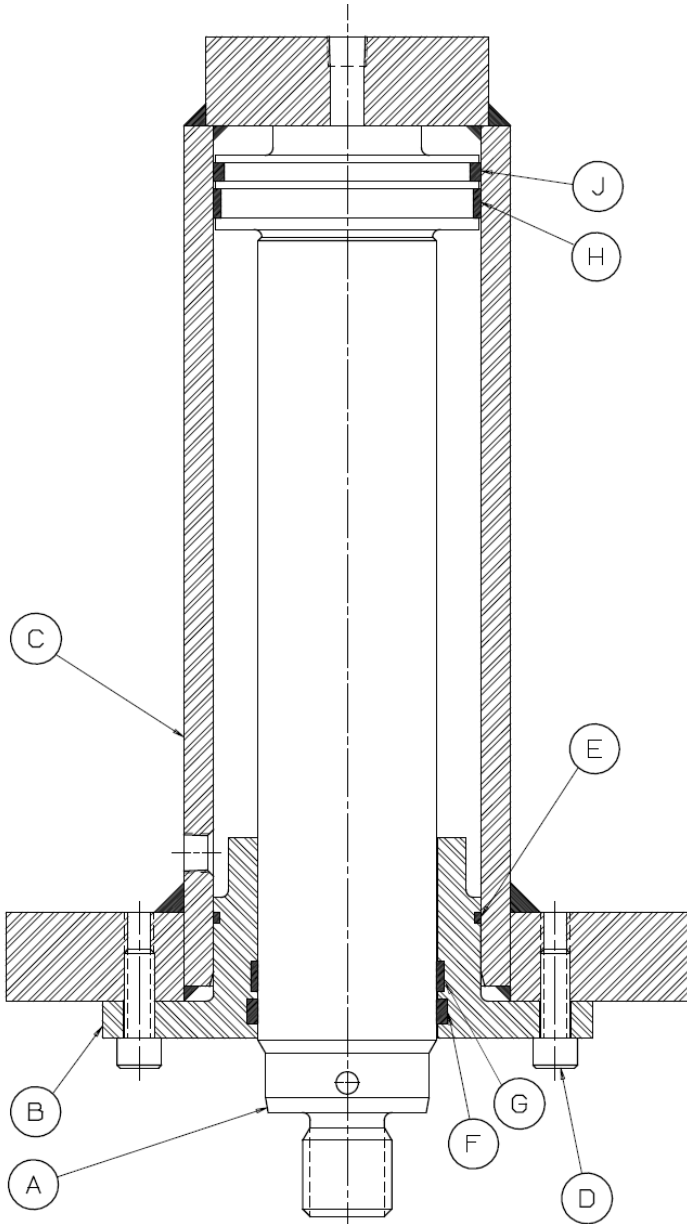
## EXPLODED VIEWS & PART



<b>Item</b>	<b>Part Description</b>	<b>Part No.</b>	<b>Qty</b>
1	Frame	86684	1
2	Screw (1/2"-13 x 2-3/4")	43355	4
3	Channel Washer (1/2")	43657	4
4	Work-head Assembly	716640	1
5	Lock Washer (1/2")	43647	4
6	Hex Nut (1/2"-13)	43916	4
7	Base Angle	978	2
8	1/2" – 13 x 1-1/2" Grade 5	43349	4
9	Table Pin	85407	2
11	Table Channel	86682	1
12	Lock Washer (1/2")	43644	4
13	Hex Nut (1/2"-13)	43916	4
20	Nose Piece	86683	1
23	Hydraulic Power Unit	See pgs. 11-12	1
24	Screw (5/16" - 18NC x 1")	43315	4
25	Flat Washer (5/16")	43632	4
27	Warning Label	84487	1
28	Warning Label	84399	1
29	3-IN-1 Warning Label	300168	1
30	Safety Instructions	76462	1
31	Warning Label	84395	1
32	DAKE Name Plate	81002	1
33	Made In USA Plate	76936	1
34	Table Plates	85508	2

<b>PARTS NOT ILLUSTRATED</b>			
<b>Item</b>	<b>Description</b>	<b>Part No.</b>	<b>Qty</b>
Breather Vent & Elbow	Reservoir fill port	300267	1
Eyebolts		300284	2
Triangular Snap Hooks		300285	4
Coil Chain		78477	2
Gauge	Tons/PSI	302938	1
Valve Kit	Fittings, hoses, valve, manifold, bolts, & O-rings	See pgs. 11-12	1
Optional Check Valve		302071	1
Optional Relief Valve	290-3625 PSI or 20-250 Bar	301949	1
Optional Relief Valve	43.5-435 PSI or 3-30 Bar	302197	1
Bolts SHC #10-24 x 1-3/4"	Mounting bolts for valve only	43403	4
Bolts SHC #10-24 x 2-3/4"	Mounting bolts for valve, relieve valve, or check valve	76749	4
Bolts SHC #10-24 x 4-1/2"	Mounting bolts for valve, relieve valve, or check valve	302221	4

## 25 DA WOKRHEAD DIAGRAM



Item	Description	Part #
A	Piston	86463
B	Cylinder Flange	86462
C	Cylinder	86461
D	Socket Head Cap Screw	43471
E	O-Ring	79881
F	Seal	79880
G	Wear Ring	78486
H	Wear Ring	79840
J	O-Ring Seal	79882
-	Workhead Assembly	716640

Workhead repair kit: 716698

Kit includes items:  
E,F,G,H and J

## ORDERING INFORMATION

Parts are available for direct purchase from Dake or through a distributor. When placing a parts order, you will need to provide the part number, name of part, and model number. All parts shipped F.O.B. Factory in Grand Haven, MI.