

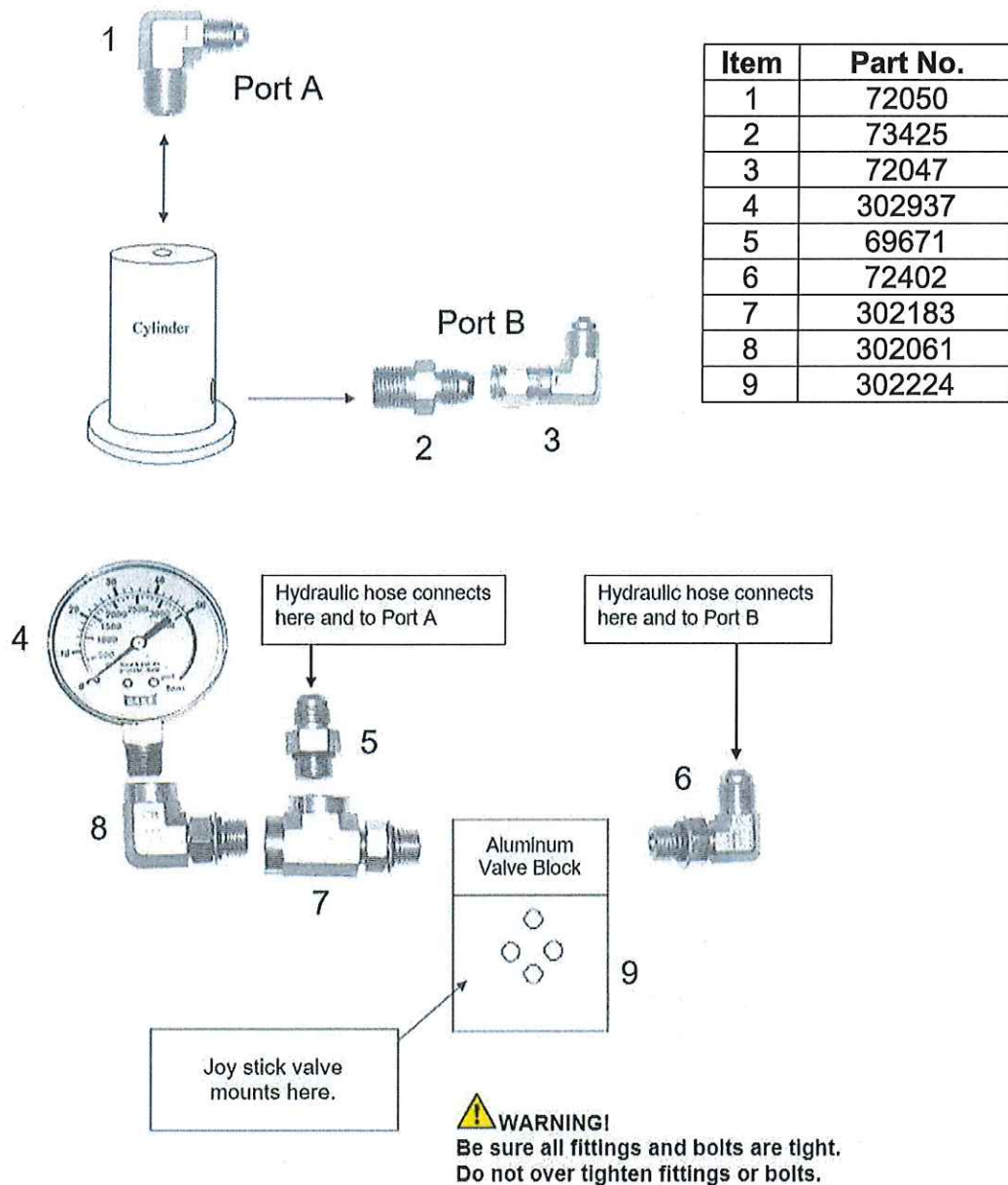
MAINTENANCE

LUBRICATION

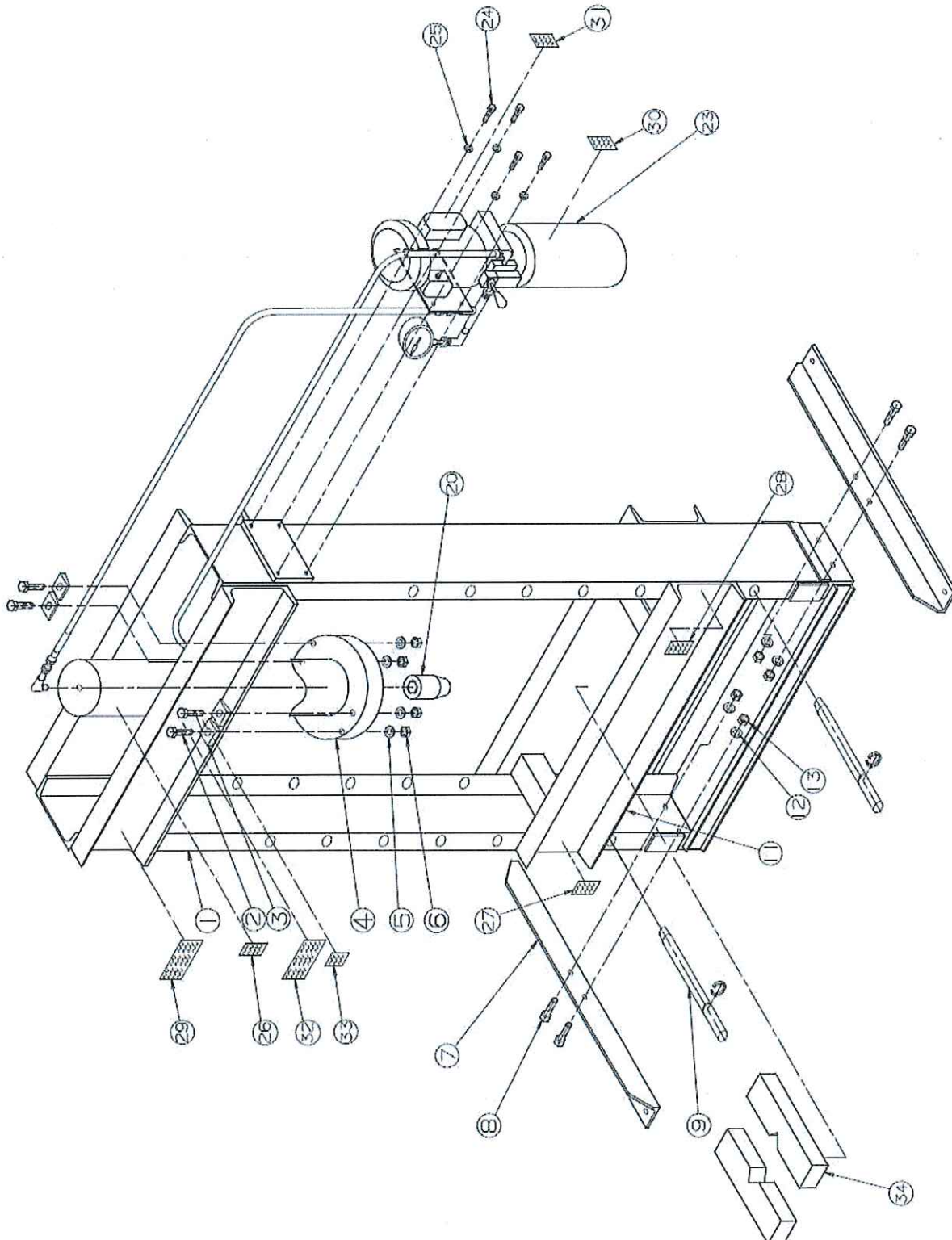
Keep all working parts of press well oiled for easier operation. Also, keep a light film of oil over the entire surface of the ram to prevent rust.

HYDRAULIC LINES AND FITTINGS

If there is ever any maintenance done with the hydraulic components below is how to reinstall all components.



EXPLODED VIEW & PARTS LIST

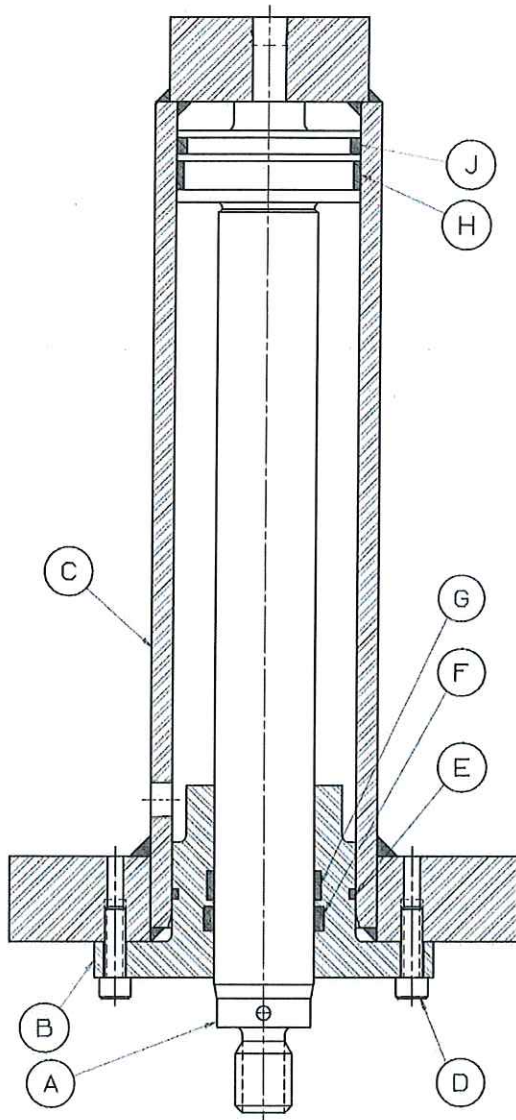




Item	Part Description	Part No.	Qty
1	Frame	86517	1
2	Hex Cap Screw (1/2"-13 x 2-3/4")	43355	4
3	Channel Washer	25H138	4
4	Workhead Assembly	716514	1
5	Lock Washer (1/2")	43647	4
6	Hex Nut (1/2"-13)	43916	4
7	Base Angle	85189	2
8	Hex Cap Screw (1/2"-13 x 1-1/2")	43349	4
9	Table Pin	86520	2
11	Table Channel	86692	1
12	Lock Washer (1/2")	43647	4
13	Hex Nut (1/2"-13)	43916	4
20	Nose Piece	86691	1
23	Hydraulic Power Unit	300266PU	1
24	Bolt (5/16"-18 x 1")	43315	4
25	Flat Washer (5/16")	43632	4
27	Warning Label	84487	1
28	Warning Label	84399	1
29	3-IN-1 Warning Label	300168	1
30	Safety Instructions	76462	1
31	Warning Label	84395	1
32	DAKE Name Plate	81002	1
33	Made in USA Plate	76936	1
34	Table Plates	85427	2

PARTS NOT ILLUSTRATED			
Item	Description	Part No.	Qty
Breather Vent & Elbow	Reservoir fill port	300267	1
Gauge	Tons/PSI	302937	1
Reservoir	2 Gallons	300269	1
Valve Kit	Fittings, hoses, valve, manifold, bolts, & O-rings	300266KIT	1
Optional Check Valve		302071	1
Optional Relief Valve	290-3625 PSI or 20-250 Bar	301949	1
Optional Relief Valve	43.5-435 PSI or 3-30 Bar	302197	1
Bolts SHC #10-24 x 1-3/4"	Mounting bolts for valve only	43403	4
Bolts SHC #10-24 x 2-3/4"	Mounting bolts for valve, relieve valve, or check valve	76749	4
Bolts SHC #10-24 x 4-1/2"	Mounting bolts for valve, relieve valve, or check valve	302221	4

10 DA WORKHEAD DIAGRAM



Item	Description	Part #
A	Piston	86690
B	Cylinder Flange	86689
C	Cylinder	86688
D	Socket Head Cap Screw	43450
E	O-Ring	78483
F	Seal	78484
G	Wear Ring	78485
H	Wear Ring	78486
J	O-Ring Seal	78487
-	Workhead Assembly	716514

10 Ton DA Workhead Specs

3-1/4" Dia. Bore
1-3/4" Dia. Rod
10-1/4" Actual Stroke
10" Rated Stroke
66 lbs. Total Weight

Workhead Repair Kit	716699
Repair Kit includes items:	E,F,G,H and J

Please contact factory for current prices.

ORDERING INFORMATION

Parts are available for direct purchase from Dake or through a distributor. When placing a parts order, you will need to provide the part number, name of part, and model number. All parts shipped F.O.B. Factory in Grand Haven, MI.