

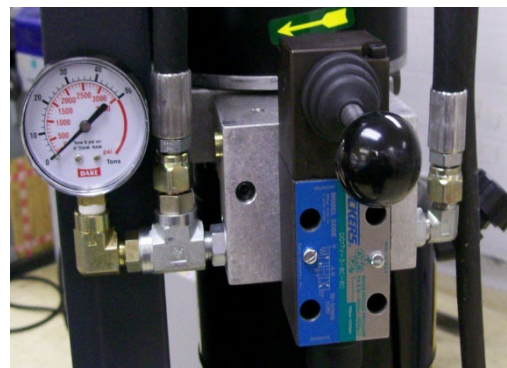
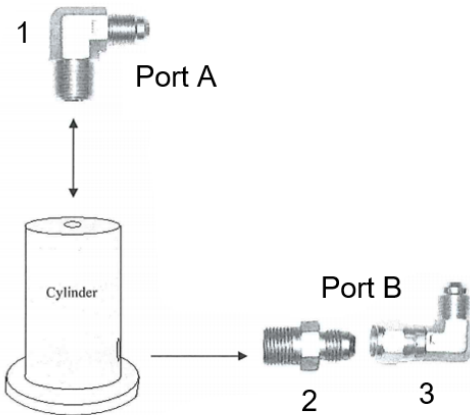
## MAINTENANCE

### LUBRICATION

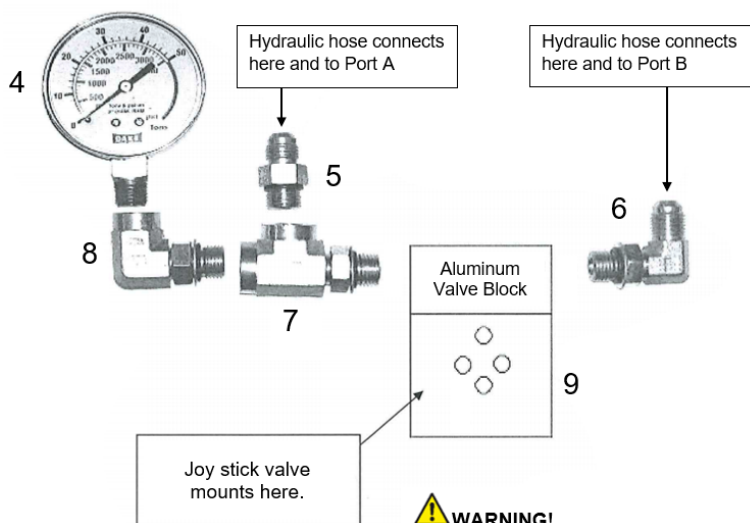
Keep all working parts of press well oiled for easier operation. Also, keep a light film of oil over the entire surface of the ram to prevent rust.

### HYDRAULIC LINES AND FITTINGS

If there is ever any maintenance done with the hydraulic components below is how to reinstall all components.

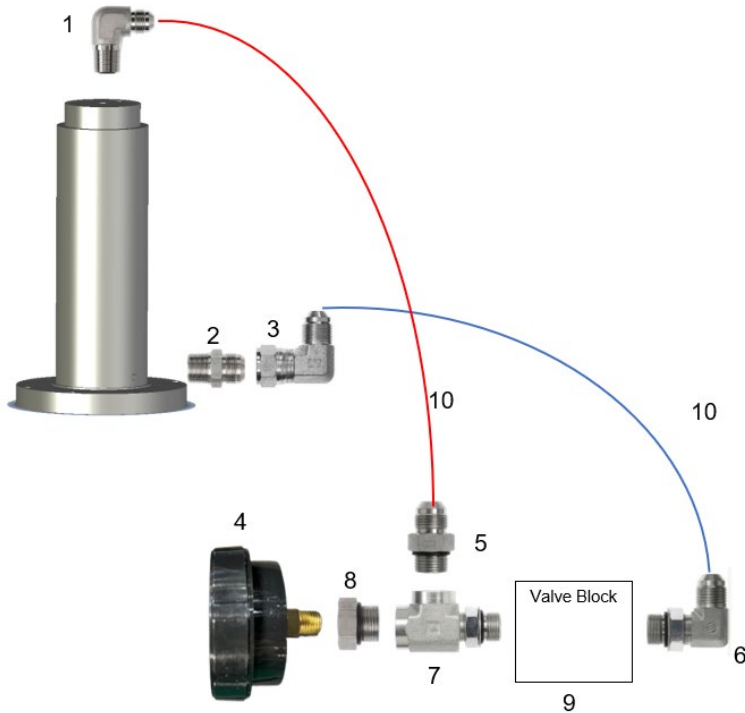


If your power unit looks like this use the numbers below for ordering



**WARNING!**  
Be sure all fittings and bolts are tight.  
Do not over tighten fittings or bolts.

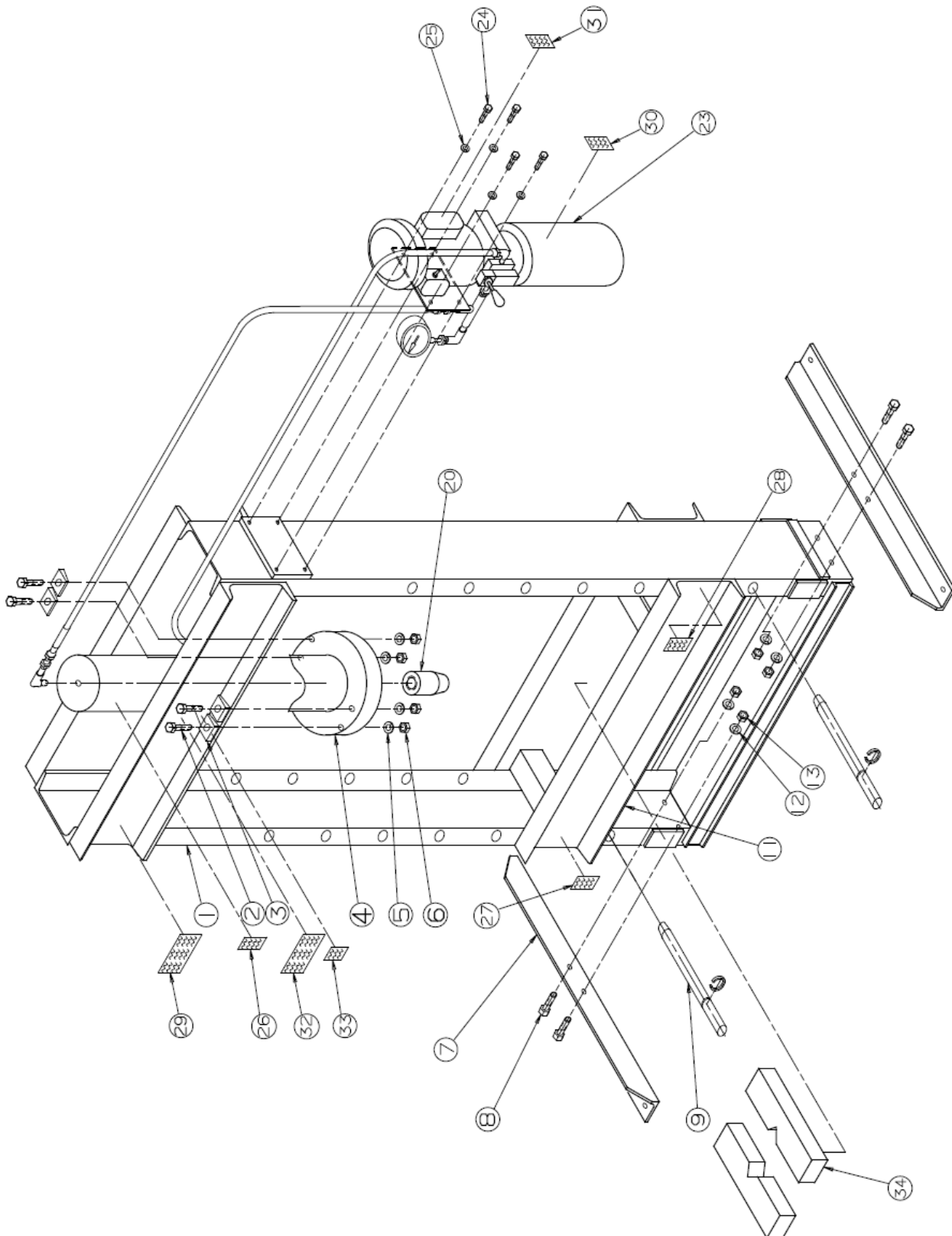
Item	Part No.
1	72050
2	73425
3	72047
4	302937
5	69671
6	72402
7	302183
8	302061
9	302224
Breather Vent & Elbow	300267
Reservoir	300269
Power Unit	300266PU
Hose & Valve Kit	300266PU
4-Way Valve	301864



If your power unit looks like this use the numbers below for ordering

Item	Description	Part No.	Qty
1	Tube Fitting, Elbow (3/8 x 3/8 NPTF)	72050	1
2	Tube Fitting, Straight (3/8 x 3/8 NPTF)	73425	1
3	Swivel Nut Elbow (3/8)	72047	1
4	Gauge	302937	1
5	Tube Fitting, Straight (SAE 6)	69671	1
6	Tube Fitting, Elbow (SAE 3 Male x 1/4 NPT Female)	302061	1
7	Branch Tee	302183	1
8	Adapter (3/8" SAE Male x 1/4 NPT Female)	303124	1
9	Manifold	303946	1
10	Hose (1/4 x 54" long)	303948	2
-	Reservoir	304097	1
Hose & Fitting Kit	Hose & Fittings Kit Items 1-3,5-8,10 (x2) Gauge sold separately.	303974KIT	-
Power Unit	Power unit, including manifold and valve	303974PU	-
In Pic	4-Way Valve only	303931	-

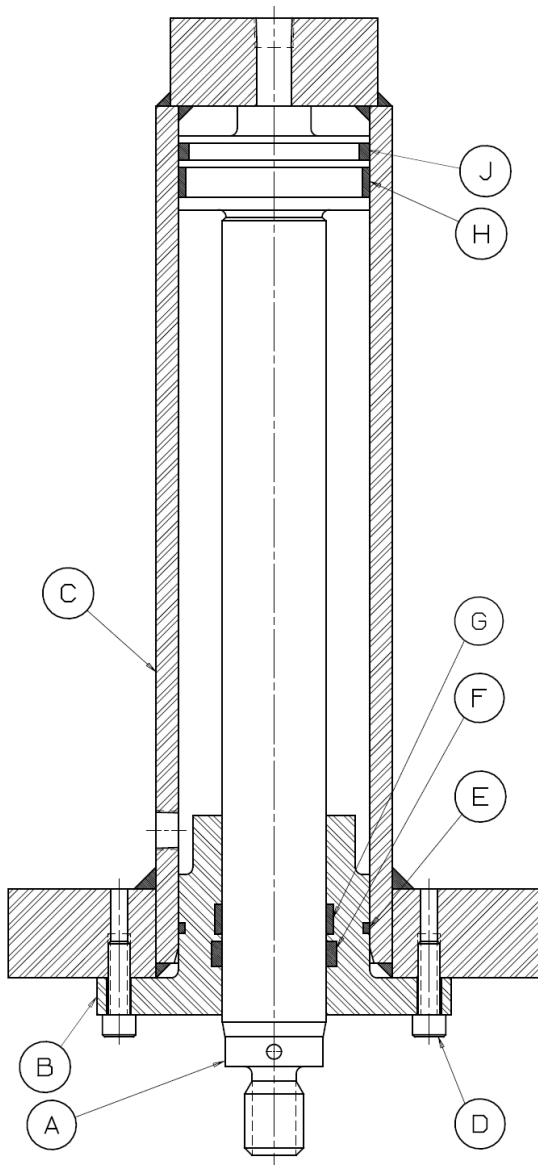
## EXPLODED VIEW & PARTS LIST



<u>Item</u>	<u>Part Description</u>	<u>Part No.</u>	<u>Qty</u>
1	Frame	86517	1
2	Hex Cap Screw (1/2"-13 x 2-3/4")	43355	4
3	Channel Washer	25H138	4
4	Workhead Assembly	716514	1
5	Lock Washer (1/2")	43647	4
6	Hex Nut (1/2"-13)	43916	4
7	Base Angle	85189	2
8	Hex Cap Screw (1/2"-13 x 1-1/2")	43349	4
9	Table Pin	86520	2
11	Table Channel	86692	1
12	Lock Washer (1/2")	43647	4
13	Hex Nut (1/2"-13)	43916	4
20	Nose Piece	86691	1
23	Hydraulic Power Unit	See pgs. 11-12	1
24	Bolt (5/16"-18 x 1")	43315	4
25	Flat Washer (5/16")	43632	4
27	Warning Label	84487	1
28	Warning Label	84399	1
29	3-IN-1 Warning Label	300168	1
30	Safety Instructions	76462	1
31	Warning Label	84395	1
32	DAKE Name Plate	81002	1
33	Made in USA Plate	76936	1
34	Table Plates	85427	2

<b>PARTS NOT ILLUSTRATED</b>			
<b>Item</b>	<b>Description</b>	<b>Part No.</b>	<b>Qty</b>
Breather Vent & Elbow	Reservoir fill port	300267	1
Gauge	Tons/PSI	302937	1
Valve Kit	Fittings, hoses, valve, manifold, bolts, & O-rings	See pgs. 11-12	1
Optional Check Valve		302071	1
Optional Relief Valve	290-3625 PSI or 20-250 Bar	301949	1
Optional Relief Valve	43.5-435 PSI or 3-30 Bar	302197	1
Bolts SHC #10-24 x 1-3/4"	Mounting bolts for valve only	43403	4
Bolts SHC #10-24 x 2-3/4"	Mounting bolts for valve, relieve valve, or check valve	76749	4
Bolts SHC #10-24 x 4-1/2"	Mounting bolts for valve, relieve valve, or check valve	302221	4

## 10 DA WORKHEAD DIAGRAM



Item	Description	Part #
A	Piston	86690
B	Cylinder Flange	86689
C	Cylinder	86688
D	Socket Head Cap Screw	43450
E	O-Ring	78483
F	Seal	78484
G	Wear Ring	78485
H	Wear Ring	78486
J	O-Ring Seal	78487
-	Workhead Assembly	716514

Workhead Repair Kit: 716699

Repair Kit includes items:  
E,F,G,H and J

### 10 Ton DA Workhead Specs

3-1/4" Dia. Bore

1-3/4" Dia. Rod

10-1/4" Actual Stroke

10" Rated Stroke

***Please contact factory for current prices.***

## ORDERING INFORMATION

Parts are available for direct purchase from Dake or through a distributor. When placing a parts order, you will need to provide the part number, name of part, and model number. All parts shipped F.O.B. Factory in Grand Haven, MI.