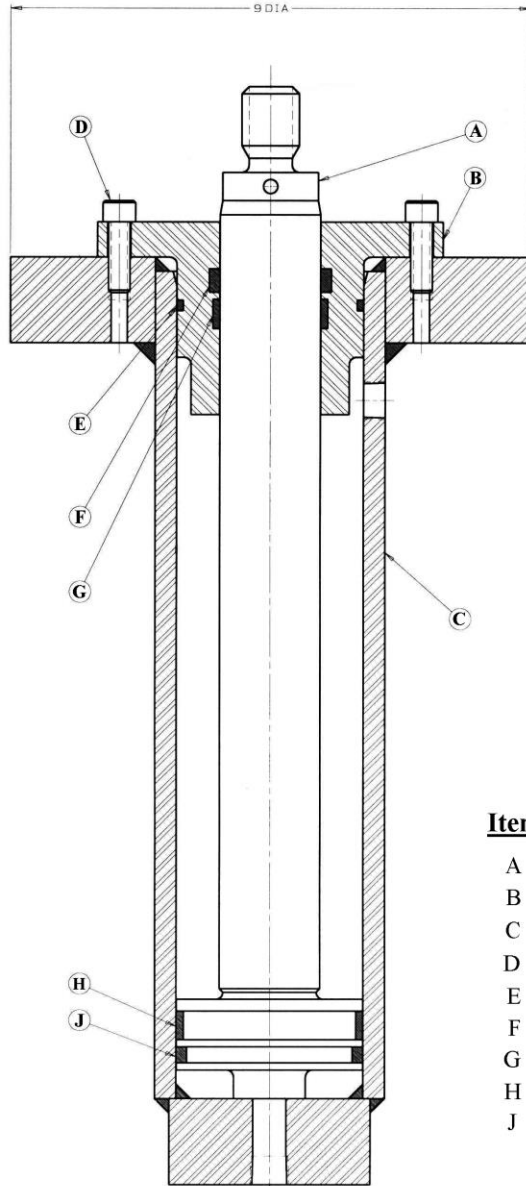


| ITEM                         | DESCRIPTION                      | QTY | 10DA<br>Part No. | 25DA<br>Part No. | REMARKS  |
|------------------------------|----------------------------------|-----|------------------|------------------|--|
| 1                            | Frame                            | 1   | 86517            | 86684            |  |
| 2                            | 1/2" - 13NC x 2 3/4"             | 4   | 43355            | 43355            | LG. Hex Cap Screw  |
| 3                            | 1/2" Channel Washer              | 4   | 43657            | 43657            |  |
| 4                            | Workhead Assembly                | 1   | 716514           | 716640           |  |
| 5                            | 1/2" Lock Washer                 | 4   | 43647            | 43647            |  |
| 6                            | 1/2" - 13 Hex Nut                | 4   | 43916            | 43916            |  |
| 7                            | Base Angle                       | 2   | 85189            | 978              |  |
| 8                            | 1/2" - 13NC LG.                  | 4   | 43349            | 43347            | Hex Cap Screw  |
| 9                            | Table Pin                        | 2   | 86520            | 85407            |  |
| 9A                           | Retaining Ring                   | 2   | 43975            | 76818            |  |
| 11                           | Table Channel                    | 1   | 86692            | 86682            |  |
| 12                           | 1/2" Lock Washer                 | 4   | 43647            | 43644            |  |
| 13                           | 1/2" - 13 Hex Nut                | 4   | 43916            | 43916            |  |
| 20                           | Nose Piece                       | 1   | 86691            | 86683            |  |
| 23                           | Hydraulic Power Unit             | 1   | 300266PU         | 300265PU         | does not include Gauge, Fittings, Hoses and Valve        |
|                              | Gauge, Fittings, Hoses and Valve | 1   | 300266KIT        | 300265KIT        | Gauge, Fittings, Hoses and Valve                         |
| 24                           | 5/16" - 18NC x 1/2"              | 4   | 43313            | 43313            | LG. Hex Cap Screw  |
| 25                           | 5/16" Flat Washer                | 4   | 43632            | 43631            |  |
| 27                           | Warning Label                    | 1   | 84487            | 84487            | (See Page 10)  |
| 28                           | Warning Label                    | 1   | 84399            | 84399            | (See Page 10)  |
| 29                           | 3-IN-1 Warning Label             | 1   | 300168           | 300168           | (See Page 10)  |
| 30                           | Safety Instructions              | 1   | 76462            | 76462            | (See Page 10)  |
| 31                           | Warning Label                    | 1   | 84395            | 84395            | (See Page 10)  |
| 32                           | DAKE Name Plate                  | 1   | 86533            | 86534            | (See Page 10)  |
| 33                           | Made In USA Plate                | 1   | 76936            | 76936            | (See Page 10)  |
| 34                           | Table Plates                     | 2   | 85427            | 85508            |  |
|                              | Conversion tons to psi Label     | 1   | 79955            | 79964            | CONVERSION CHART LABEL                                   |
| <b>PARTS NOT ILLUSTRATED</b> |                                  |     |                  |                  |  |
|                              | Breather Vent and elbow          | 1   | 300267           | 300267           | Reservoir fill port                                      |
|                              | Eyebolts                         | 2   | N/A              | 300284           |  |
|                              | Triangular Snap Hooks            | 4   | N/A              | 300285           |  |
|                              | Coil Chain                       | 2   | N/A              | 78477            |  |
|                              | Gauge                            | 1   | 301315           | 301316           | Reads in tons / psi                                      |
|                              | Gauge                            | 1   | 301315           | 300268           | Reads in bar / psi                                       |
|                              | Reservoir                        | 1   | 300269           | 300269           | 2 gallon   |
|                              | Optional check valve             | 1   | 302071           | 302071           | Check valve  |
|                              | Optional relief valve            | 1   | 301949           | 301949           | 290-3625 psi or 20-250 bar                               |
|                              | Optional relief valve            | 1   | 302197           | 302197           | 43.5-435 psi or 3-30 bar                                 |
|                              | Bolts                            | 4   | 43401            | 43401            | Mounting bolts for valve only                            |
|                              | Bolts                            | 4   | 76749            | 76749            | Mounting bolts for valve and relief valve or check valve |
|                              | Bolts                            | 4   | 302221           | 302221           | Mounting bolts for valve, check valve and relief valve.  |

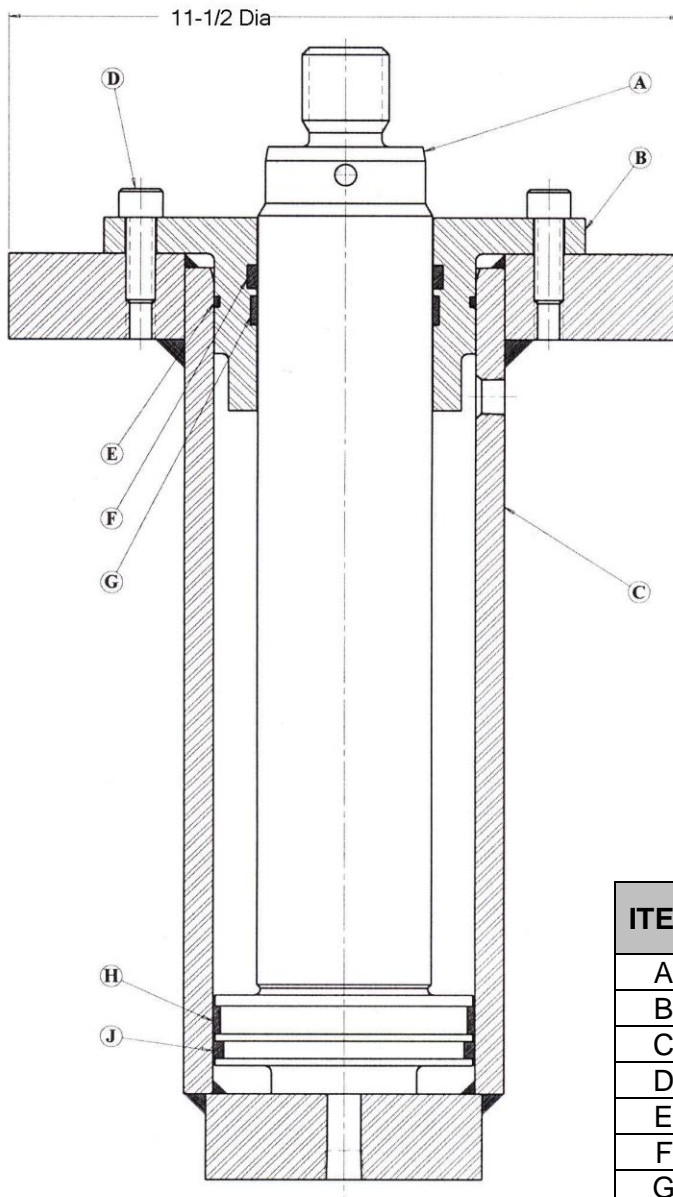
# Force 10DA Workhead



**10 ton workhead**  
 3-1/4" Dia. Bore  
 1-3/4" Dia. Rod  
 10-1/4" Actual Stroke  
 10" Rated Stroke  
 Total Wt. = 66#

| <u>Item</u> | <u>Description</u>    | <u>Part No.</u> |
|-------------|-----------------------|-----------------|
| A           | Piston                | 86690           |
| B           | Cylinder Flange       | 86689           |
| C           | Cylinder              | 86688           |
| D           | Socket Head Cap Screw | 43450           |
| E           | O-Ring                | 78483           |
| F           | Seal                  | 78484           |
| G           | Wear Ring             | 78485           |
| H           | Wear Ring             | 78486           |
| J           | O-ring seal           | 78487           |

# Force 25DA Workhead



**25 ton Workhead**  
 4-1/2" Dia. Bore  
 3" Dia. Rod  
 10-1/4" Actual Stroke  
 10" Rated Stroke  
 Total Wt. = 127#

| ITEM  | DESCRIPTION           | PART NO. |
|---|-----------------------|----------|
| A   | Piston                | 86463    |
| B   | Cylinder Flange       | 86462    |
| C   | Cylinder              | 86461    |
| D   | Socket Head Cap Screw | 43471    |
| E   | O-Ring                | 79881    |
| F   | Seal                  | 79880    |
| G   | Wear Ring             | 78486    |
| H   | Wear Ring             | 79840    |
| J   | O-Ring                | 79882    |
| <b>Complete Workhead Assembly</b>                             |                       | 716640   |
| <b>Cylinder Repair Kit<br/>(Includes items E, F, G, H, J)</b> |                       | 716698   |