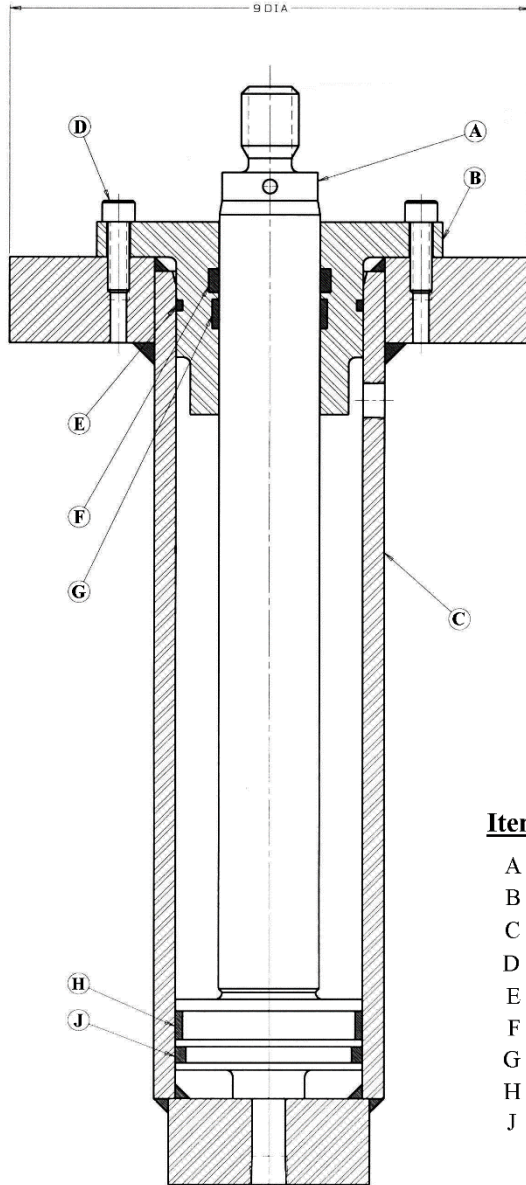


ITEM	DESCRIPTION	QTY	10DA	25DA	REMARKS
1	Frame	1	86517	86684	
2	1/2" - 13NC x 2 3/4"	4	43355	43355	LG. Hex Cap Screw
3	1/2" Channel Washer	4	43657	43657	
4	Workhead Assembly	1	716514	716640	
5	1/2" Lock Washer	4	43647	43647	
6	1/2" - 13 Hex Nut	4	43916	43916	
7	Base Angle	2	85189	978	
8	1/2" - 13NC LG.	4	43349	43347	Hex Cap Screw
9	Table Pin	2	86520	85407	
9A	Retaining Ring	2	43975	76818	
11	Table Channel	1	86692	86682	
12	1/2" Lock Washer	4	43647	43644	
13	1/2" - 13 Hex Nut	4	43916	43916	
20	Nose Piece	1	86691	86683	
23	Hydraulic Power Unit	1	300266PU	300265PU	does not include Gauge, Fittings, Hoses and Valve
	Gauge, Fittings, Hoses and Valve	1	300266KIT	300265KIT	Gauge, Fittings, Hoses and Valve
24	5/16" - 18NC x 1/2"	4	43313	43313	LG. Hex Cap Screw
25	5/16" Flat Washer	4	43632	43631	
27	Warning Label	1	84487	84487	(See Page 10)
28	Warning Label	1	84399	84399	(See Page 10)
29	3-IN-1 Warning Label	1	300168	300168	(See Page 10)
30	Safety Instructions	1	76462	76462	(See Page 10)
31	Warning Label	1	84395	84395	(See Page 10)
32	DAKE Name Plate	1	86533	86534	(See Page 10)
33	Made In USA Plate	1	76936	76936	(See Page 10)
34	Table Plates	2	85427	85508	
	Conversion tons to psi Label	1	79955	79964	CONVERSION CHART LABEL

PARTS NOT ILLUSTRATED

ITEM	DESCRIPTION	QTY	10DA	25DA
Breather Vent and Elbow	Reservoir fill port	1	300267	300267
Eyebolts		2	N/A	300284
Triangular Snap Hooks		4	N/A	300285
Coil Chain		2	N/A	78477
Gauge	Reads in tons / psi	1	302937	302938
Reservoir	2 gallons	1	300269	300269
Optional Check Valve	Check valve	1	302071	302071
Optional Relief Valve	290-3625 psi or 20-250 bar	1	301949	301949
Optional Relief Valve	43.5-435 psi or 3-30 bar	1	302197	302197
Bolts SHC #10-24 X 1 3/4" long	Mounting bolts for valve only	4	43403	43403
Bolts SHC #10-24 X 2 3/4" Long	Mounting bolts for valve and relief valve or check valve	4	76749	76749
Bolts SHC #10-24 X 4 1/2" Long	Mounting bolts for valve, check valve and relief valve.	4	302221	302221

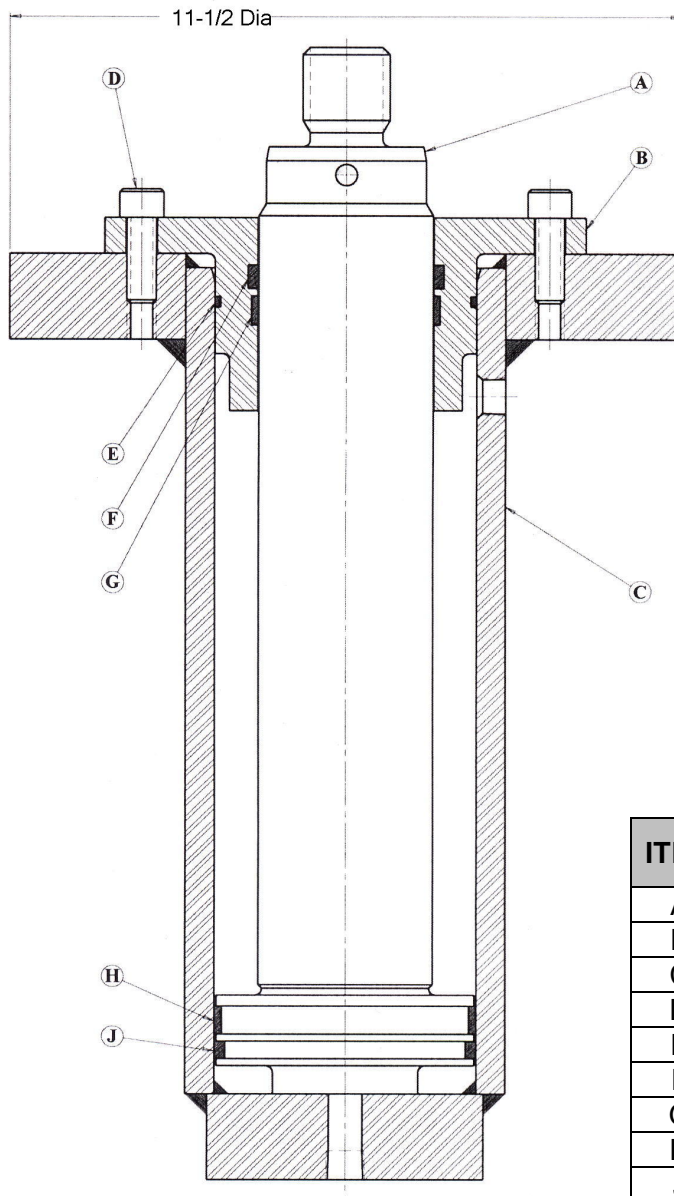
Force 10DA Workhead



10 ton workhead
 3-1/4" Dia. Bore
 1-3/4" Dia. Rod
 10-1/4" Actual Stroke
 10" Rated Stroke
 Total Wt. = 66#

Item	Description	Part No.
A	Piston	86690
B	Cylinder Flange	86689
C	Cylinder	86688
D	Socket Head Cap Screw	43450
E	O-Ring	78483
F	Seal	78484
G	Wear Ring	78485
H	Wear Ring	78486
J	O-ring seal	78487

Force 25DA Workhead



25 ton Workhead
 4-1/2" Dia. Bore
 3" Dia. Rod
 10-1/4" Actual Stroke
 10" Rated Stroke
 Total Wt. = 127#

ITEM	DESCRIPTION	PART NO.
A	Piston	86463
B	Cylinder Flange	86462
C	Cylinder	86461
D	Socket Head Cap Screw	43471
E	O-Ring	79881
F	Seal	79880
G	Wear Ring	78486
H	Wear Ring	79840
J	O-Ring	79882
Complete Workhead Assembly		716640
Cylinder Repair Kit (Includes items E, F, G, H, J)		716698