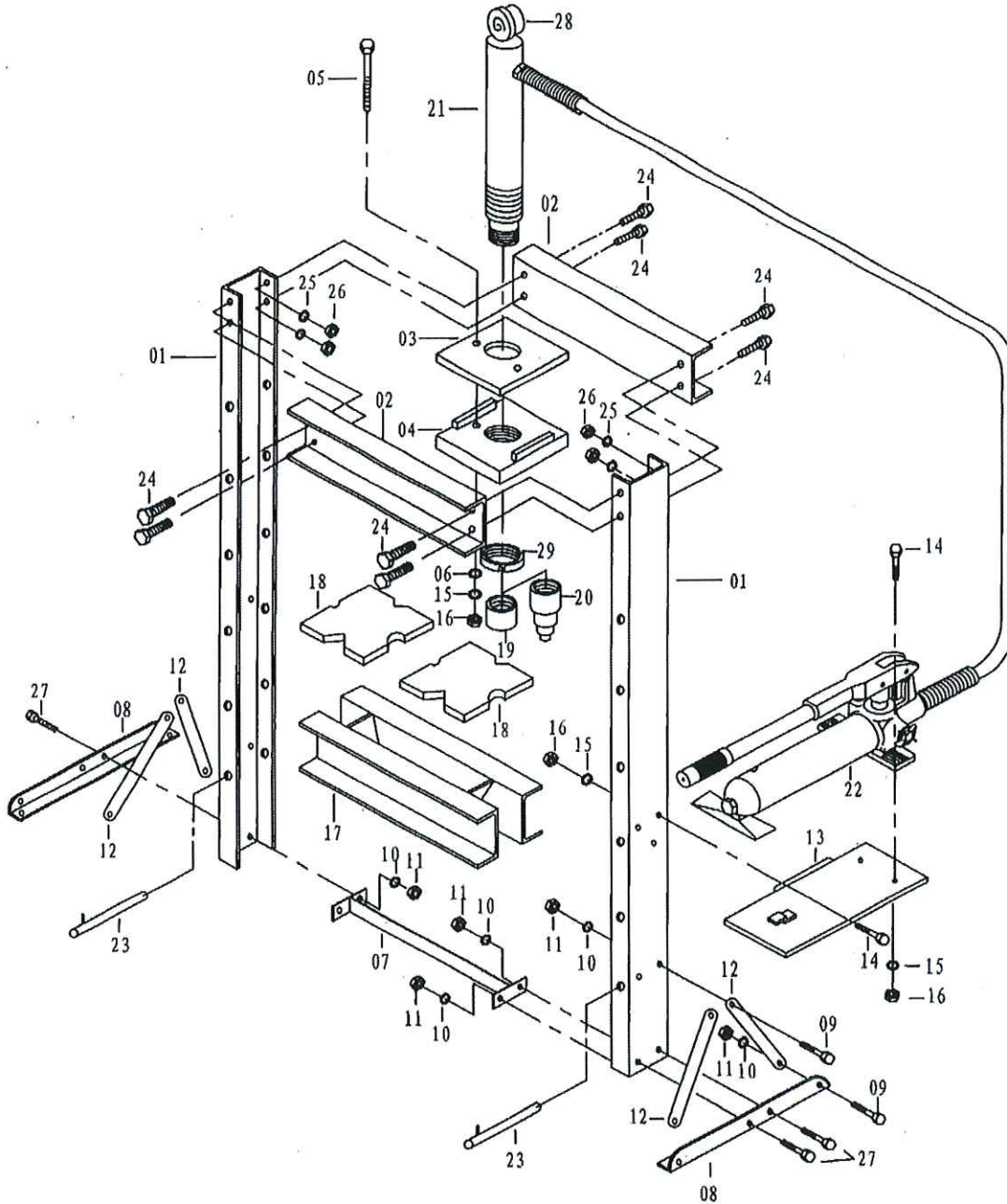


10 Ton Floor Utility Press:





<b>10 Ton Floor Press Parts List</b>			
<b>Ref #</b>	<b>Part #</b>	<b>Description</b>	<b>Quantity</b>
1	301154	Frame Upright Channel	2
2	301153	Head Frame Channel	2
3	301152	Head Ram Traverse Plate (Upper)	1
4	301151	Head Ram Traverse Plates (Lower)	1
5	301150	Bolt M10 x 120mm	2
6	301149	Lock Washer 10mm	2
7	301148	Union Support	1
8	301147	Base Angle	2
9	301146	Bolt M8 x 25	12
10	301129	Lock Washer 8mm	12
11	301128	Nut M8	12
12	301145	Angle Support Strap	4
13	301144	Pump Support Bracket	1
14	301143	Bolt M10 x 25	5
15	301142	Lock Washer 10mm	4
16	301141	Nut M10	4
17	301123	Worktable	1
18	301124	Table Plate	2
19	301127	Flat Nose Piece	1
20	301126	Step Nose Piece	1
21	301140	Ram / Cylinder	1
21A	302383	Cylinder Spring	1
22	301121	Pumping Unit	1
23	301125	Table Pin	2
24	301136	Bolt M12 x 110mm	4
25	301135	Lock Washer 12mm	4
26	301134	Nut M12	4
27	302274	Bolt M8 x 25	4
28	302019	Gauge (Original)	1
29	302275	Ring	1
<b>Additional Parts Not Shown</b>			
<b>Part #</b>	<b>Description</b>		
302318	Seal Kit		
302383	Cylinder Spring (21A)		
302310	Fitting Nipple		
302309	Fitting Coupler		
302554	Pump Repair kit		
302508	Hydraulic Hose w/Coupling		
302019	10 Ton Gauge		
302019C	10 Ton Certified Gauge		
302596	0-5000lbs. Gauge		
302777	Max Hand Gauge 1-10 Ton		



Dake Corporation  
1809 Industrial Park Dr  
Grand Haven, MI 49417  
[www.dakecorp.com](http://www.dakecorp.com)

## Order Information

- *Please contact factory for current prices*
- Parts are available for direct purchase from Dake or through a distributor. When placing a parts order, you will need to provide the part number, name of part, and model number. All parts shipped F.O.B. Factory in Grand Haven, MI.
- If a customer has any questions or concerns regarding a Dake product that was purchased, please email customer service at [customerservice@dakecorp.com](mailto:customerservice@dakecorp.com)