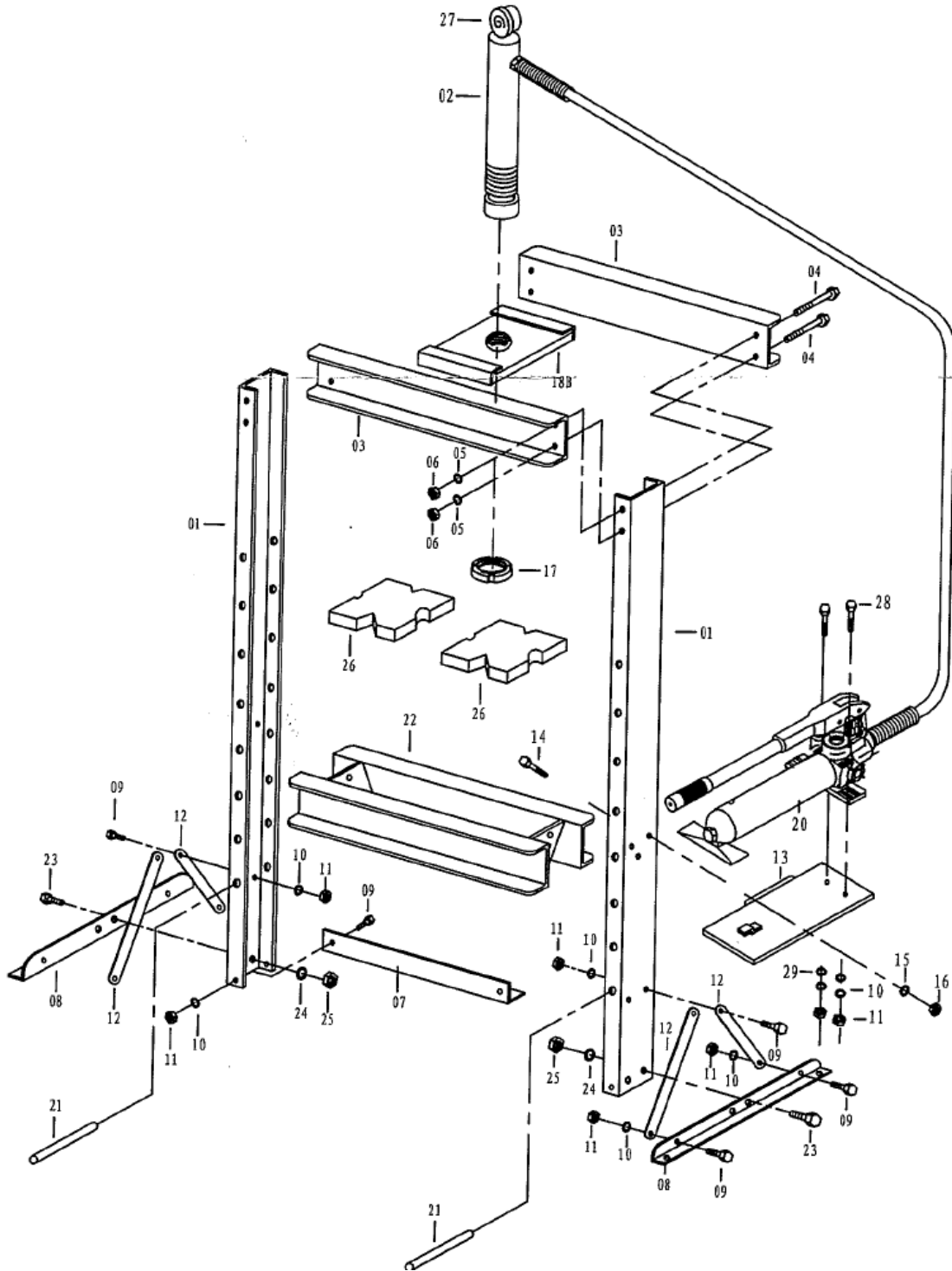


20 Ton Floor Utility Press:



20 Ton Floor Press Parts List			
Ref #	Dake Part #	Description	Quantity
1	303183	Frame Upright Channel	2
2	303184	Ram Cylinder	2
3	303208	Head Frame Channel	2
4	303204	Bolt M18 x 140mm	4
5	303203	Lock Washer 18mm	4
6	303205	Nut 18mm	4
7	303186	Union Support	1
8	303207	Base Angle	2
9	301146	Bolt M8 x 25mm	10
10	301129	Lock Washer 8mm	12
11	301128	Nut 8mm	12
12	301145	Angle Support Strap	4
13	301144	Pump Support Bracket	1
14	301143	Bolt M10 x 25mm	3
15	301142	Lock Washer 10mm	3
16	301141	Nut 10mm	3
17	303187	Spanner Nut	1
18	303202	Head Traverse Plate	1
20	303192	2 Stage Pumping Unit	1
21	303194	Table Pin	2
22	303197	Table	1
23	78754	Bolt M12 x 30mm	4
24	301135	Washer 12mm	4
25	301134	Nut 12mm	4
26	303193	Pressing plates	2
27	303198	Gauge	1
28	78786	Bolt M8 x 30mm	2
29	303206	Washer 8mm	2

Items Not Shown	
Part #	Description
303199	Seal Kit
303200	Cylinder Spring
302508	Fitting Nipple
302309	Fitting Coupler
303201	Pump Repair Kit
302508	Hydraulic Hose w/Coupling
303191	Flat Nose Piece
303190	Stepped Nose Piece



Order Information

- *Please contact factory for current prices*
- Parts are available for direct purchase from Dake or through a distributor. When placing a parts order, you will need to provide the part number, name of part, and model number. All parts shipped F.O.B. Factory in Grand Haven, MI.
- If a customer has any questions or concerns regarding a Dake product that was purchased, please email customer service at customerservice@dakecorp.com