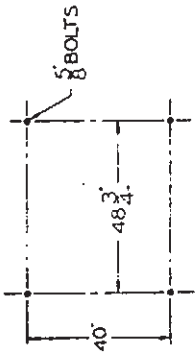
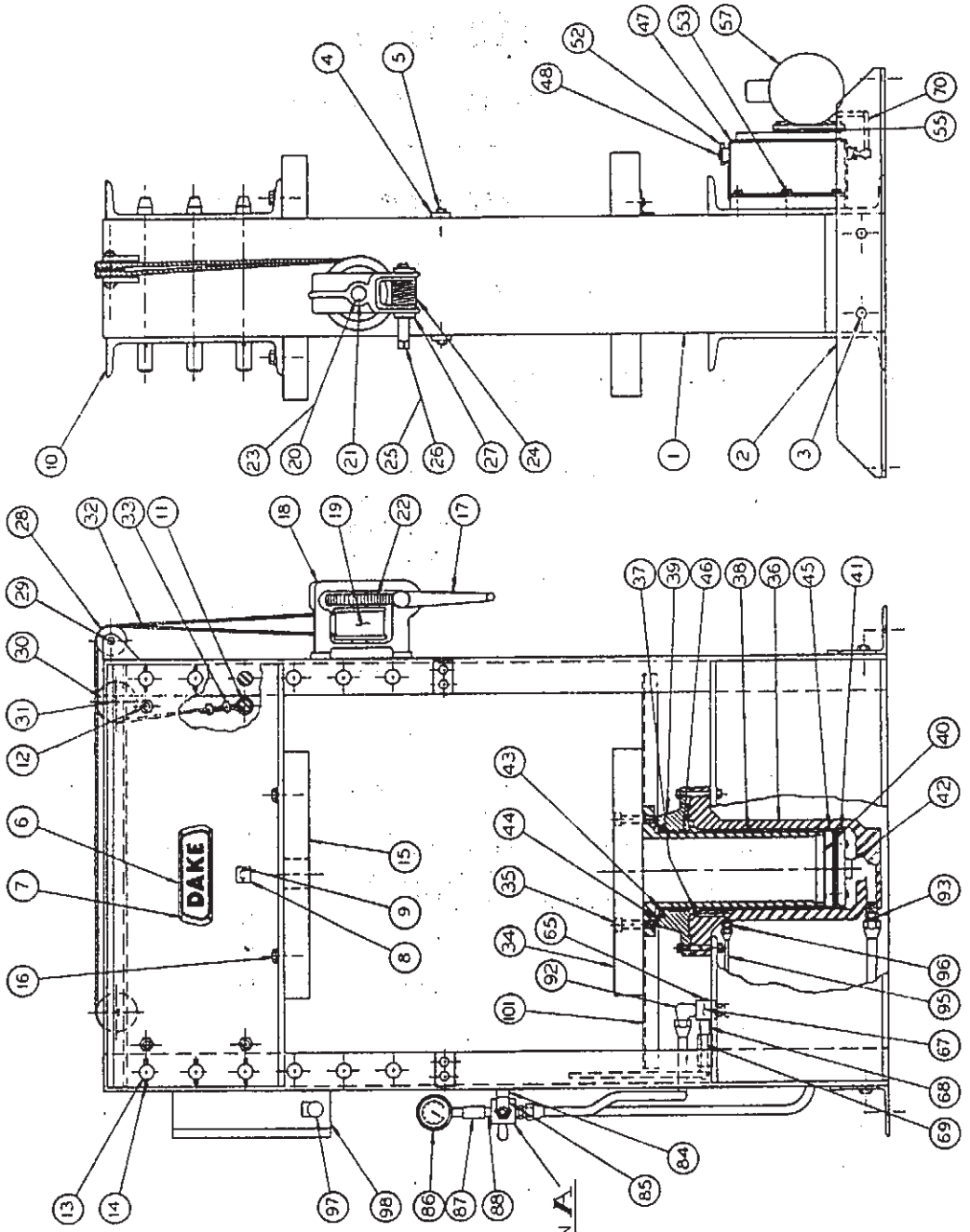


SECTION A

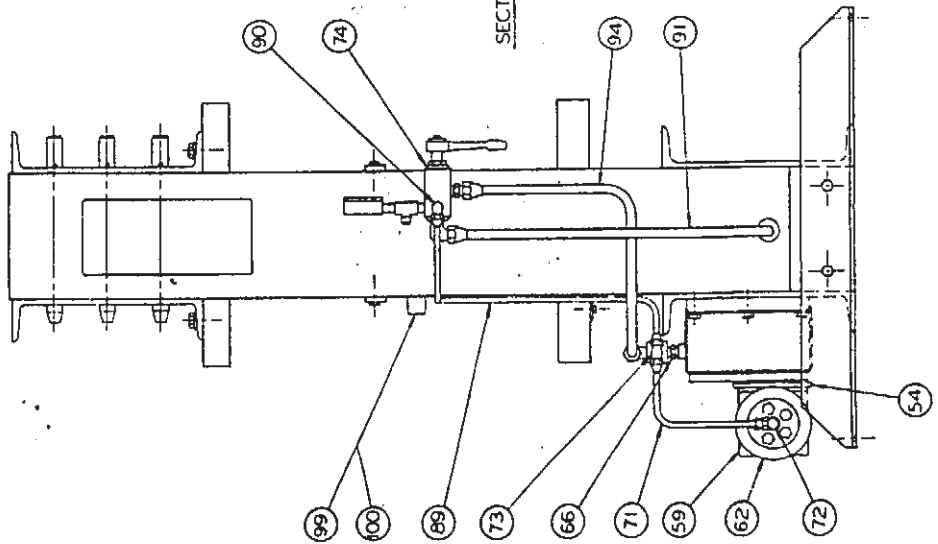
VALVE NO. 710557



ANCHOR BOLT LOCATION



SECTION A



SECTION A

**ALL PARTS PRICES INCREASED 10%  
EFFECTIVE JANUARY 1, 1987**

5131 - 52478 3 ea

ITEM NO.	PART NAME	NO. REQ'D	ITEM NO.	PART NAME	NO. REQ'D
1	Frame	1	48	3/4" Pipe Plug	1
2	Base Angles	2	49	1/4" Pipe Plug	1
3	5/8"-11 x 1-3/4" Hex Cap Screws	4	50	1/8" Pipe Plug	1
4	5/8" Lockwashers	4	51	3/8" Pipe Plug	1
5	5/8"-11 Hex Nuts	4	52	Breather Filter	1
6	Stop Blocks	4	46054	Oil (7 Gallons Required)	1
7	1/2"-13 x 1-1/4" Hex Cap Screws	8	43647	1/2" Lockwashers	6
8	1/2" Lockwashers	10	43345	1/2" x 3/4" Hex Cap Screws	6
9	"Duke" Name Plate	1	34	Pump & Motor Base	1
10	No. 6-32 x 1/4" Self-Tapping Screw	4	55	Washer - Neoprene	4
11	Model No. Plate	1	43645	3/8" Lockwasher	4
12	No. 2 x 3/16" Drive Screws	2	55	3/8" x 1-1/4" Hex Cap Screws	4
13	Head Channels	2	57	Motor	1
14	Table Spacers	4	58	5/16"-18 x 3/4" Hex Cap Screws	4
15	3/4" Lockwashers	12	43644	5/16" Lockwashers	4
16	3/4"-10 Hex Nuts	8	59	Pump Support	1
17	Table Pins	6	60	5/16"-18 x 1" Hex Cap Screws	4
18	3/8" x 2-1/2" Groov-Pins	6	43644	5/16" Lockwashers	4
19	Upper Platen	1	61	Coupling	1
20	3/4"-10 x 2" Hex Cap Screws	4	62	Pump	1
21	Crank Assembly	1	63	1/2"-13 x 1" Soc. Hd. Cap Screws	4
22	Hoist Frame	1	43647	1/2" Lockwashers	4
23	Cable Drum	1	64	Coupling Guard	1
24	Drum Shaft	1	43881	#10-24 x 3/8" Round Head Screw	4
25	Drum Shaft Key	1	65	1/4" Pipe Plug	1
26	Worm Gear	1	66	3/4" x 3/4" FF-S Parker Pipe Nipple	1
27	Nat'l. Retaining Ring No. XSO-247	1	67	Connector Block	1
28	Worm	1	68	3/4" x 2-1/2" Pipe Nipple - Extra Strong	1
29	Worm Shaft	1	69	Relief Valve - (Set at 6000 psi)	1
30	Nat'l. Retaining Ring No. XSO-239	1	70	Intake Line (Reservoir - Dake Pump)	1
31	Worm Key	2	71	Hex Reducer 3/4"-3/8" - (In Reservoir) Steel	1
32	1/2"-13 x 1-1/2" Hex Cap Screws	2	1657	1/2" Tube Elbow (In Pump)	1
33	1/2" x 3-1/4" 12 Pt. Cap Screws	4	17999	Tube Assembly (Dake Pump - Relief Valve)	1
34	Decal "Warning - End of Stroke"	4	71	1/2" Tube Elbow	2
35	Cylinder	1	72	1/2" Tube Tee	1
36	1/8" Pipe Plug	2	73	Release Valve "Section A"	1
37	Piston	1	74	Ball Retainer	1
38	1/4" Pipe Plug	1	75	Ball Valve - 3/4" Dia.	1
39	Piston Guide	1	76	Valve Rod	1
40	1/2"-13 x 4" Hex Cap Screws	6	77	Valve Rod Packing (7 Req'd.)	1 set
41	1/2"-13 x 4-1/2" Hex Cap Screws	4	78	Packing Nut	1
42	3/8"-16 x 1-3/4" Hex Cap Screws	8	79	Handle	1
43	3/8" Lockwashers	8	80	Washer	1
44	Oil Seal	1	82	Valve Handle Bolt	1
45	Retainer	3	83	1/2" Pipe Plug	1
46	#10-24 x 1/2" Flat Head Machine Screws	3	84	Release Valve Spacer	1
47	Wear Ring	1	85	3/8"-16 x 2-1/4" Hex Cap Screws	2
48	Workhead Assembly (Items 36 thru 45)	2	86	3/8" Lockwashers	2
49	Reservoir	1	87	Stop-Release Valve Rod	1
			88	Gauge - 150 Ton	1
			89	Pulsation Damper	1
			90	1/2" x 1-1/2" Pipe Nipple - Extra Strong	1
			91	1/2" Tube Elbow	1
			92	Tube Assembly (Relief Valve-Release Valve)	1
			93	Tube Assembly (Release Valve to Cylinder)	1
			94	7/8" Tube Elbow	1
			95	7/8" Straight Fittings	3
			96	Tube Assembly (Release Valve to Reservoir)	1
			97	Tube Assembly - By-Pass (Cylinder-Reservoir)	1
			98	3/8" Straight Fittings	2
			99	Hex Reducer 3/8"-1/4" (Steel)	1
			100	1/4" x 1-1/2" Pipe Nipple - Extra Strong	1
			101	1/4" Pipe Elbow 300F	1

\* Price on Application C.A. Commercially Available All prices are subject to change without notice. Prices do not include freight or average charge.

ITEM NO.	PART NO.	PART NAME	NO. REQ'D
**	29699	Pushbutton Contact Block .....	1
**	29774	Pushbutton Name Plate "Raise" .....	1
97	29782	Pushbutton Black Mushroom .....	1
**	43643	1/4" Lockwasher .....	3
**	43301	1/4"-20 x 1/2" Hex Cap Screws .....	3
		— IF 230 VOLT —	
98	38408	A. B. Starter No. 709AAA-43 .....	1
**	29724	N-26 Heater .....	3
		— IF 230 VOLT —	
98	38409	A. B. Starter No. 709AAB-43 .....	1
**	29722	N-19 Heater .....	3
99	35941	Micro Limit Switch No. LSA1A .....	1
100	46743	Micro Limit Switch Arm No. LSZ52CC .....	1
101	61063	Guide Angle (One Right Hand and One Left Hand) ...	2
**	43645	3/8" Lockwasher .....	4
**	43326	3/8"-16 x 3/4" Hex Cap Screw .....	4
	706540	Repair Kit (Items 41, 43, 77 & 79) .....	

\* Price on Application  
 \*\* Not Illustrated  
 C.A. Commercially Available  
 Items in Repair Kit

**ALL PARTS PRICES INCREASED 10%  
 EFFECTIVE JANUARY 1, 1987**

**2. Worn cup leather:**  
 Refer to Section B3 above.

**3. Relief valve set low:**  
 The relief valve (Item 69) has been set at the factory to bypass oil back to the reservoir when the press reaches its rated capacity. If, however, the press does not develop its rated tonnage and the above two conditions have been checked, the relief valve may need readjusting. To do this first remove the 1/4" pipe plug (Item 65) in the connector block. Now the valve adjustment screw can be reached with a 7/32" allen wrench. To increase the setting, turn the adjustment screw clockwise. Be careful not to adjust the valve over its rated tonnage or maximum operating pressure of 6000 psi.

**NOTE: Do not exceed the maximum operating pressure of 6000 psi.**

**D. NO RAM MOVEMENT — (motor runs when "raise" button is pressed)**

- 1. Release valve open:**  
 Be sure to have release valve firmly closed when using press.
- 2. Insufficient oil:**  
 Check oil level in the reservoir with the ram down. Remove the 1/8" pipe plug on the side of the reservoir. The oil level should be up to this hole.
- 3. Pump loses its prime:**  
 Make sure all pump intake connections are tight — not enough oil in the reservoir.

