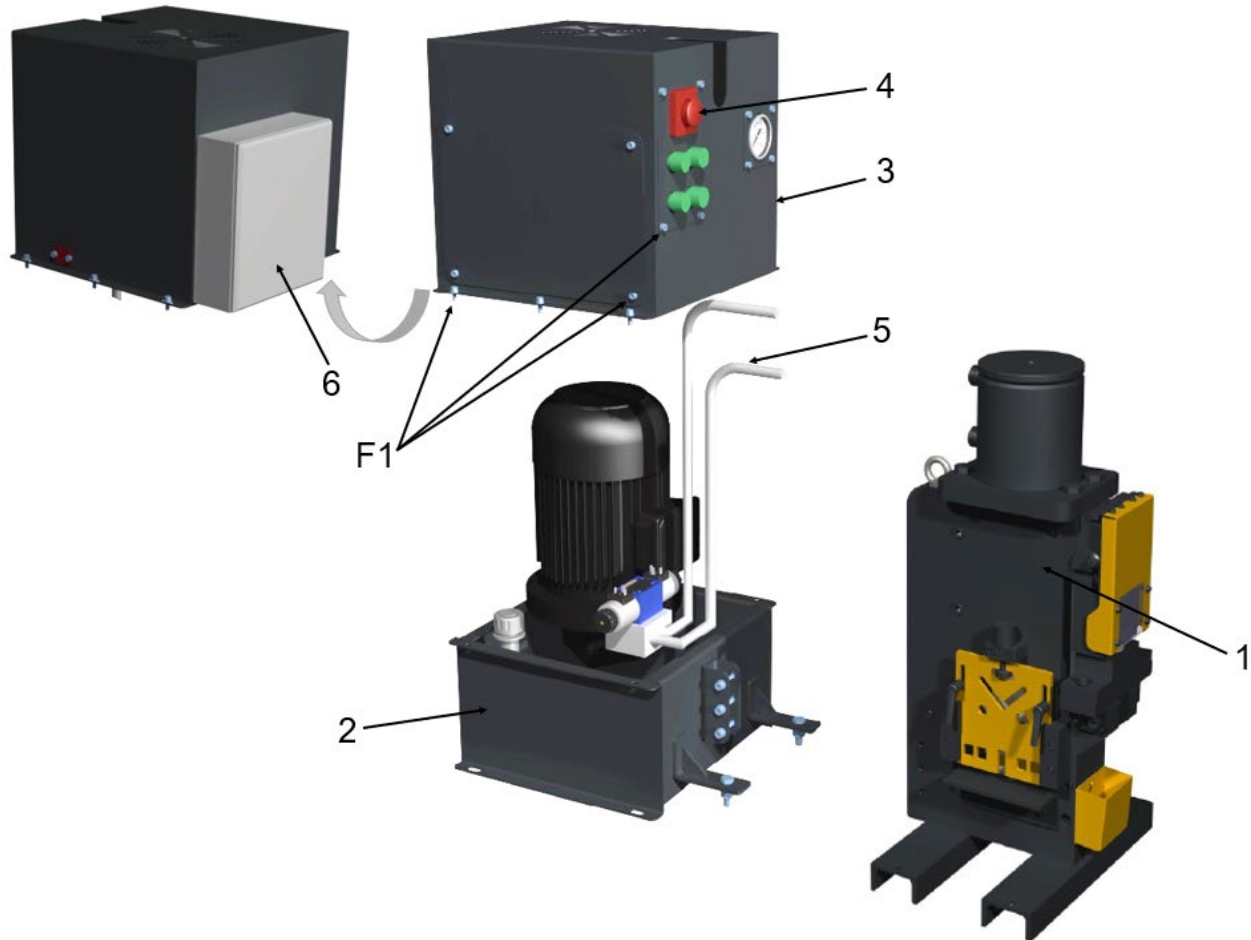


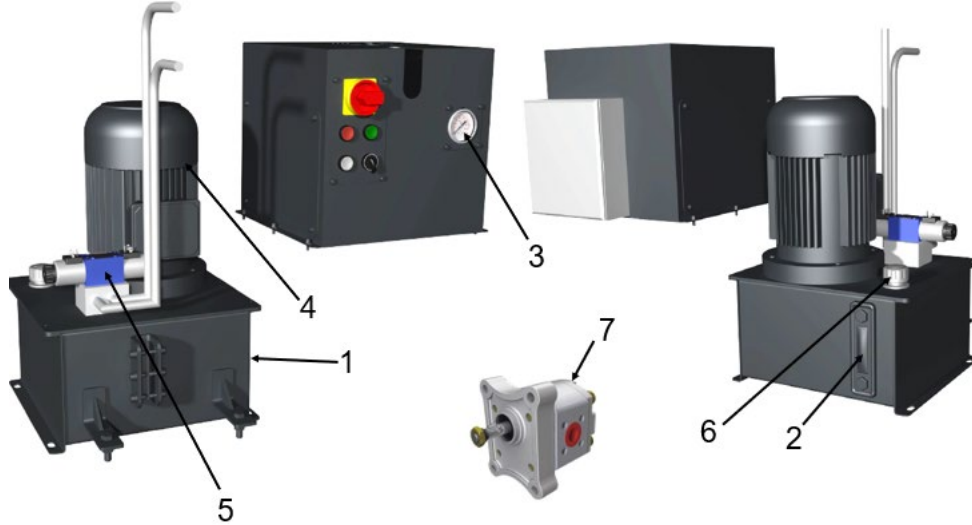
EXPLODED VIEWS & PARTS LISTS

Overall Assembly



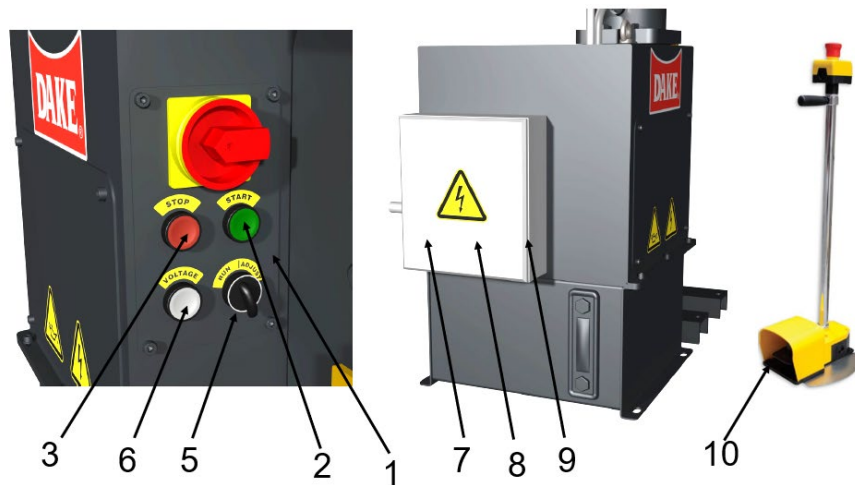
Item	Description	Ref. No.	Part No.	Qty
1	Iron Worker Base	IW1-002		1
2	Hydraulic Power Unit	IW1-003		1
3	Hydraulic Unit Hood	IW1-004		1
4	Electrical Control Unit	IW1-005		1
5	Pressure Hose	IW1-006		1
6	Electrical Panel	IW1-007		1
F1	Screw, Hex Head (M6-1.0 x 16mm)	HB-M6x16		12
-	Fool Pedal with E-Stop	IW1-008		1
-	C-Spanner (17mm) – Not Shown			1

IW1-003 Hydraulic Unit Breakdown



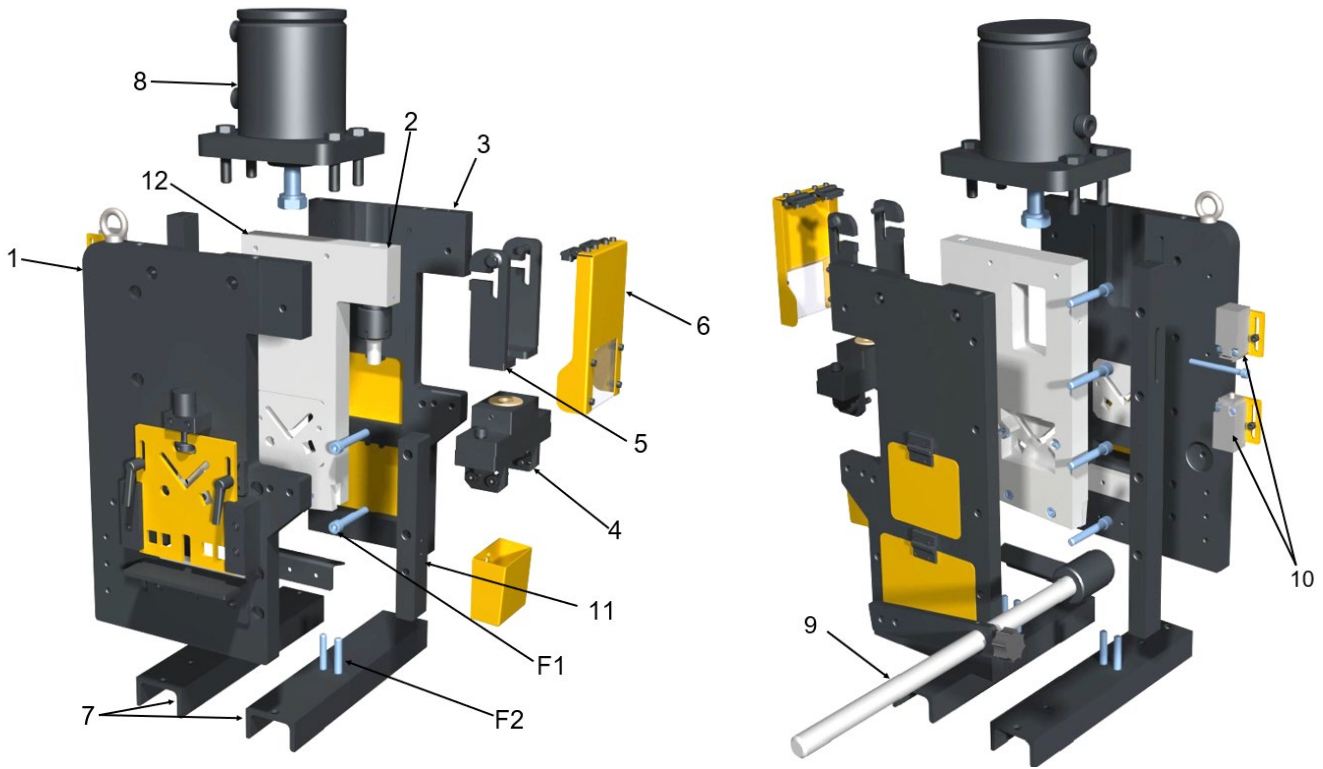
Item	Description	Ref. No.	Part No.	Qty
1	Hydraulic Unit Tank	IW1-210		1
2	Oil Level Indicator	IW1-211		1
3	Manometer/Pressure Gauge	IW1-212		1
4	Main Hydraulic Motor	IW1-213	304200	1
5	Hydraulic Valve	IW1-214	304201	1
6	Oil Filler Cap	IW1-215		1
7	Hydraulic Pump	IW1-216	304202	1

IW1-005 Electrical Control Panel Breakdown



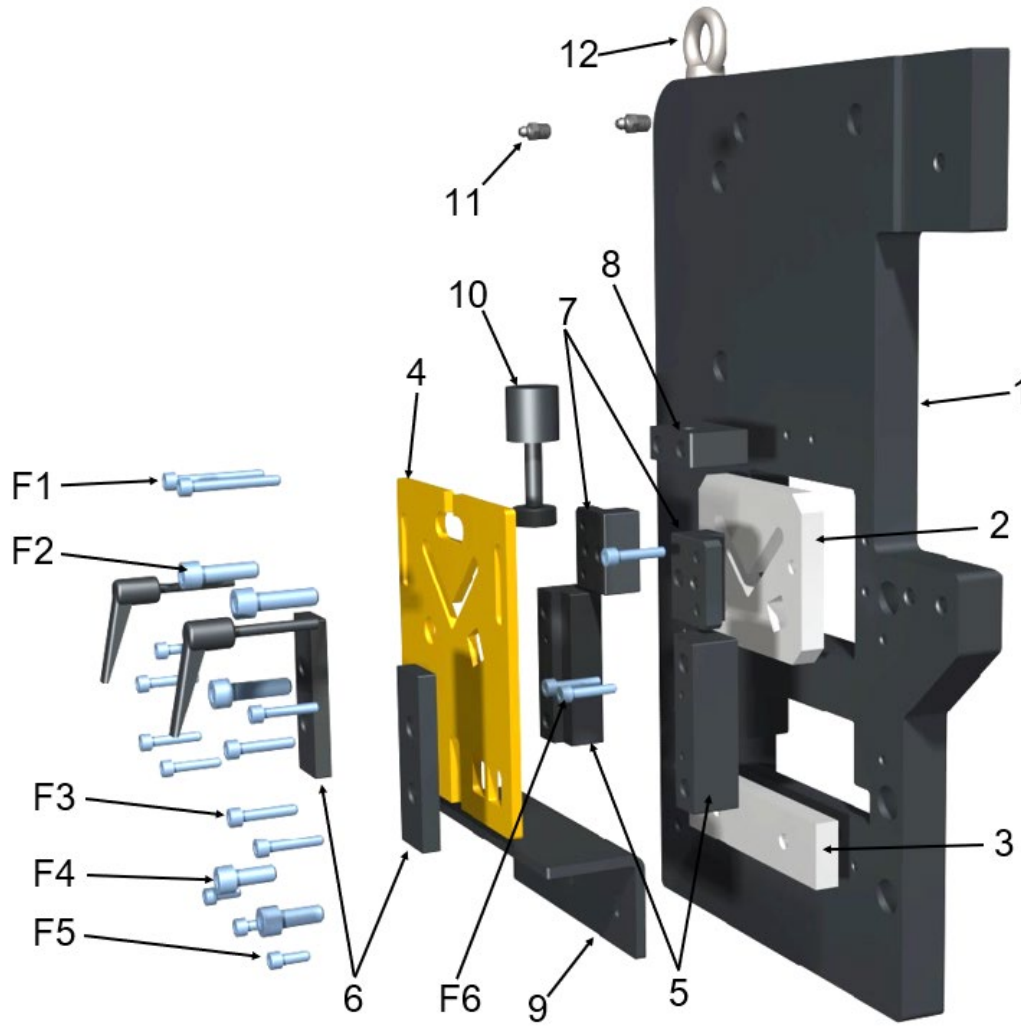
Item	Description	Ref. No.	Part No.	Qty
1	Electrical Control Panel	IW1-005		
2	Start Button	IW1-241	304203	
3	Stop Button	IW1-242	304204	
4	Main Switch	IW1-243	304205	
5	Selector Key	IW1-244	304207	
6	Voltage Button	IW1-245		
7	Electric Box	IW1-007		
8	Contactor	IW1-251	304209	
9	Relay	IW1-252	304206	
10	Pedal	IW1-260	304208	

Iron Worker Base Assembly



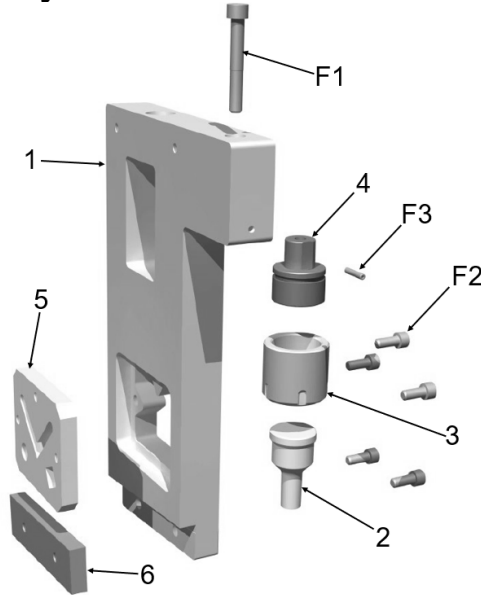
Item	Description	Ref. No.	Part No.	Qty
1	Fixed Carrier Structure Assembly	IW1-110		1
2	Movable Plate Structure Assembly	IW1-120		1
3	Edge Structure for Movable Plate Assembly	IW1-130		1
4	Punch – Bottom Mold Assembly	IW1-140		1
5	Scraper Assembly	IW1-150		1
6	Protective Cover Assembly	IW1-160		1
7	Mounting Brackets	IW1-020		2
8	Cylinder / Piston Assembly	IW1-180		1
9	Stock Stop Assembly	IW1-190		1
10	Limit Switch Assembly	IW1-200		2
11	Front Mounting Bar	IW1-030		1
12	Rear Mounting Bar	IW1-040		1
F1	Screw, Soc Head (M12-1.75 x 80mm)	HB-M12X80		6
F2	Screw, Soc Head (M12-1.75 x 40mm)	HB-M12X40		2

IW1-110 Fixed Side Assembly



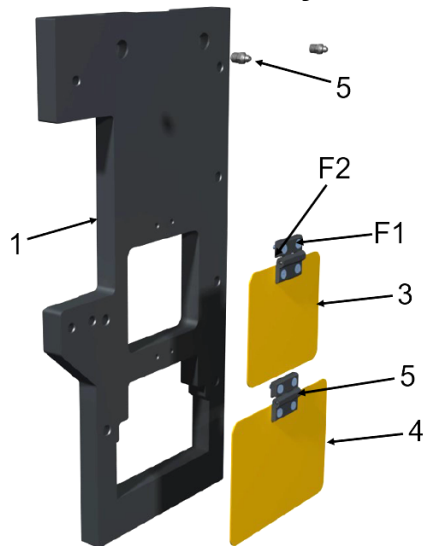
Item	Description	Ref. No.	Part No.	Qty
1	Carrier Column Plate	IW1-111		1
2	Profile Mold - Fixed	IW1-112	304189	1
3	Cutting Mold - Fixed	IW1-113	304190	1
4	Outer Fixed Mold	IW1-114		1
5	Outer Mold Bearing	IW1-115		2
6	Outer Mold Cover	IW1-116		2
7	Bending Mold Bracket	IW1-117		3
8	Outer Mold Bracket	IW1-118		1
9	Cutting Mold Bracket	IW1-119		1
10	Adjusting Bolt	E-M12-90		1
11	Grease Fitting	GRESS M8		2
12	Lifting Eye M10	L-M10		1
F1	Countersunk Bolt (M6-1.0 x 50mm)	CB-M6x50		2
F2	Screw, Soc Head (M10-1.5 x 35mm)	HB-M10x35		3
F3	Screw, Soc Head (M6-1.0 x 30mm)	HB-M6x30		14
F4	Screw, Soc Head (M10-1.5 x 25mm)	HB-M10x25	78758	2
F5	Screw, Soc Head (M6-1.0 x 16mm)	HB-M6x16		3

IW1-120 Movable Plate Assembly



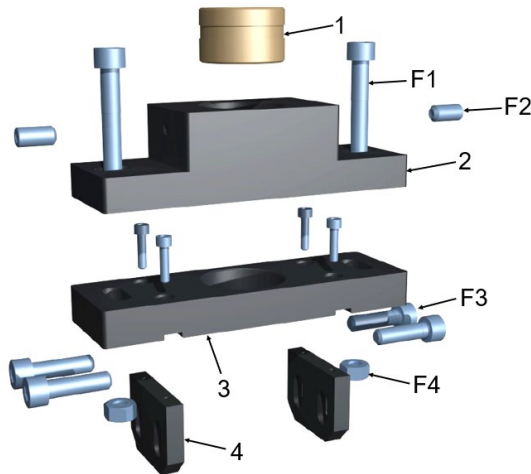
Item	Description	Ref. No.	Part No.	Qty
1	Movable Plate	IW1-121		1
2	Drilling Mold	IW1-122		1
3	Drilling Mold Connector	IW1-123	304191	1
4	Drilling Mold Holder	IW1-124	304192	1
5	Profile Mold – Movable	IW1-125	304193	1
6	Cutting Mold – Movable	IW1-126	304194	1
F1	Screw, Soc Head (M10-1.5 x 70mm)	HB-M10x70		1
F2	Screw, Soc Head (M10-1.5 x 25mm)	HB-M10x25	78758	5
F3	Screw, Set (M4-0.5 x 20mm)	SS-M4X20		1

IW1-130 Side Structure for Movable Plate Assembly



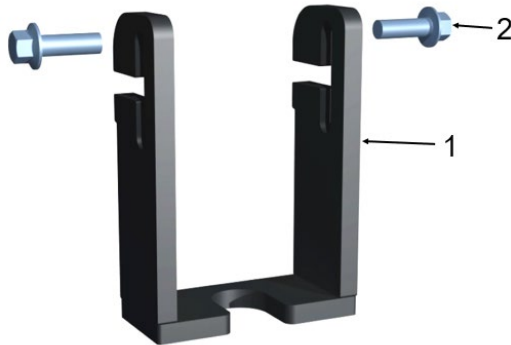
Item	Description	Ref. No.	Part No.	Qty
1	Edge Plate	IW1-131		1
2	Cutting Section Cover	IW1-132		1
3	Profile Section Cover	IW1-133		1
4	Hinge- Included on each Section Cover	H-40x40		2
5	Grease Fitting	GRESS M8		2
F1	Countersunk Bolt (M5-0.8 x 10mm)	CB-M5x10	78833	1
F2	Countersunk Bolt (M2-0.4 x 25mm)	CB-M2x25		8
F3	Nut, Hex (M5-0.8)	HM-M5		4

IW1-140 Breakdown Bottom Punch



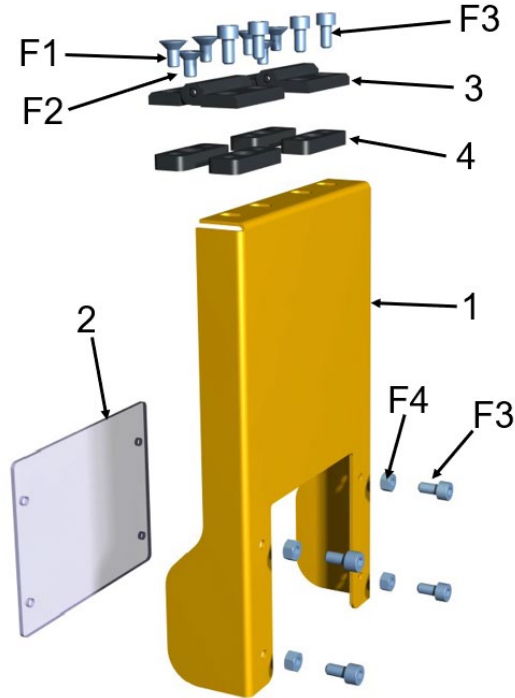
Item	Description	Ref. No.	Part No.	Qty
1	Drilling Bottom Mold	IW1-141		1
2	Bottom Mold Holder	IW1-142		1
3	Bottom Mold Connector	IW1-143		1
F1	Screw, Soc Head (M10-1.5 x 55mm)	HB-M10x55		2
F2	Screw, Set (M10-1.5 x 20mm)	SS-M10x20		2
F3	Screw, Soc Head (M10-1.5 x 35mm)	HB-M10x35		2
F4	Nut, Hex (M10-1.5)	HN-M10	302794	2

IW1-150 Breakdown Scraper



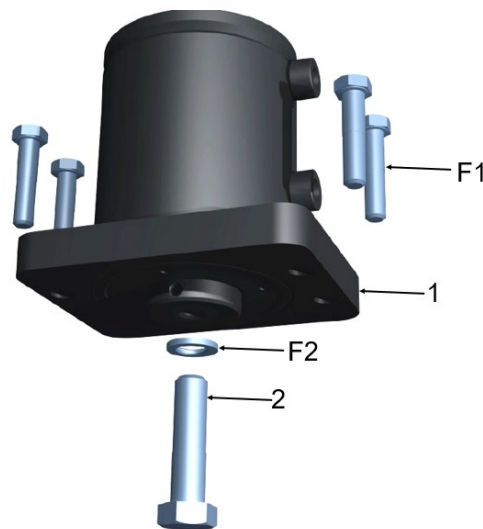
Item	Description	Ref. No.	Part No.	Qty
1	Scraper	IW1-151	304195	1
2	Screw M10-1.5x30mm	IW1-152		2

IW1-160 Protection Cover Assembly



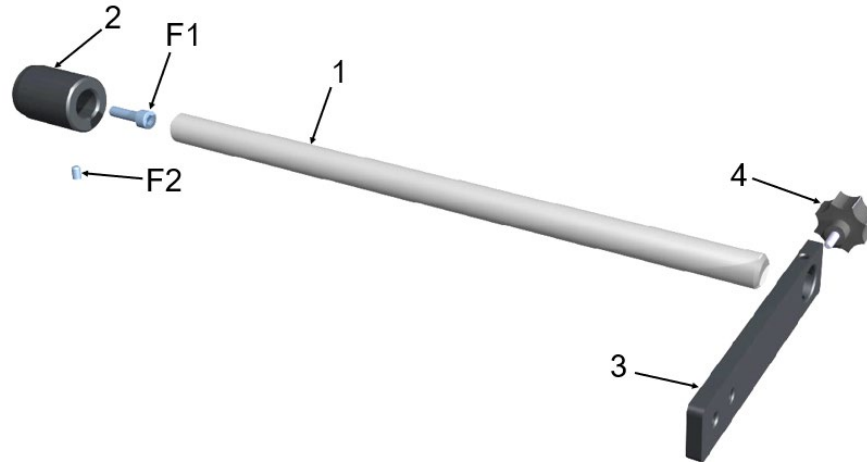
Item	Description	Ref. No.	Part No.	Qty
1	Protective Cover	IW1-161		1
2	Clear Cover	IW1-162		1
3	Hinge	H-40x40		4
4	Hinge Bracket	IW1-163		4
F1	Countersunk Bolt (M5-0.8 x 10mm)	CB-M5x10		6
F2	Screw, Soc Head (M5-0.8 x 10mm)	HB-M5x10	78833	8
F3	Nut, Hex (M5-0.8)	HN-M5		4

IW1-180 Piston / Cylinder Assembly



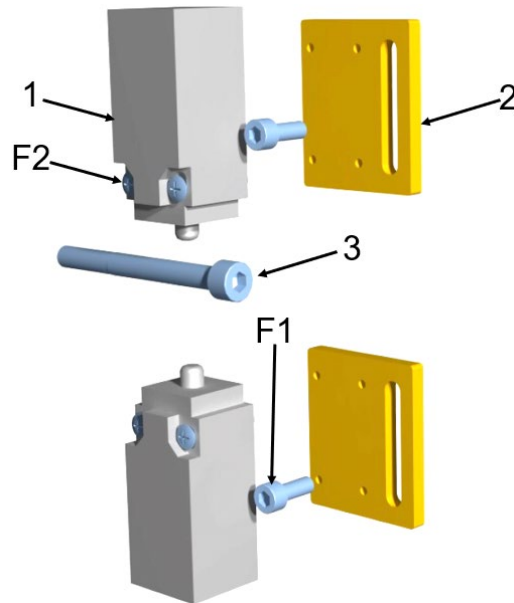
Item	Description	Ref. No.	Part No.	Qty
1	Piston / Cylinder Group	IW1-181		1
2	Cylinder Screw, Hex Head (M24-3.0 x 80mm)	HXB-M24x80		1
F1	Screw, Hex Head (M16-2.0 x 70mm)	HXB-M16x70		4
F2	Washer (M20)	R-M20		1

IW1- 190 Stock Stop Assembly



Item	Description	Ref. No.	Part No.	Qty
1	Stop Stock Rod	IW1-191	304196	1
2	Bracket for Stock Stop	IW1-192	304197	1
3	Stop Bar	IW1-193		1
4	Hand Screw	IW1-194	304198	1
F1	Screw, Soc Head (M10-1.5 x 35mm)	HB-M10x35		1
F2	Screw, Set (M12-1.75 x 12mm)	SS-M8x12		1

IW1-200 Limit Switch Assembly



Item	Description	Ref. No.	Part No.	Qty
1	Limit Switch	IW1-201	304199	2
2	Limit Switch Bracket	IW1-202		24
3	Screw, Hex Head (M8-1.25 x 80mm)	HB-M8x80		1
F1	Screw, Hex Head (M6-1.0 x 16mm)	HB-M6x16		2
F2	Screw, Slotted (M8-1.25 x 21mm)	CSB-M8x12		4

Please contact factory for current prices.

ORDERING INFORMATION

Parts are available for direct purchase from Dake or through a distributor. When placing a parts order, you will need to provide the part number, name of part, and model number. All parts shipped F.O.B. Factory in Grand Haven, MI.

MACHINE COMPLIANCES

The manufacturer declares the described products meet the essential requirements of the below mentioned standards as based on Machinery Directive **2006/42/EU**, Low Voltage Directive **2014/35/EU**, Electromagnetic Compatibility Directive **2014/30/EU**

APPLICABLE DIRECTIVES:

2006/42/EU MACHINE SAFETY DIRECTIVE

2014/35/EU LOW VOLTAGE DIRECTIVE

2014/30/EU ELECTROMAGNETIC COMPATIBILITY DIRECTIVE

APPLICABLE REGULATIONS:

EN ISO 12100:2010; EN ISO 13849-1:2015; EN ISO 13855:2010; EN ISO 13857:2008; EN ISO 13850:2015; EN 60204-1:2006/A1:2009/AC:2010; EN 61000-6-2:2005; EN 61000-6-4:2007/A1:2011; EN ISO 11202:2010