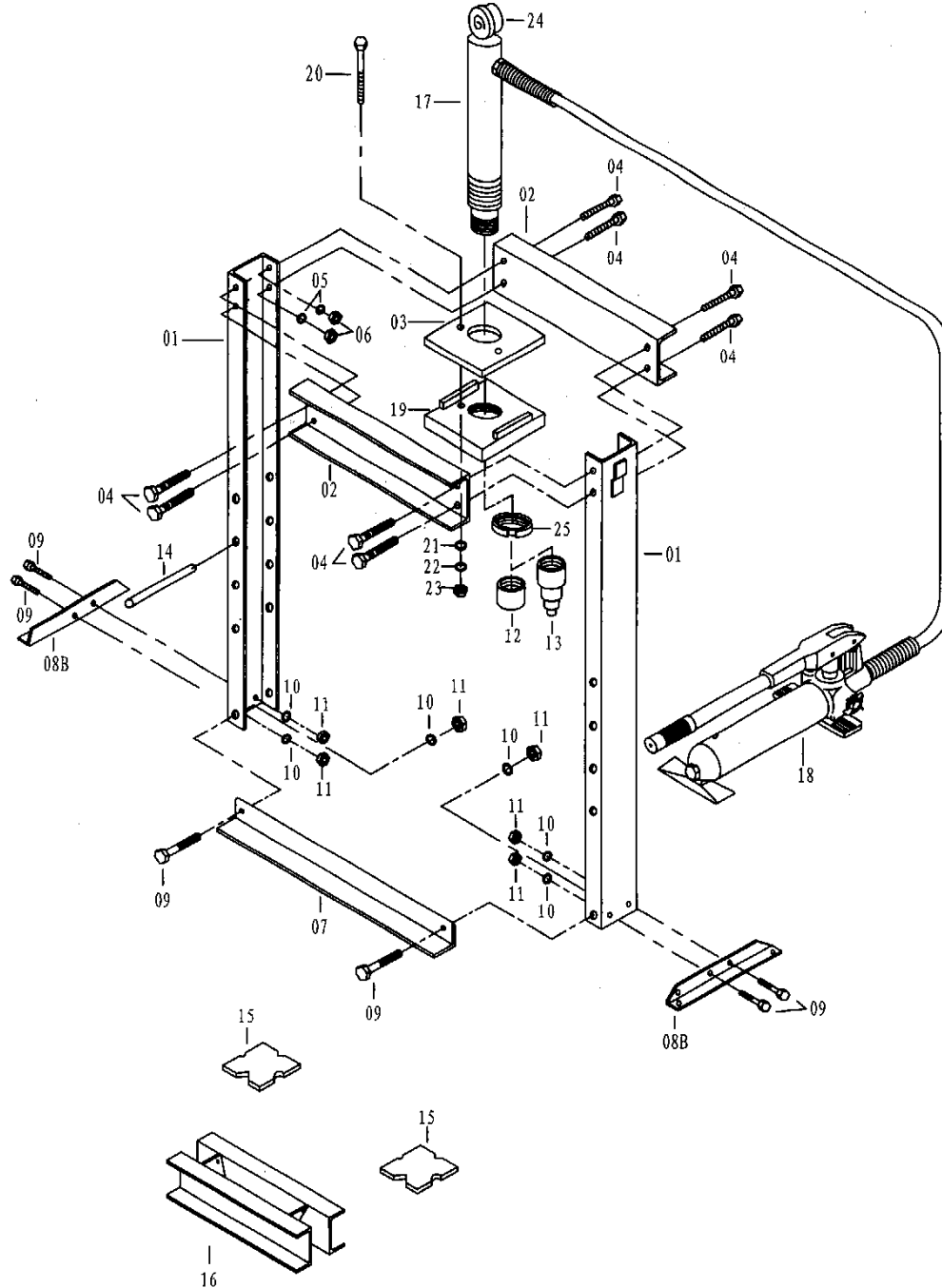


Parts List

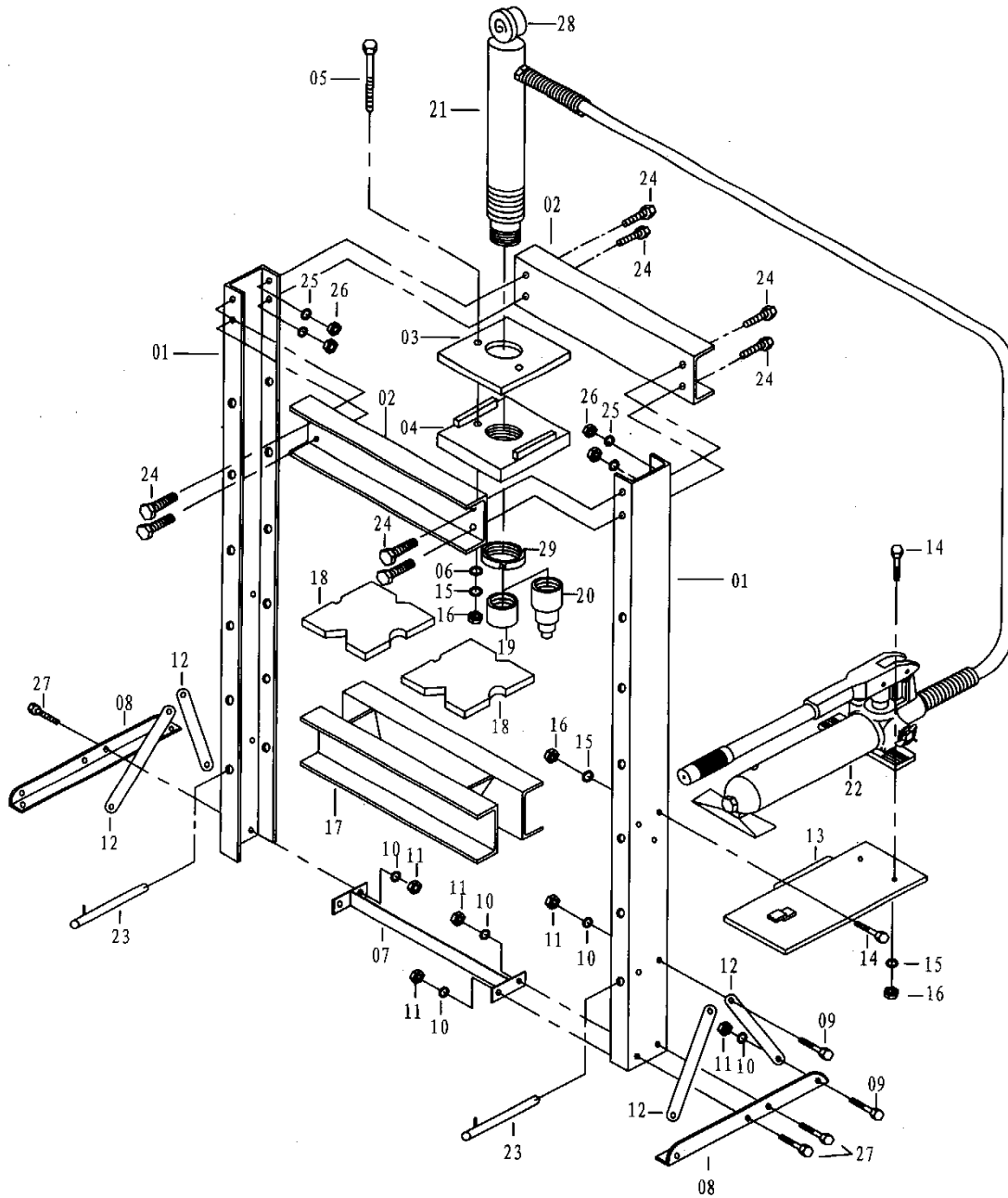
10 Ton Bench Press:



10 Ton Bench Press Parts List			
Ref #	Part #	Description	Quantity
1	301139	Frame Upright Channel	2
2	301138	Head Frame Channel	2
3	301137	Head Ram Traverse Plate	1
4	301136	Bolt M12 x 110mm	6
5	301135	Lock washer 12mm	6
6	301134	Nut M12 x 4	6
7	301132	Union Support	1
8	301131	Base Angle	2
9	301130	Bolt M8 x 20	6
10	301129	Lock Washer 8mm	6
11	301128	Nut M8	6
12	301127	Flat Nose Piece	1
13	301126	Step Nose Piece	1
14	301125	Table Pin	2
15	301124	Table Plate	2
16	301123	Worktable	1
17	301122	Ram / Cylinder	1
17A	302382	Cylinder Spring	1
18	301121	Pump Unit	1
19	301133	Head Ram Traverse Plate	1
20	301150	Bolt M10 x 140	2
21	302277	Washer 10mm	2
22	301149	Lock Washer 10mm	2
23	301141	Nut 10mm	2
24	302019	Gauge (Original)	1
25	302276	Ring	1

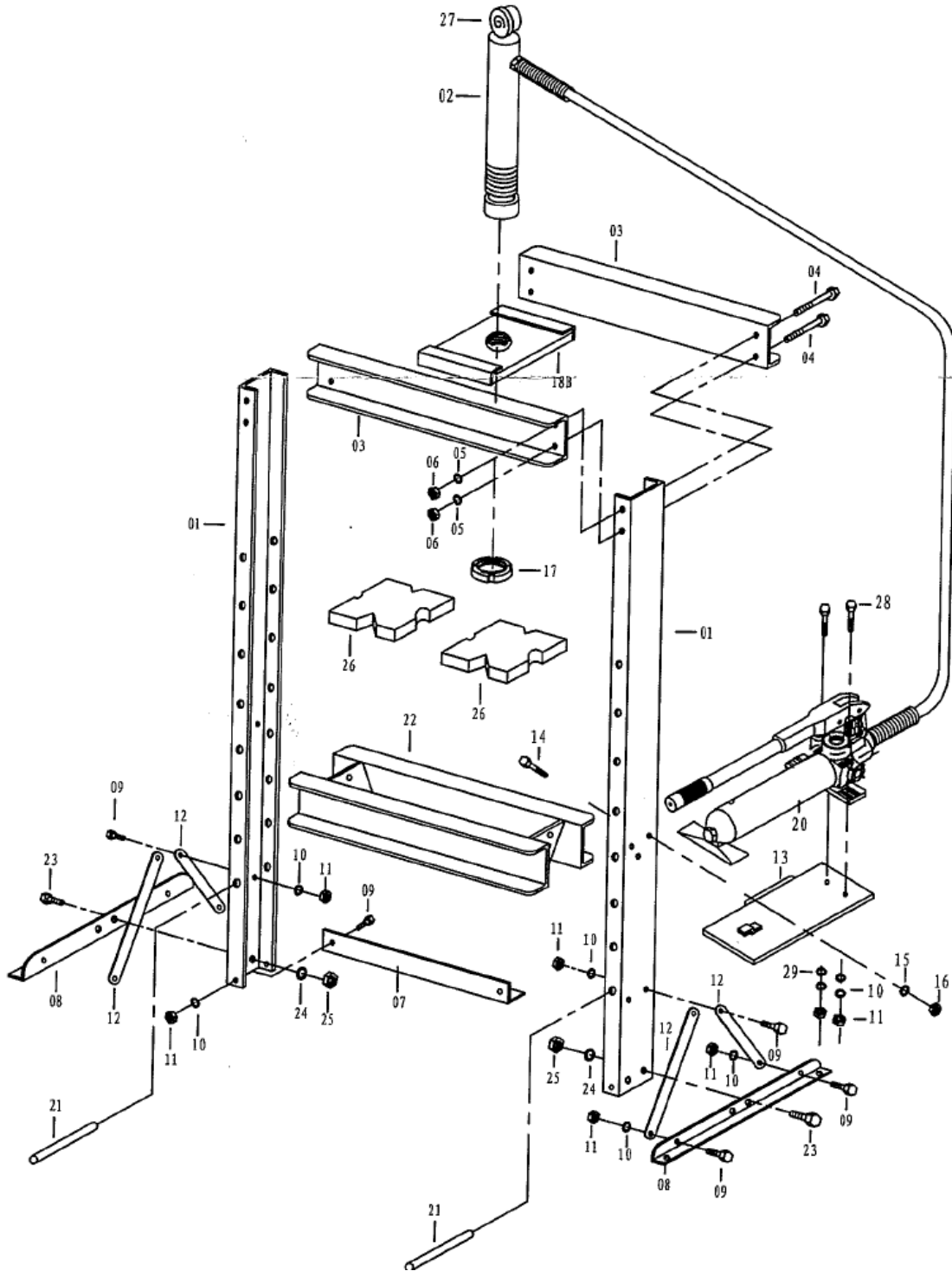
Items Not Shown	
Part #	Description
302318	Cylinder Seal kit
302382	Spring for cylinder
302310	Fitting Nipple
302309	Fitting Coupler
302554	Pump repair kit
302508	Hydraulic hose w/Coupling
302019	10 Ton Gauge
302019C	10 Ton Certified Gauge
302596	0-5000lbs. Gauge
302777	Max Hand Gauge 1-10 Ton

10 Ton Floor Utility Press:



10 Ton Floor Press Parts List			
Ref #	Part #	Description	Quantity
1	301154	Frame Upright Channel	2
2	301153	Head Frame Channel	2
3	301152	Head Ram Traverse Plate (Upper)	1
4	300151	Head Ram Traverse Plates (Lower)	1
5	301150	Bolt M10 x 120mm	2
6	301149	Lock Washer 10mm	2
7	301148	Union Support	1
8	301147	Base Angle	2
9	301146	Bolt M8 x 25	12
10	301129	Lock Washer 8mm	12
11	301128	Nut M8	12
12	301145	Angle Support Strap	4
13	301144	Pump Support Bracket	1
14	301143	Bolt M10 x 25	5
15	301142	Lock Washer 10mm	4
16	301141	Nut M10	4
17	301123	Worktable	1
18	301124	Table Plate	2
19	301127	Flat Nose Piece	1
20	301126	Step Nose Piece	1
21	301140	Ram / Cylinder	1
21A	302383	Cylinder Spring	1
22	301121	Pumping Unit	1
23	301125	Table Pin	2
24	301136	Bolt M12 x 110mm	4
25	301135	Lock Washer 12mm	4
26	301134	Nut M12	4
27	302274	Bolt M8 x 25	4
28	302019	Gauge (Original)	1
29	302275	Ring	1
Additional Parts Not Shown			
Part #	Description		
302318	Seal Kit		
302383	Cylinder Spring (21A)		
302310	Fitting Nipple		
302309	Fitting Coupler		
302554	Pump Repair kit		
302508	Hydraulic Hose w/Coupling		
302019	10 Ton Gauge		
302019C	10 Ton Certified Gauge		
302596	0-5000lbs. Gauge		
302777	Max Hand Gauge 1-10 Ton		

20 Ton Floor Utility Press:



20 Ton Floor Press Parts List			
Ref #	Dake Part #	Description	Quantity
1	303183	Frame Upright Channel	2
2	303184	Ram Cylinder	2
3	303208	Head Frame Channel	2
4	303204	Bolt M18 x 140mm	4
5	303203	Lock Washer 18mm	4
6	303205	Nut 18mm	4
7	303186	Union Support	1
8	303207	Base Angle	2
9	301146	Bolt M8 x 25mm	10
10	301129	Lock Washer 8mm	12
11	301128	Nut 8mm	12
12	301145	Angle Support Strap	4
13	301144	Pump Support Bracket	1
14	301143	Bolt M10 x 25mm	3
15	301142	Lock Washer 10mm	3
16	301141	Nut 10mm	3
17	303187	Spanner Nut	1
18	303202	Head Traverse Plate	1
20	303192	2 Stage Pumping Unit	1
21	303194	Table Pin	2
22	303197	Table	1
23	78754	Bolt M12 x 30mm	4
24	301135	Washer 12mm	4
25	301134	Nut 12mm	4
26	303193	Pressing plates	2
27	303198	Gauge	1
28	78786	Bolt M8 x 30mm	2
29	303206	Washer 8mm	2

Items Not Shown	
Part #	Description
303199	Seal Kit
303200	Cylinder Spring
302508	Fitting Nipple
302309	Fitting Coupler
303201	Pump Repair Kit
302508	Hydraulic Hose w/Coupling
303191	Flat Nose Piece
303190	Stepped Nose Piece



Order Information

- *Please contact factory for current prices*
- Parts are available for direct purchase from Dake or through a distributor. When placing a parts order, you will need to provide the part number, name of part, and model number. All parts shipped F.O.B. Factory in Grand Haven, MI.
- If a customer has any questions or concerns regarding a Dake product that was purchased, please email customer service at customerservice@dakecorp.com