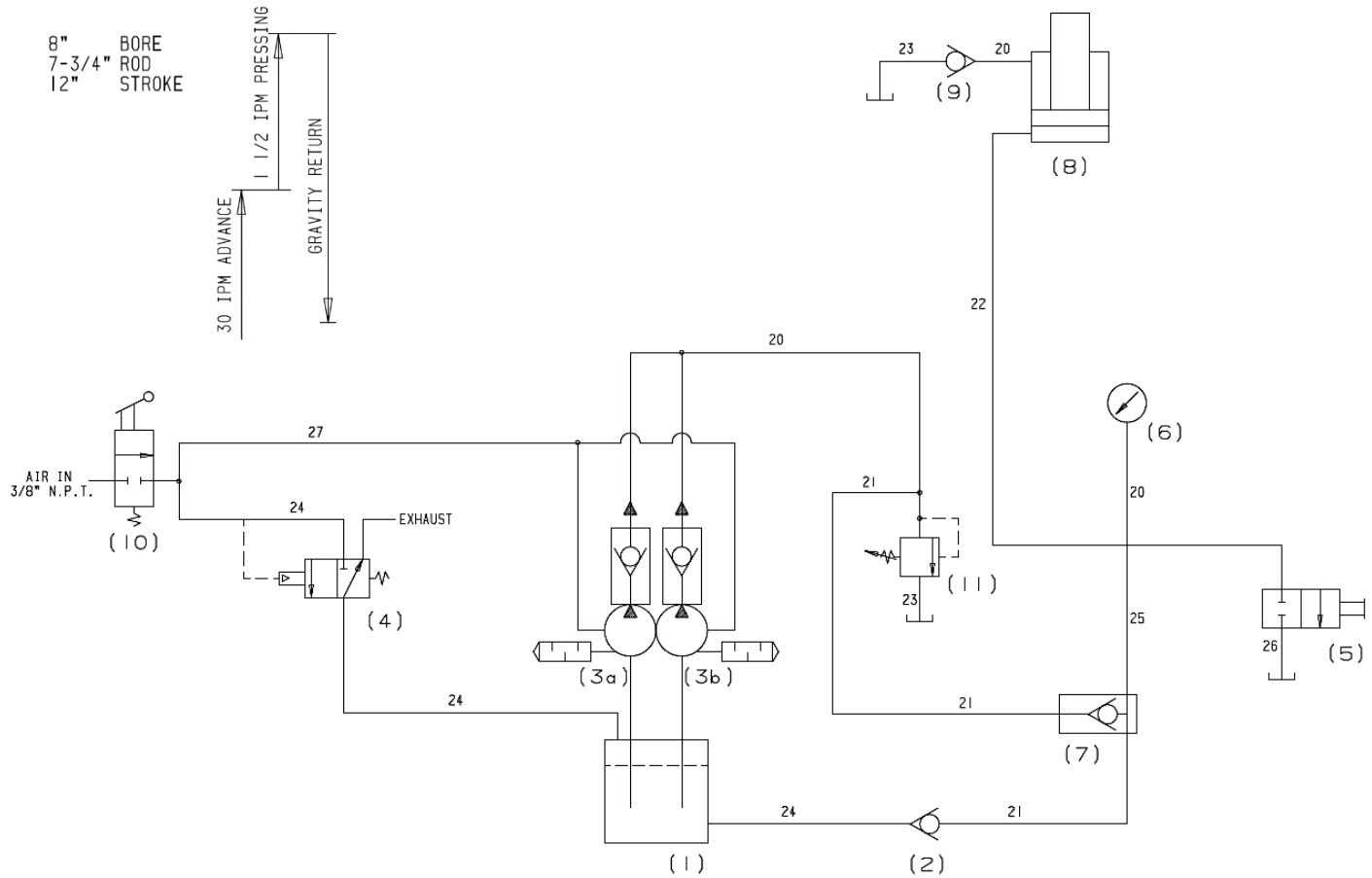


HYDRAULIC DIAGRAM



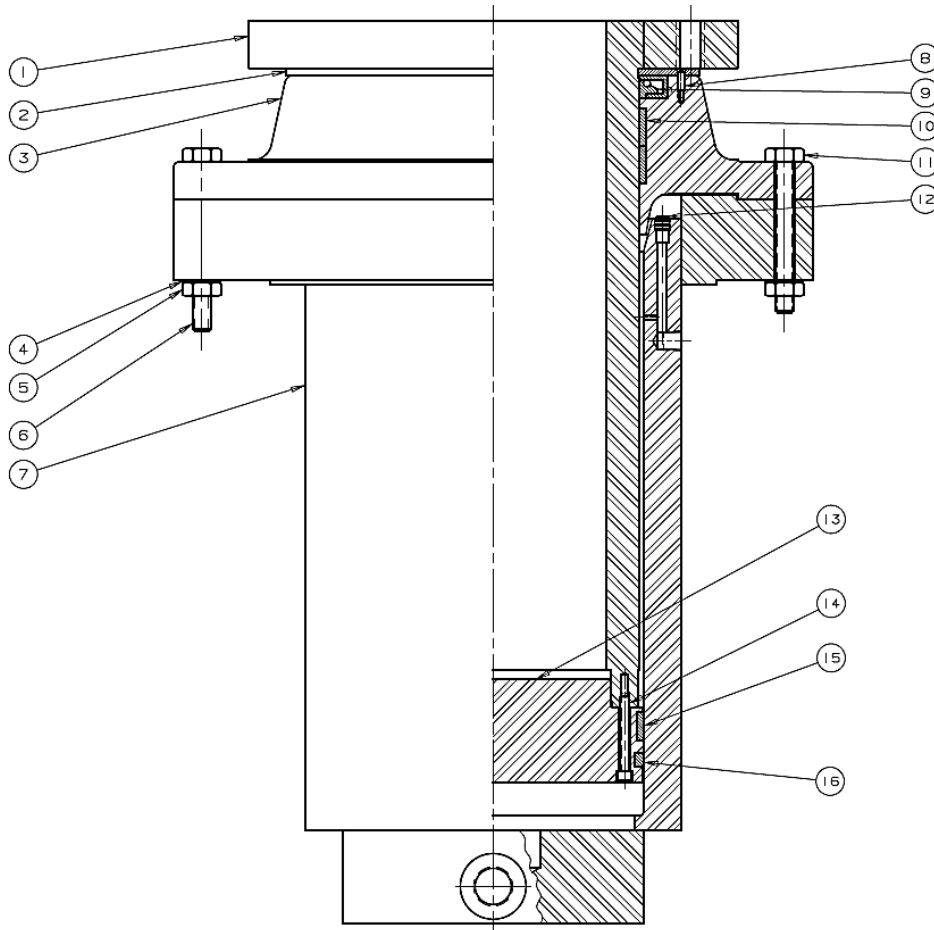
C.F.M. REQUIREMENT 25.0 MAX. NO LOAD

<u>Item</u>	<u>Part No.</u>	<u>Description</u>	<u>Qty</u>
1	1904P	Reservoir	1
2	700232	Check Valve	1
3	63453	Air Pumps	2
4	1911	Quick Exhaust Valve	1
5	710557	Release Valve	1
6	71268	Gauge	1
7	700147	Check Valve	1
8	707070A	Workhead	1
9	1841	Check Valve	1
10	1912	3-Way Valve	1
11	701350	Relief Valve	1

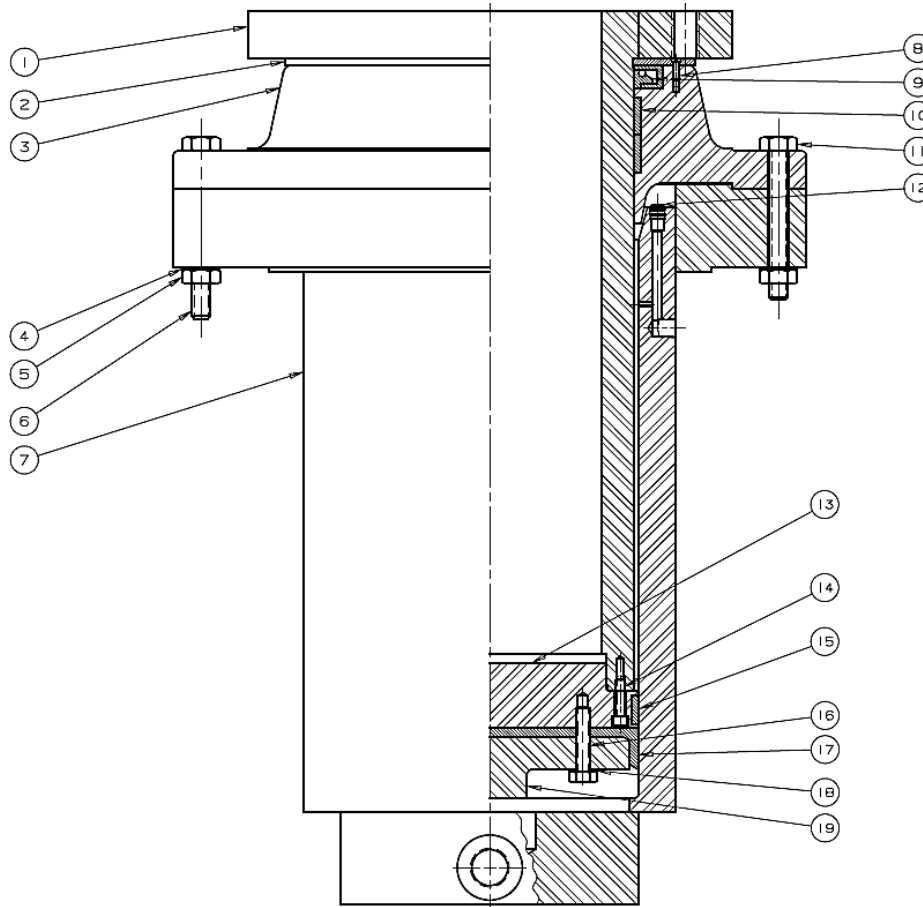
EXPLODED VIEWS & PARTS LISTS

<u>Item</u>	<u>Part No.</u>	<u>Description</u>	<u>Qty</u>
	1551P	Base Angle	2
	700147	Check Valve Assembly	1
	700232	Check Valve Assembly	1
	583	Clamp, Cable (1/4" Cable)	4
	63565	Decal, Tire Press - Platens Must Not Be Loaded Off-Center	1
	58227	Fitting, Pipe, Straight (3/4" Male Pipe Nipple with Hex)	1
	58226	Fitting, Pipe, Straight (Nipple, 3/8 x 3/8 Male NPTF)	6
	58225	Fitting, Pipe, Straight 1/4 X 1/4 Male NPTF	1
	1252	Fitting, Tube, 37 Deg. (90 Deg. Elbow, 1/2 x 3/8 NPTF)	2
	1511	Fitting, Tube, 37 Deg. (Male Branch Tee, 3/8 x 1/4 NPTF)	1
	73425	Fitting, Tube, 37 Deg. (Straight, 3/8 x 3/8 NPTF)	1
	72047	Fitting, Tube, 37 Deg. (Swivel Nut Elbow, 3/8)	1
	1909P	Frame	1
	300168	Ganged Warning Label. Combined.	1
	71268	Gauge, 150 Ton Hand - 1/4" NPT Male Bottom	1
	701653	Hoist Crank Assembly, W/Bearing, 150 Ton, (Consists of Items: 387 Crank & 606 Handle)	1
	84487	Label, Caution. Table Pins Inserted before Pressing	1
	76462	Label, Lockout Procedure	1
	607	Label, Model Number	1
	24798	Label, Warning - Air Must be Moisture Free	1
	84399	Label, Warning - Keep Fingers Out of Pin Holes	1
	36863	Label, Warning , End of Stroke	1
	43647	Lock Washer (1/2)	2
	43648	Lock Washer (5/8)	4
	81003	Name Plate, Dake	1
	44194	Nipple, Pipe XS, (3/4 x 2-1/2)	1
	43919	Nut, Hex (3/4-10)	8
	43917	Nut, Hex (5/8-11)	4
	77271	Pin, Spring (3/8" x 2-1/2")	6
	7205P	Pin, Table	6
	596	Pipe Plug (1/2 NPTF)	1
	589	Pipe Plug (1/8 NPTF)	1
	1745	Pipe Plug (3/4)	1
	588	Pipe Plug (3/8 NPTF)	1
	1127	Pipe, Reducer Bushing (1/2 x 3/8 Hex)	1
	1798P	Platen, Lower	1
	1813P	Platen, Upper	1
	701825T01	Pressure Tube Assembly	1
	703770	Pressure Tube Assembly, Release Valve to Cylinder	1
	1563P	Pulley, 125 & 150 Ton	2
	1809P	Pulley, Cable	2
	63453	Pump, Air Driven	2
	710557	Release Valve Assembly,	1
	701350	Relief Valve Assembly,	1
	1904P	Reservoir	1

	1822P	Reservoir Cover	1
	43978	Ring, Retaining (3/4" Shaft Size)	6
	302816	Safety Pin for Table Pins	6
	43347	Screw (1/2-13 x 1)	6
	43365	Screw (5/8-11 x 1-3/4)	4
	43348	Screw , Hex Cap (1/2-13 x 1-1/4)	8
	70277	Screw, Drive (#4 x 5/16" Round Hd. Type U)	6
	43349	Screw, Hex Cap (1/2-13 x 1-1/2)	2
	43373	Screw, Hex Cap (3/4-10 x 2)	4
	24569	Screw, Soc Cap (3/4-10 x 3-1/4)	4
	1810P	Shaft, Cable Pulley	1
	1811P	Shaft, Cable Pulley	2
	1819P	Stop Block	4
	700111-S	Table Hoist Sub Assembly, Also need Hoist Crank Assembly 701653	1
	1553P	Table Spacer	4
	79957	Tag, Hook Air Line Here	1
	79956	Tag, No Oil in Reservoir	1
	713339T02	Tube Assembly	1
	713339T03	Tube Assembly	1
	713339T04	Tube Assembly	1
	713339T06	Tube Assembly	1
	701825T02	Tube Assembly, By-Pass	1
	1912	Valve, 3-Way Air	1
	1911	Valve, Quick Exhaust	1
	43649	Washer, Lock (3/4)	4
	707070A	Workhead Assembly	1

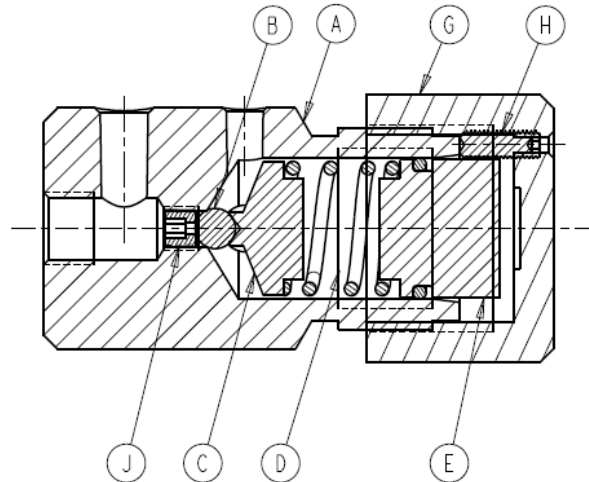


707070A Workhead Assembly – New Style			
Item	Part No.	Description	Qty
1	1796P	Piston	1
2	52478P	Retainer	3
3	31871	Guide, Piston	1
4	43647	Washer, Lock (1/2")	10
5	43419	Screw, Soc Cap (1/4-20 x 2)	4
6	43359	Screw, Hex Cap (1/2-13 x 4-1/2)	4
7	1793P	Cylinder	1
8	43817	Screw, Fl. Hd. Slot Mach. (#10-24 x 1/2)	3
9	1871	Oil Seal,	1
10	31400	Wear Ring	2
11	43358	Screw, Hex Cap (1/2-13 x 4)	6
12	589	Pipe Plug (1/8 NPTF)	2
13	87611P	Piston Cap	1
14	43916	Hex Nut, (1/2-13)	10
15	31399	Wear Ring	1
16	37052	1-T-ring, 2-backers	1
-	707070A	Workhead Assembly (Includes Items: 1-3, 5-16)	-
-	703922	Workhead Repair Kit (For 707070 & 707070A) Includes Items : 9, 10, 15 & 16.	-



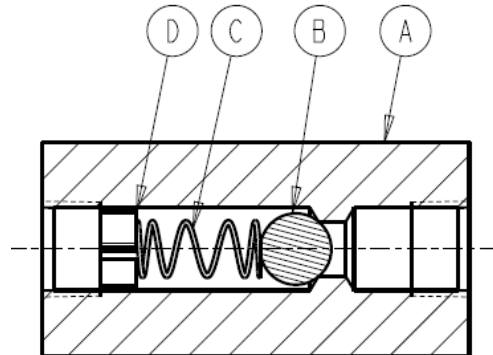
707070 Workhead Assembly – Old Style

Item	Part No.	Description	Qty
1	1796P	Piston	1
2	52478P	Retainer	3
3	31871	Guide, Piston	1
4	43647	Washer, Lock (1/2")	10
5	43916	Screw, Soc Cap (1/4-20 x 2)	10
6	43359	Screw, Hex Cap (1/2-13 x 4-1/2)	4
7	1793P	Cylinder	1
8	43817	Screw, Fl. Hd. Slot Mach. (#10-24 x 1/2)	3
9	1871	Oil Seal,	1
10	31400	Wear Ring	2
11	43358	Screw, Hex Cap (1/2-13 x 4)	6
12	589	Pipe Plug (1/8 NPTF)	2
13	30425P	Piston Cap	1
14	43417	Screw, Soc Cap (1/4-20 x 1-1/2)	4
15	31399	Wear Ring	1
16	43332	Screw (3/8-16 x 1-3/4)	8
17	1538	Piston Leather	1
18	43645	Washer, Lock (3/8")	8
19	1536	Ring, Supporting	1
N/A	1567	Pipe Plug (1/4 NPTF)	2
-	707070	Workhead Assembly (Includes all items above)	-
-	703922	Workhead Repair Kit (For 707070 & 707070A) Includes Items : 9, 10, 15 & 17.	-



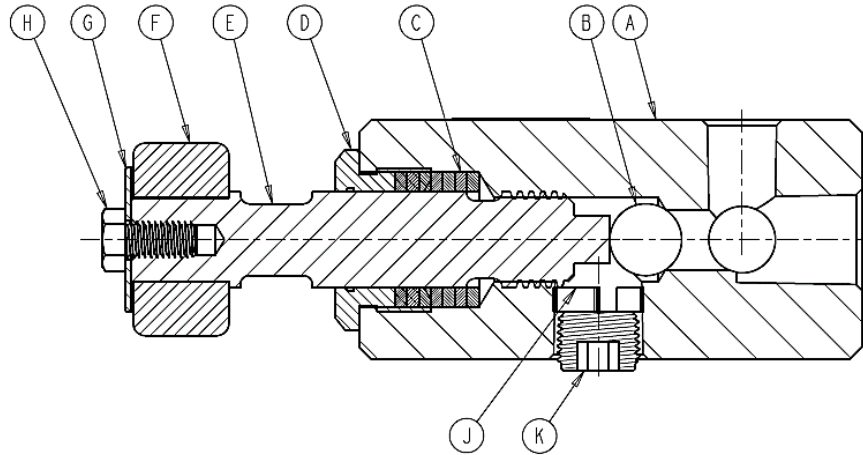
701350 Relief Valve Assembly

<u>Item</u>	<u>Part No.</u>	<u>Description</u>	<u>Qty</u>
A	1093P	Relief Valve Body	1
B	1222	Valve, Ball (5/16")	1
C	1094P	Retainer, Ball	1
D	1221	Spring, Valve Compressor	1
E	1095P	Retainer, Spring	1
F	1111	O-Ring, Unif 215 Buna	1
G	1096P	Relief Valve Cap	1
H	43548	Screw, Soc Set (#10-24 x 3/4, Cup Point)	1
J	1780P	Valve Seat	1
-	701350	Relief Valve Assembly – Includes all item above	-



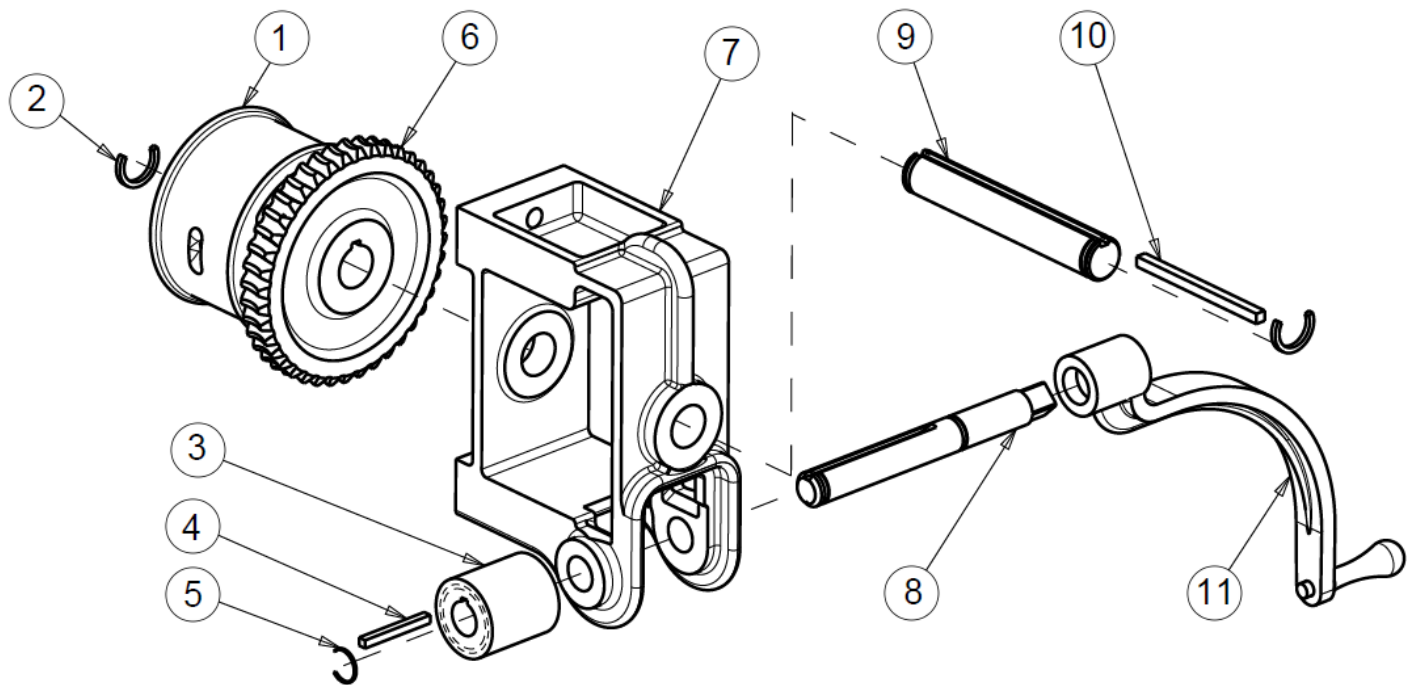
700232 Check Valve Assembly

<u>Item</u>	<u>Part No.</u>	<u>Description</u>	<u>Qty</u>
A	1825	Body, Check Valve	1
B	586	Valve, Ball (1/2")	1
C	890	Spring, Check Valve	1
D	1109	Retainer, Ball	1
-	700232	Check Valve Assembly - Includes all item above	-



710557 Release Valve Assembly			
Item	Part No.	Description	Qty
A	1752P	Release Valve Block	1
B	1936	Valve, Ball	1
C	1937	Washer, Valve Rod Packing	8
D	1931P	Packing Nut	1
E	47946P	Release Valve Rod	1
F	2230A	Handle, Release Valve	1
G	348	Spindle Washer (1-1/2" OD x .40" ID x 1/16 Thick)	1
H	43326	Hex Cap Screw (3/8-16 x 3/4)	1
J	1935	Ball, Retainer	1
K	596	Pipe Plug (1/2 NPTF)	1
-	710557	Release Valve Assembly – Includes all items above	-

TABLE HOIST ASSEMBLY



<u>Item</u>	<u>Part No.</u>	<u>Description</u>	<u>Qty</u>
1	740	Cable Drum	1
2	43983	Ring, Retaining (1-1/4" Shaft Size)	2
3	744	Worm,	1
4	746	Worm Shaft Key (1/4 x 1/4 x 3-7/16)	1
5	43982	Ring, Retaining (1" Shaft Size)	2
6	743	Gear, Worm	1
7	739	Hoist Frame	1
8	742	Worm Shaft	1
9	741	Drum Shaft	1
10	745	Drum Shaft Key (5/16 x 5/16 x 4)	1
11	701653	Ratchet Handle Assembly	1
N/A	45954	Cable, 1/4 Dia.	19ft
-	700111-S	Hoist Assembly (Parts 1-10)	-

701825T01 Pressure Tube Assembly		
<u>Part No.</u>	<u>Description</u>	<u>Qty</u>
Part	Part Description	QTY
51456	Fitting, Tube, 37 Deg. (Inch Sleeve- SAE 14)	2
51455	Fitting, Tube, 37 Deg. (Nut, 7/8-37 Deg. Flare Style "B")	2
1943	Fitting, Tube, 37 Deg. (Straight, 7/8 x 3/4 NPTF)	2
45925	Tubing 7/8"x.120	12"

701825T02 By-Pass Tube Assembly		
<u>Part No.</u>	<u>Description</u>	<u>Qty</u>
Part	Part Description	QTY
1248	Fitting, Tube, 37 Deg. (90 Deg. Elbow, 3/8 x 1/4 NPTF)	1
1249	Fitting, Tube, 37 Deg. (Run Tee, 3/8 x 1/4 NPTF)	1
76221	Fitting, Tube, Nut	2
1102	Pipe, Reducer Bushing (3/8 x 1/4 Hex Steel)	1
45923	Tubing, 3/8"x.065	12"

713339T03 Tube Assembly		
<u>Part No.</u>	<u>Description</u>	<u>Qty</u>
Part	Part Description	QTY
1248	Fitting, Tube, 37 Deg. (90 Deg. Elbow, 3/8 x 1/4 NPTF)	1
51456	Fitting, Tube, 37 Deg. (Inch Sleeve- SAE 14)	2
51455	Fitting, Tube, 37 Deg. (Nut, 7/8-37 Deg. Flare Style "B")	2
45923	Tubing, 3/8"x.065	12"

713339T04 Tube Assembly		
<u>Part No.</u>	<u>Description</u>	<u>Qty</u>
1248	Fitting, Tube, 37 Deg. (90 Deg. Elbow, 3/8 x 1/4 NPTF)	1
51456	Fitting, Tube, 37 Deg. (Inch Sleeve- SAE 14)	2
51455	Fitting, Tube, 37 Deg. (Nut, 7/8-37 Deg. Flare Style "B")	2
1247	Fitting, Tube, 37 Deg. (Straight, 3/8 x 1/4 NPTF)	1
45923	Tubing, 3/8"x.065	12"

713339T06 Tube Assembly		
<u>Part No.</u>	<u>Description</u>	<u>Qty</u>
1251	Fitting, Tube, 37 Deg. (Straight, 1/2 x 3/8 NPTF)	2
46614	Nut, Flare (Nut, 1/2-37 Deg. Flare Style "B")	2
45924	Tubing 1/2"x.083	30"

701825T02 By-Pass Tube Assembly		
<u>Part No.</u>	<u>Description</u>	<u>Qty</u>
Part	Part Description	QTY
1330	Coupling, Pipe (1/4")	1
51456	Fitting, Tube, 37 Deg. (Inch Sleeve- SAE 14)	2
51455	Fitting, Tube, 37 Deg. (Nut, 7/8-37 Deg. Flare Style "B")	2
1247	Fitting, Tube, 37 Deg. (Straight, 3/8 x 1/4 NPTF)	2
45923	Tubing, 3/8"x.065	12"
1841	Valve, Check	1

ORDERING INFORMATION

Please contact factory for current prices.

Parts are available for direct purchase from Dake or through a distributor. When placing a parts order, you will need to provide the part number, name of part, and model number. All parts shipped F.O.B. Factory in Grand Haven, MI.