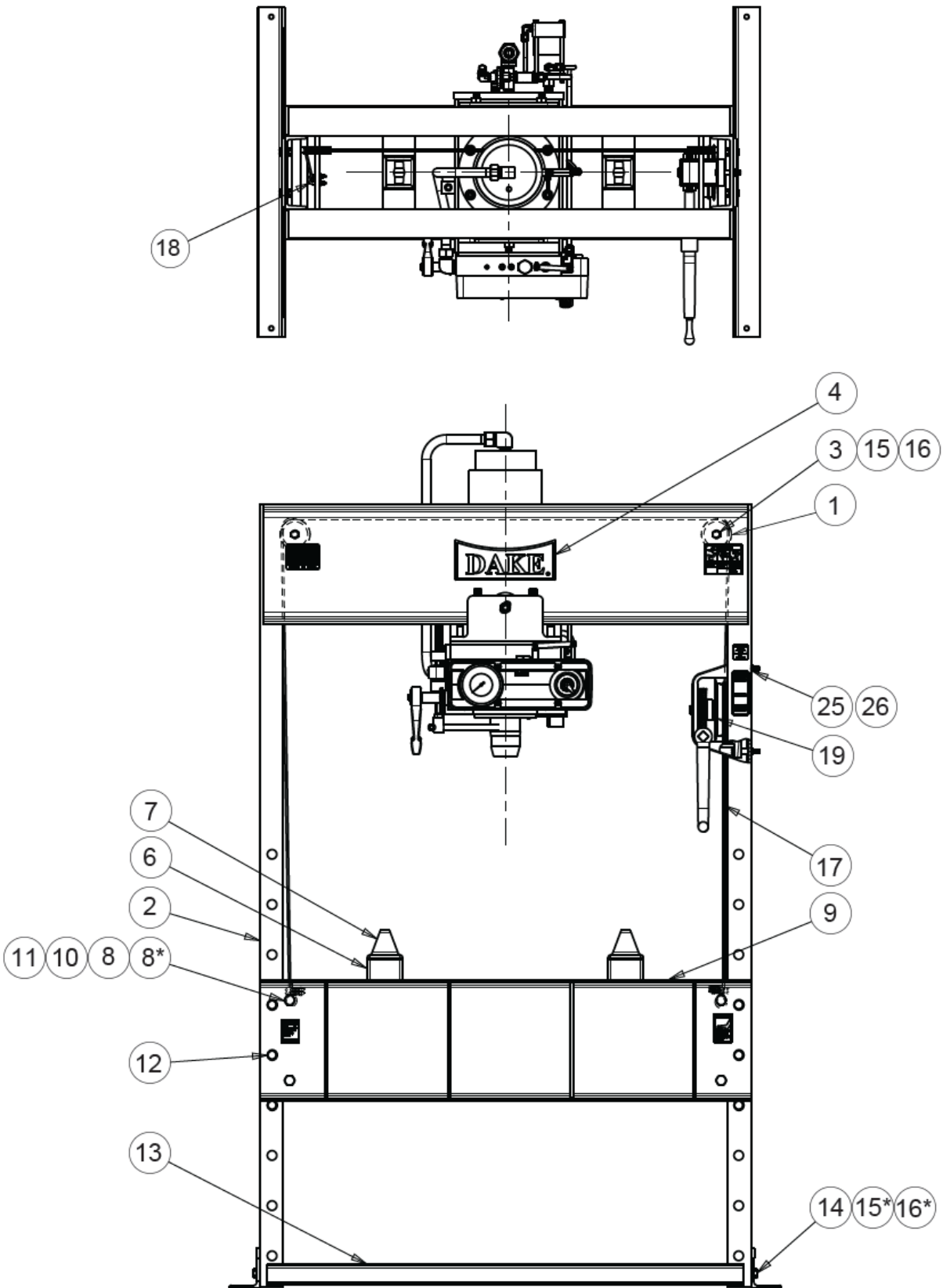
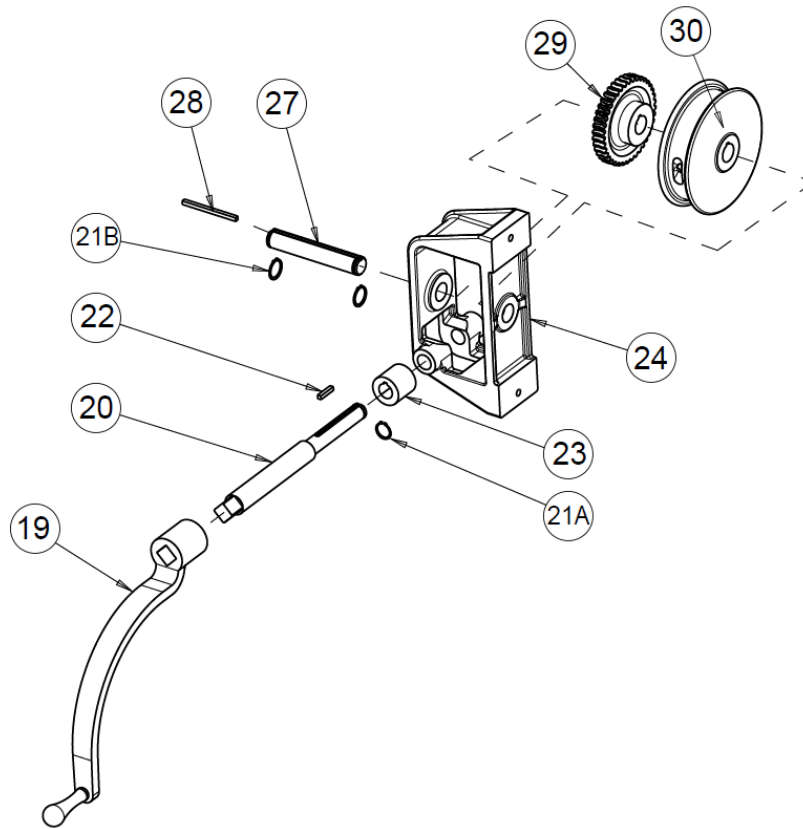


EXPLODED VIEW & PARTS LIST



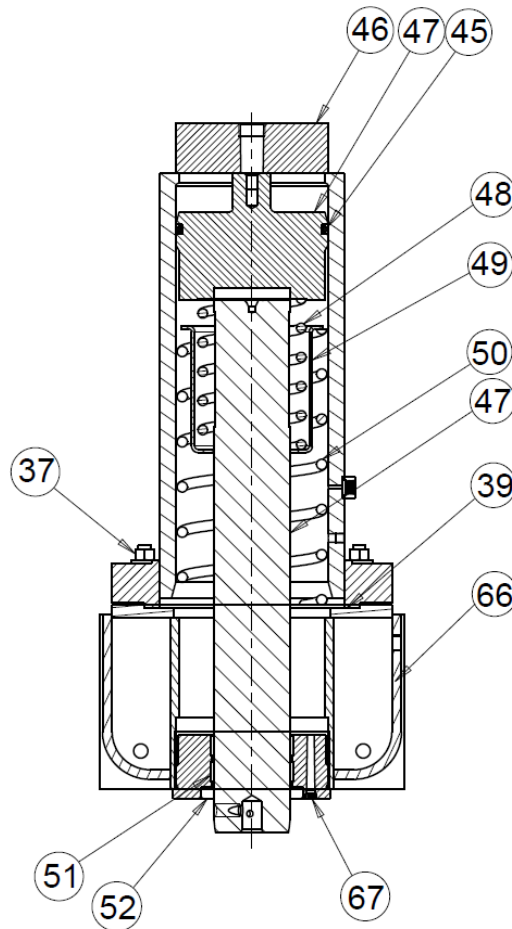
<u>Item</u>	<u>Part Description</u>	<u>Part No.</u>	<u>Qty</u>
1	Pulley	727	2
2	Frame	706943	1
2*	Spacer	997	2
3	Hex Cap Screw (1/2"-13 x10")	43361	2
4	Name Plate	81003	1
6	Table Plate	702A	1
7	V-Blocks	336	2
8	Table Spacer Assembly	716788	4
8*	Hex Cap Screw (5/8"-11 x 10-1/2")	79983	4
9	Table Channel	706945	2
10	Lock Washer (5/8")	43648	2
11	Hex Nut (5/8"-11)	43917	2
12	Table Pin	569	6
13	Base Angle	566	2
14	Hex Head Bolt (1/2-13 x 1-1/4")	43349	4
15	Lock Washer (1/2")	43647	2
15*	Lock Washer (1/2")	43647	4
16	Hex Nut (1/2"-13)	43916	2
16*	Hex Nut (1/2"-13)	43916	4
17	Cable (Ø 3/16")	726	1
18	Cable Clamps	991	4
19	Table Hoist Assembly - Includes Crank	701677	1
25	Hex Cap Screw (43335)	43335	2
26	Hex Nut (3/8"-16)	43912	2
-	Workhead Assembly - Single Pump	906276	
-	Workhead Assembly - Double Pump	906476	
*	Relief Valve (Optional)	713510	

TABLE HOIST ASSEMBLY 701677

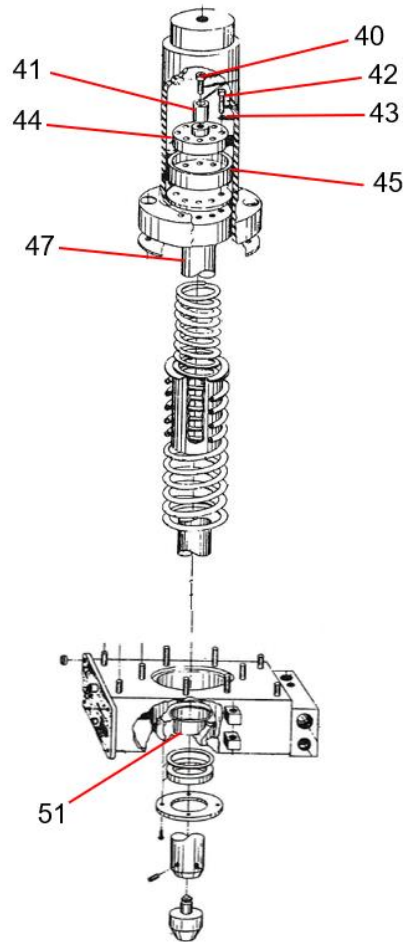


<u>Item</u>	<u>Part Description</u>	<u>Part No.</u>	<u>Qty</u>
19	Hoist Crank Assembly	701653A	1
20	Worm Shaft	7530	1
21A	Retaining Ring	43978	2
21B	Retaining Ring	27437	2
22	Worm Key	47364	1
23	Worm	385	1
24	Hoist Frame	725	1
27	Drum Shaft	724P	1
28	Drum Key	737	1
29	Worm Gear	736	1
30	Cable Drum	723	1

POWER UNIT ASSEMBLY



<u>Item</u>	<u>Part Description</u>	<u>Part No.</u>	<u>Qty</u>
37	Hex Nut (1/2"-13)	43916	4
39	Cylinder Gasket	9777	1
45	Packing Ring	17942	1
46	Cylinder	2213	1
47	Piston Assembly – Serial No. > 192552	716227	1
48	Ram Spring (Small)	2231	1
49	Spring Spacer	2233	1
50	Ram Spring (Larger)	2232	1
51	Wear Ring	76807	1
52	Oil Seal	6021	1
55	Self-Tapping Screw (#10-24 x 3/8") (Not Shown)	43881	4
66	Reservoir Assembly	716784	1
67	Pipe Plug	589	1
-	Piston Guide	87112	1
-	Cylinder Repair Kit (Items 39, 45, 52, 53, 72, 74, 89, 93, & 97)	713055	1

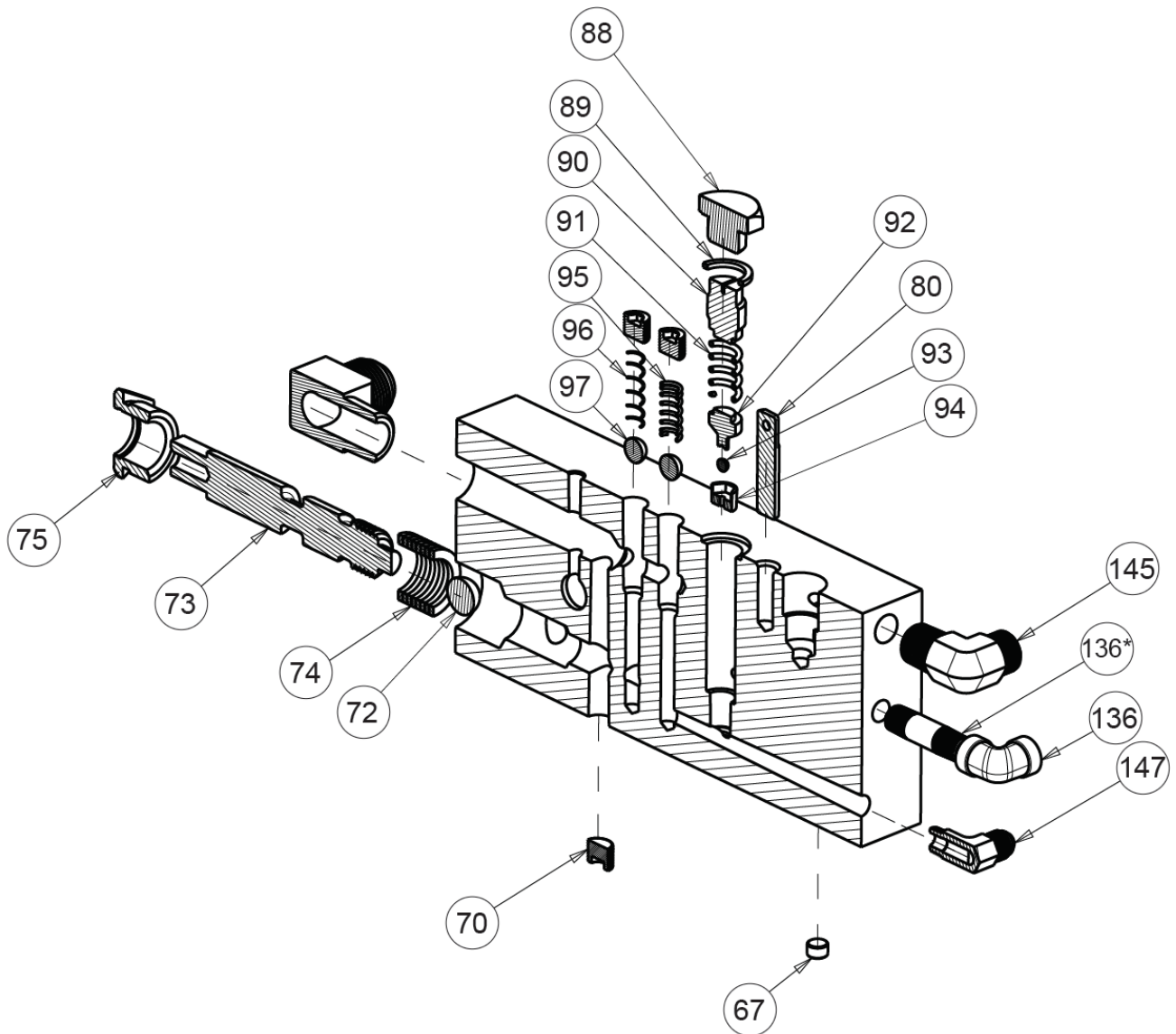


* For presses with serial numbers lower than 192522 or made before 1992 refer to this exploded view and parts list for accurate part information. All other parts that are not listed below are the same for all the 75 ton Air Presses and can be found in this manual. *

<u>Item</u>	<u>Part Description</u>	<u>Part No.</u>	<u>Qty</u>
40	Soc. Cap Screw (1/2"-13 x 1-1/2")	43471	1
41	Piston Bumper	2221	1
42	Hex Cap Screw (1/4"-20 x 1")	43332	4
43	Lock Washer (1/4")	43645	4
44	Supporting Ring	2222	1
45	Leather Cup	706	1
47	Piston Assembly (old)	701403	1
51	Piston Bushing	2229	1

<u>Item</u>	<u>Part Description</u>	<u>Part No.</u>	<u>Qty</u>
56	Set Screw (5/16")	43575	1
57	Nose Piece	701708	1
58	v-Nose Piece (Not Shown)	701712	1
59	Stroke Indicator Rod	2260	1
60	Hex Jam Nut (1/2"-13)	43940	1
61	Stroke Indicator Special Nut	2259	1
62	Socket Cap Screw (1/4"-20 x 1/4")	43558	1
63	Stroke Indicator Support Stud	2258	1
65	Stroke Indicator Scale	2261	1
69	Pipe Plug (3/4" NPTF)	1745	1
70	Pipe Plug (3/8" NPTF)	588	4
71	Pipe Plug (1/4" NPTF)	1567	1
76	Release Valve Handle	2230A	1
77	Spindle Washer (1-1/2" OD x .4" ID x 1/16")	348	1
78	Hex Cap Screw (3/8"-16 x 3/4")	43326	1
81	Air Control Arm	6153	1
81*	Slotted Screw (#10-24 x 3/4")	43849	3
81*	Locknut (#10-24)	44350	1
82	Air Control Link	6154	1
85	Air Control Shaft	6156	1
100	Machine Screw (#10-24 x 2-3/4")	300248	4
101	Gauge	71272	1
101*	Special Gauge Bushing	81384	
102	Control Panel	80743	1
	Control Panel Decal	6446	1
103	Control Knob	2250A	1
104	Socket Head Screw (1/4"-20 x 1/2")	43562	1
105	Base Angle Washer (1/2")	43634	1
106	Hex Nut (Heavy 5/8"-11)	43917	7
108	Rear Roller Bracket	9472	1
109	Set Screw (3/4"-10 x 3")	43616	3
111	Roller Screw	1297A	3
112	Flanged Roller	2244	3
113	Ball Bearing	6023	3
114	Front Roller Bracket	9473	1
115	Air Driven Pump	63453	1
116	Pipe Fitting (3/8")	58226	5
123	Pipe Nipple (3/4" x 4")	1818	1
124	Pipe Elbow (3/4")	47017	1
125	Pipe Nipple (3/4" x 2")	58227	1
126	Pipe Coupling (3/4")	302273	1
128	Street Elbow (3/8")	1264	2
128*	Pipe Tee	1333	1
130	Quick Exhaust	1911	1
132	Breather Vent	7368	1

<u>Item</u>	<u>Part Description</u>	<u>Part No.</u>	<u>Qty</u>
134	Pipe Bushing (1/4" x 1/8")	1100	1
138	Check Valve (1/4" NPT)	1841	1
139	Tube Fitting (1/4" x 1/8" NPTF)	19576	3
139*	Pipe Reducer Bushing	1102	1
140	Air Vent	632	1
141	Tubing	7682	1
142	Tube	7684	1
143	Tube Elbow (8/7")	1944	2
144	Tube Assembly	701721	1
146	Tube Assembly	701723	1
147	Tube Elbow	1248	3
148	Tube Assembly (3/8")	701725	1
	<u>Items below are for the optional Relief Valve</u>		
	Run Tee, 3/8x1/4 NPTF	1249	1
	90 Deg Elbow, 3/8x1/4 NPTF	1248	1
	¾-90 Degree, 300# AAR Malleable Iron	1740	1
	¾ Thread, 300# Malleable Iron	1742	1
	Steel Socket, Dryseal Thread, Grade 8	1745	1
	Straight Thread Straight O-Ring, SAE 4-6	20727	2
	¼-20 x 1-3/4	43308	4
	Hyd Tube Line, 3/8 x .065 wall	45923	30
	Nut, 3/8-37 Degree Flare style "B"	51452	4
	3/8" Sleeve SAE 6	51453	4
	Relief Valve	61789	1
	¾ x ¼ Hex Steel	773	1
	Male Branch Tee, 1/2x3/8 NPTF	18249	1
	Tube End Reducer 8-6	46615	2



<u>Item</u>	<u>Part Description</u>	<u>Part No.</u>	<u>Qty</u>
67	Pipe Plug (1/8")	589	1
70	Pipe Plug (3/8")	588	4
72	Ball Valve (Ø 3/4")	1936	1
73	Release Valve Rod	2257	1
74	Valve Packing Washer	1937	8
75	Valve Rod Packing Nut	1931	1
79	Plunger Unit (Not Shown)	6151	1
80	Pivot Pin	6152	1
88	Valve Cap Nut	2236	1
89	O-Ring	3965	1
90	Relief Valve Adjusting Screw	2237	1
91	Relief Valve Spring	893	1

<u>Item</u>	<u>Part Description</u>	<u>Part No.</u>	<u>Qty</u>
92	Ball Retainer	892	1
93	Ball Valve (Ø 1/4")	918	1
94	Relief Valve Seat	891	1
95	Check Valve Spring	579	1
96	Check Valve Spring	890	1
97	Ball Valve (Ø 1/2")	586	2
136	Pipe Elbow	1099	1
136*	Pipe Nipple	44157	1
145	Tube Elbow	1252	1
147	Tube Elbow (3/8")	1248	3

Additional parts used with double pump presses not illustrated:

<u>Item</u>	<u>Part Description</u>	<u>Model 6-475</u>	<u>Qty</u>
115	Pump	63453	1
139	Tube Fitting	597	5
149	Tube Tee	1249	1
150	Tube Tee	7693	1
151	Tube Assembly	701727	1
152	Straight Fitting	1251	1
153	Tube Assembly	701729	1
154	Straight Fitting	1247	1
155	Tube Assembly	701730	1

Please contact factory for current prices.

ORDERING INFORMATION

Parts are available for direct purchase from Dake or through a distributor. When placing a parts order, you will need to provide the part number, name of part, and model number. All parts shipped F.O.B. Factory in Grand Haven, MI.