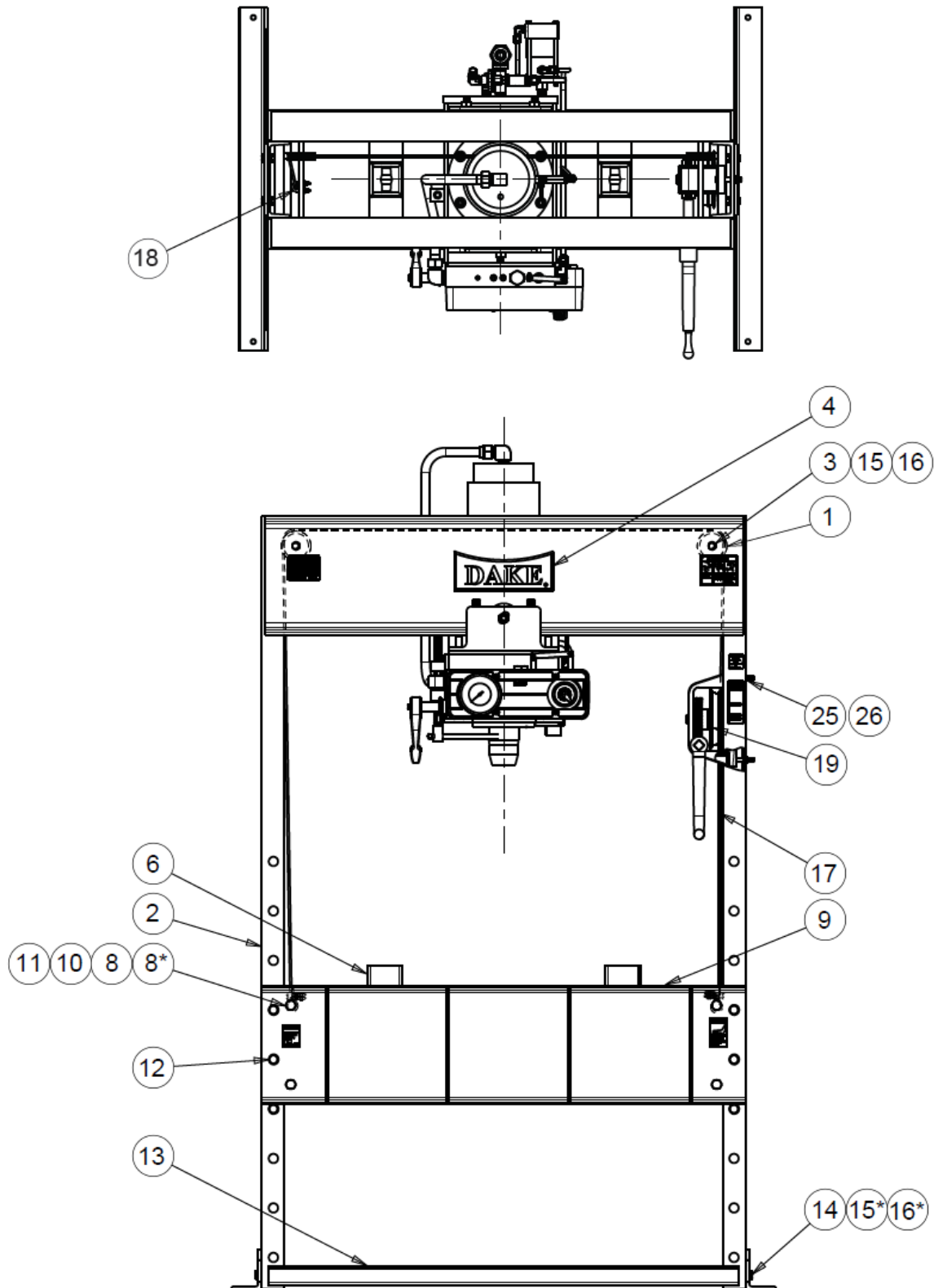
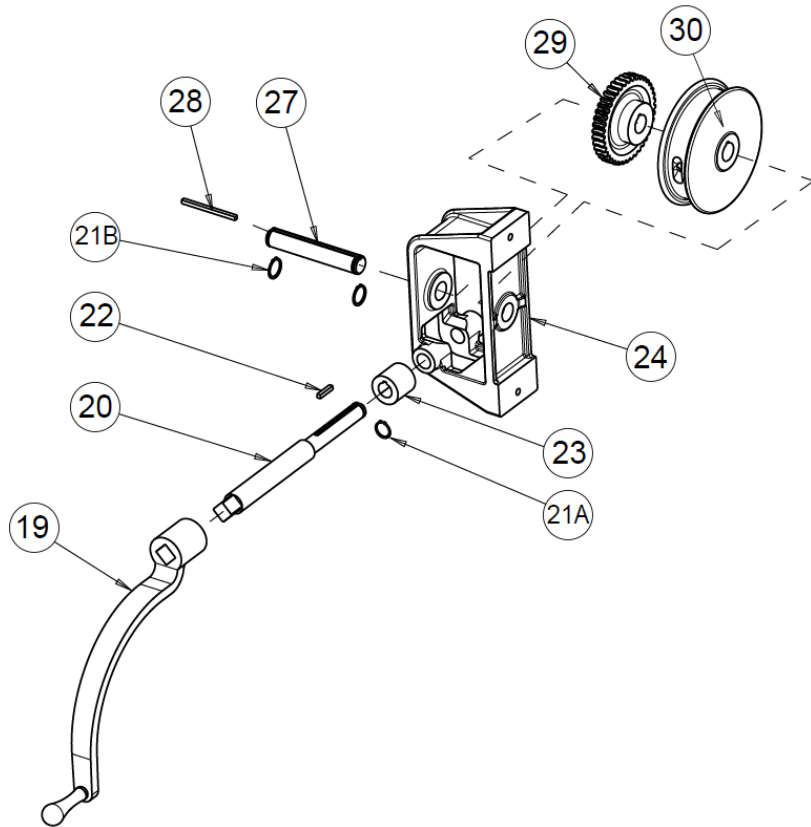


EXPLODED VIEW & PARTS LIST



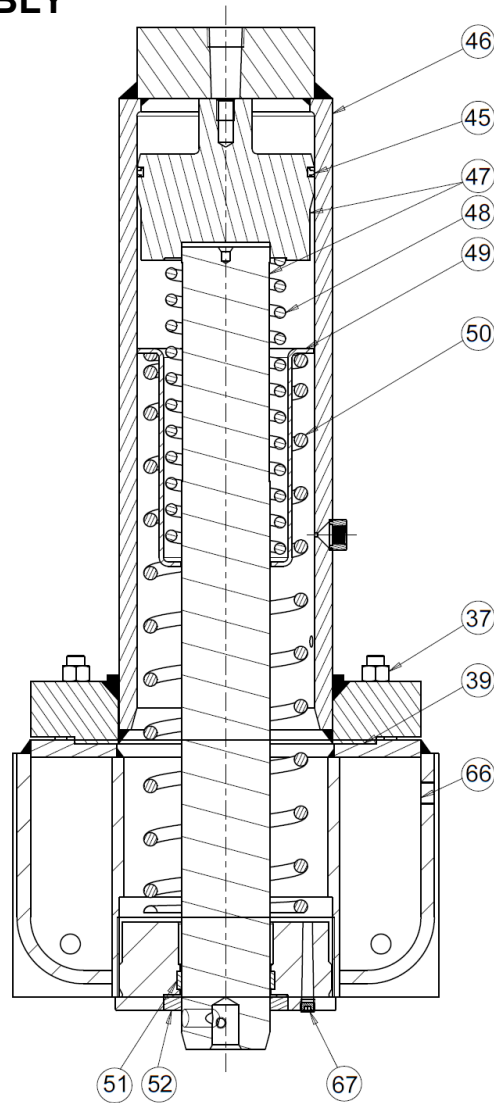
| Item | Part Description | Part No. | Qty |
|-------------|--|-----------------|------------|
| 1 | Pulley | 602 | 2 |
| 2 | Frame | 700116 | 1 |
| 3 | Hex Cap Screw (3/8"-16 x 8-1/2") | 43342 | 2 |
| 4 | Name Plate | 81002 | 1 |
| 6 | Table Plate | 545 | 1 |
| 7 | V-Blocks | 336 | 2 |
| 8 | Table Spacer Assembly | 716692 | 4 |
| 8* | Hex Cap Screw (5/8"-11 x 9-1/2") | 79981 | 4 |
| 9 | Table Channel | 701091 | 2 |
| 10 | Lock Washer (5/8") | 43647 | 2 |
| 11 | Hex Nut (5/8"-11) | 43916 | 2 |
| 12 | Table Pin | 569 | 4 |
| 13 | Base Angle | 566 | 2 |
| 14 | Hex Head Bolt (1/2"-13 x 1-1/4") | 43349 | 4 |
| 15 | Lock Washer (3/8") | 43633 | 2 |
| 15* | Lock Washer (1/2") | 43647 | 4 |
| 16 | Hex Nut (3/8"-11) | 43917 | 2 |
| 16* | Hex Nut (1/2"-13) | 43916 | 4 |
| 17 | Cable (Ø 3/16") | 580 | 1 |
| 18 | Cable Clamps | 991 | 4 |
| 19 | Table Hoist Assembly - Includes Crank | 701677 | 1 |
| 26 | Hex Nut (3/8"-16) | 43912 | 4 |
| - | Workhead Assembly - Single Pump | 906251 | |
| - | Workhead Assembly - Double Pump | 906451 | |

TABLE HOIST ASSEMBLY 701677

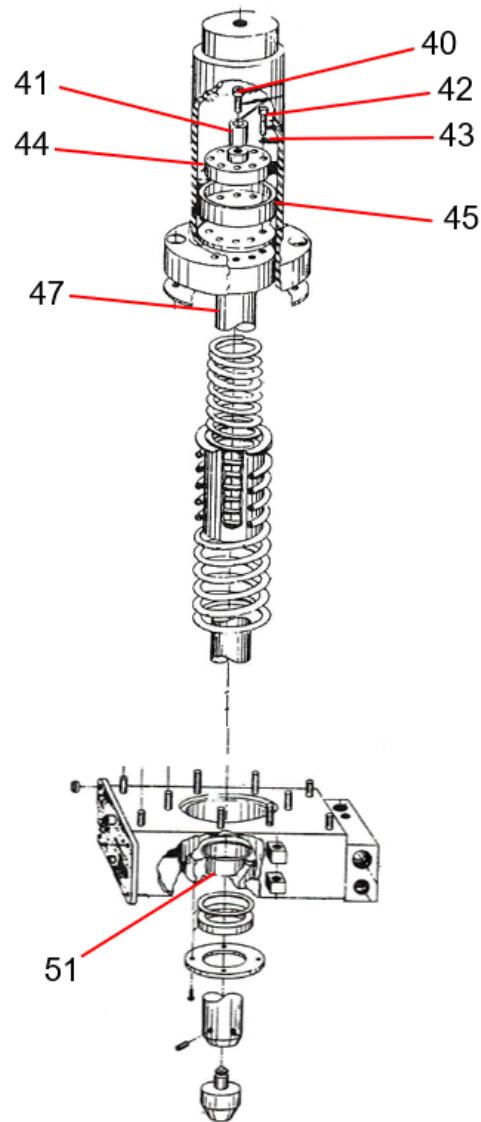


| <u>Item</u> | <u>Part Description</u> | <u>Part No.</u> | <u>Qty</u> |
|-------------|-------------------------|-----------------|------------|
| 19 | Hoist Crank Assembly | 701653A | 1 |
| 20 | Worm Shaft | 7530 | 1 |
| 21A | Retaining Ring | 43978 | 2 |
| 21B | Retaining Ring | 27437 | 2 |
| 22 | Worm Key | 47364 | 1 |
| 23 | Worm | 385 | 1 |
| 24 | Hoist Frame | 725 | 1 |
| 27 | Drum Shaft | 724P | 1 |
| 28 | Drum Key | 737 | 1 |
| 29 | Worm Gear | 736 | 1 |
| 30 | Cable Drum | 723 | 1 |

POWER UNIT ASSEMBLY

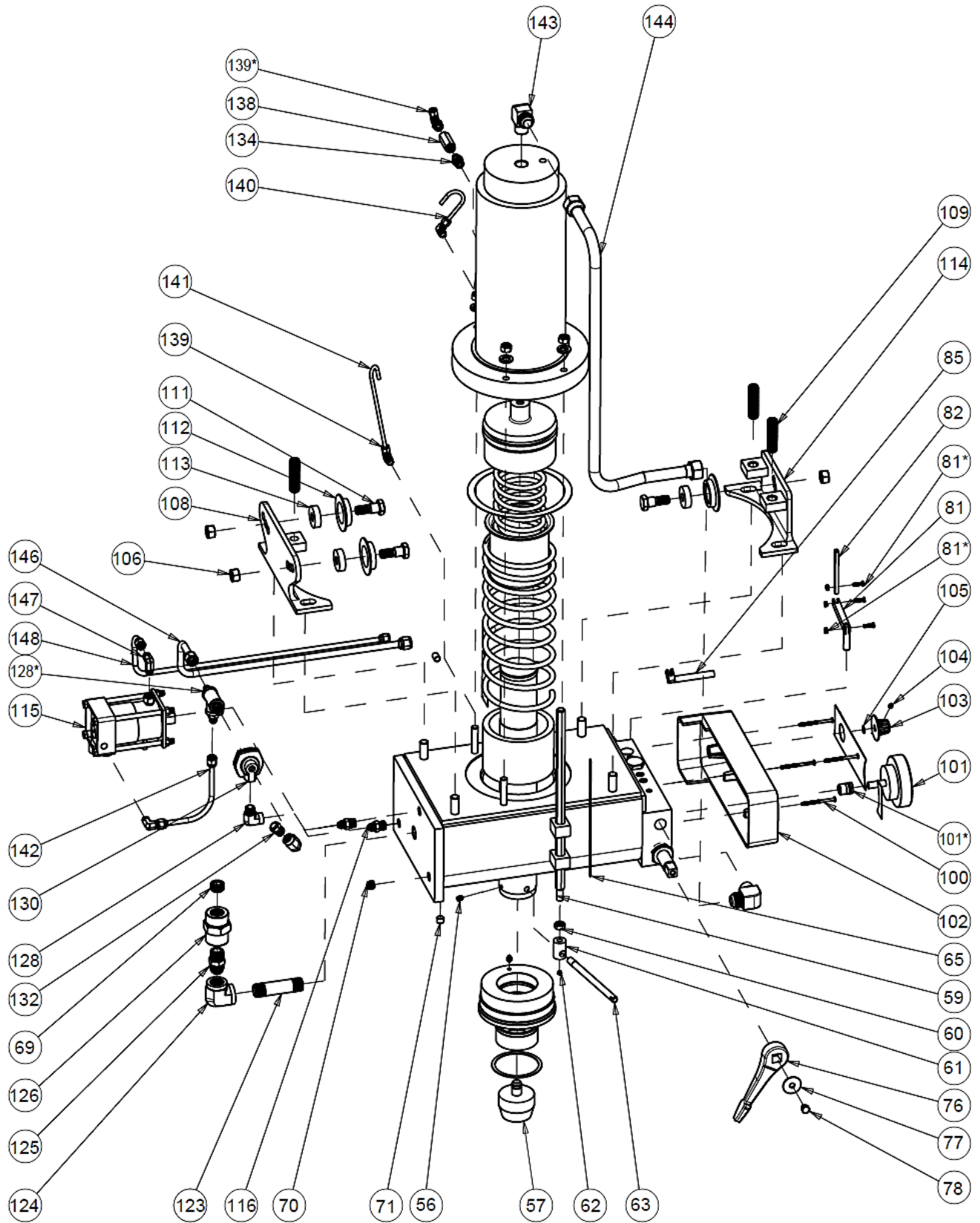


| <u>Item</u> | <u>Part Description</u> | <u>Part No.</u> | <u>Qty</u> |
|-------------|--|-----------------|------------|
| 37 | Hex Nut (1/2"-13) | 43916 | 4 |
| 39 | Cylinder Gasket | 9777 | 1 |
| 45 | Packing Ring | 17878 | 1 |
| 46 | Cylinder | 4101P | 1 |
| 47 | Piston Assembly – Serial No. > 192552 | 716226 | 1 |
| 48 | Ram Spring (Small) | 4107 | 1 |
| 49 | Spring Spacer | 4108 | 1 |
| 50 | Ram Spring (Large) | 4106 | 1 |
| 51 | Wear Ring | 76806 | 1 |
| 52 | Oil Seal | 6020 | 1 |
| 55 | Self-Tapping Screw (#10-24 x 3/8") (Not Shown) | 43881 | 4 |
| 66 | Reservoir Assembly | 716784 | 1 |
| 67 | Pipe Plug | 589 | 1 |
| - | Piston Guide | 87109 | 1 |
| - | Cylinder Repair Kit (Items 39, 45, 52, 53, 72, 74, 89, 93, & 97) | 713054 | - |



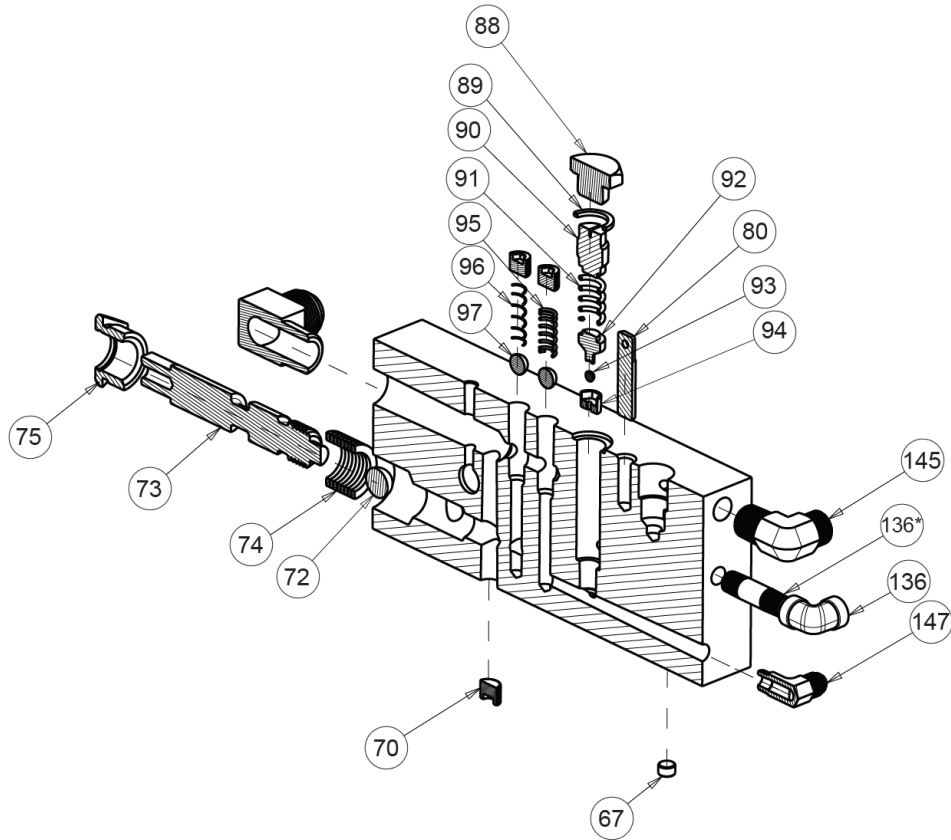
* For presses with serial numbers lower than 192522 or made before 1992 refer to this exploded view and parts list for accurate part information. All other parts that are not listed below are the same for all the 50 ton Air Presses and can be found in this manual. *

| <u>Item</u> | <u>Part Description</u> | <u>Part No.</u> | <u>Qty</u> |
|-------------|-----------------------------------|-----------------|------------|
| 40 | Soc. Cap Screw (1/2"-13 x 1-1/2") | 43471 | 1 |
| 41 | Piston Bumper | 2221 | 1 |
| 42 | Hex Cap Screw (1/4"-20 x 1") | 43330 | 4 |
| 43 | Lock Washer (1/4") | 43645 | 4 |
| 44 | Supporting Ring | 4110 | 1 |
| 45 | Leather Cup | 557 | 1 |
| 47 | Piston Assembly (old) | 701402 | 1 |
| 51 | Piston Bushing | 4111 | 1 |



| <u>Item</u> | <u>Part Description</u> | <u>Part No.</u> | <u>Qty</u> |
|-------------|---|-----------------|------------|
| 56 | Set Screw (5/16") | 43575 | 1 |
| 57 | Nose Piece | 701707 | 1 |
| 58 | V-Nose Piece (Not Shown) | 701711 | 1 |
| 59 | Stroke Indicator Rod | 2260 | 1 |
| 60 | Hex Jam Nut (1/2"-13) | 43940 | 1 |
| 61 | Stroke Indicator Special Nut | 2259 | 1 |
| 62 | Socket Cap Screw (1/4"-20 x 1/4") | 43558 | 1 |
| 63 | Stroke Indicator Support Stud | 2258 | 1 |
| 64 | Drive Screw for Scale | 43616 | 3 |
| 65 | Stroke Indicator Scale | 2261 | 1 |
| 69 | Pipe Plug (3/4" NPTF) | 1745 | 1 |
| 70 | Pipe Plug (3/8" NPTF) | 588 | 4 |
| 71 | Pipe Plug (1/4" NPTF) | 5167 | 1 |
| 76 | Release Valve Handle | 2230A | 1 |
| 77 | Spindle Washer (1-1/2" OD x .4" ID x 1/16") | 348 | 1 |
| 78 | Hex Cap Screw (3/8"-16 x 3/4") | 43326 | 1 |
| 81 | Air Control Arm | 6153 | 1 |
| 81* | Slotted Screw (#10-24 x 3/4") | 43849 | 3 |
| 81* | Locknut (#10-24) | 44350 | 1 |
| 82 | Air Control Link | 6154 | 1 |
| 85 | Air Control Shaft | 6156 | 1 |
| 100 | Machine Screw (#10-24 x 2-3/4") | 300248 | 4 |
| 101 | Gauge | 71271 | 1 |
| 101* | Special Gauge Bushing | 81384 | |
| 102 | Control Panel | 80743 | 1 |
| - | Control Panel Decal | 6446 | 1 |
| 103 | Control Knob | 2250A | 1 |
| 104 | Socket Head Screw (1/4"-20 x 1/2") | 43562 | 1 |
| 105 | Base Angle Washer (1/2") | 43634 | 1 |
| 106 | Hex Nut (Heavy 5/8"-11) | 43917 | 7 |
| 108 | Rear Roller Bracket | 9472 | 1 |
| 109 | Set Screw (3/4"-10 x 3") | 43616 | 3 |
| 111 | Roller Screw | 1297A | 3 |
| 112 | Flanged Roller | 2244 | 3 |
| 113 | Ball Bearing | 6023 | 3 |
| 114 | Front Roller Bracket | 9473 | 1 |
| 115 | Air Driven Pump | 63453 | 1 |
| 116 | Pipe Fitting (3/8") | 58226 | 5 |
| 123 | Pipe Nipple (3/4" x 4") | 1818 | 1 |
| 124 | Pipe Elbow (3/4") | 74017 | 1 |
| 125 | Pipe Nipple (3/4" x 2") | 58227 | 1 |
| 126 | Pipe Coupling (3/4") | 302273 | 1 |
| 128 | Street Elbow (3/8") | 1264 | 2 |
| 128* | Pipe Tee | 1333 | 1 |
| 130 | Quick Exhaust | 1911 | 1 |
| 132 | Breather Vent | 7368 | 1 |
| 134 | Pipe Bushing (1/4" x 1/8") | 1100 | 1 |
| 138 | Check Valve (1/4" NPT) | 1841 | 1 |
| 139 | Tube Fitting (1/4" x 1/8" NPTF) | 19576 | 3 |
| 139* | Pipe Reducer Bushing | 1102 | 1 |
| 140 | Air Vent | 632 | 1 |
| 141 | Tubing | 7681 | 1 |
| 142 | Tube Assembly includes 139 | 7684 | 1 |
| 143 | Tube Elbow (7/8" x 3/4" NPTF) | 1944 | 2 |
| 144 | Tube Assembly | 701720 | 1 |
| 146 | Tube Assembly | 701723 | 1 |
| 147 | Tube Elbow (3/8" x 1/4" NPTF) | 1248 | 3 |
| 148 | Tube Assembly (3/8") | 701725 | 1 |
| - | Haskel Pump Repair Kit | 703034 | - |

CONTROL BLOCK ASSEMBLY



| <u>Item</u> | <u>Part Description</u> | <u>Part No.</u> | <u>Qty</u> |
|-------------|------------------------------|-----------------|------------|
| 67 | Pipe Plug (1/8") | 589 | 1 |
| 70 | Pipe Plug (3/8") | 588 | 4 |
| 72 | Ball Valve (Ø 3/4") | 1936 | 1 |
| 73 | Release Valve Rod | 2257 | 1 |
| 74 | Valve Packing Washer | 1937 | 8 |
| 75 | Valve Rod Packing Nut | 1931 | 1 |
| 79 | Plunger Unit (Not Shown) | 6151 | 1 |
| 80 | Pivot Pin | 6152 | 1 |
| 88 | Valve Cap Nut | 2236 | 1 |
| 89 | O-Ring | 3965 | 1 |
| 90 | Relief Valve Adjusting Screw | 2237 | 1 |
| 91 | Relief Valve Spring | 893 | 1 |
| 92 | Ball Retainer | 892 | 1 |
| 93 | Ball Valve (Ø 1/4") | 918 | 1 |
| 94 | Relief Valve Seat | 891 | 1 |
| 95 | Check Valve Spring | 579 | 1 |
| 96 | Check Valve Spring | 890 | 1 |
| 97 | Ball Valve (Ø 1/2") | 586 | 2 |
| 136 | Pipe Elbow | 1099 | 1 |
| 136* | Pipe Nipple | 44157 | 1 |
| 145 | Tube Elbow | 1252 | 1 |
| 147 | Tube Elbow (3/8") | 1248 | 3 |

Additional parts used with double pump presses not illustrated:

| <u>Item</u> | <u>Part Description</u> | <u>Model 6-450</u> | <u>Qty</u> |
|-------------|-------------------------|--------------------|------------|
| 115 | Pump | 63453 | 1 |
| 139 | Tube Fitting | 597 | 5 |
| 149 | Tube Tee | 1249 | 1 |
| 150 | Tube Tee | 7693 | 1 |
| 151 | Tube Assembly | 701727 | 1 |
| 152 | Straight Fitting | 1251 | 1 |
| 153 | Tube Assembly | 701729 | 1 |
| 154 | Straight Fitting | 1247 | 1 |
| 155 | Tube Assembly | 701730 | 1 |

Please contact factory for current prices.

ORDERING INFORMATION

Parts are available for direct purchase from Dake or through a distributor. When placing a parts order, you will need to provide the part number, name of part, and model number. All parts shipped F.O.B. Factory in Grand Haven, MI.