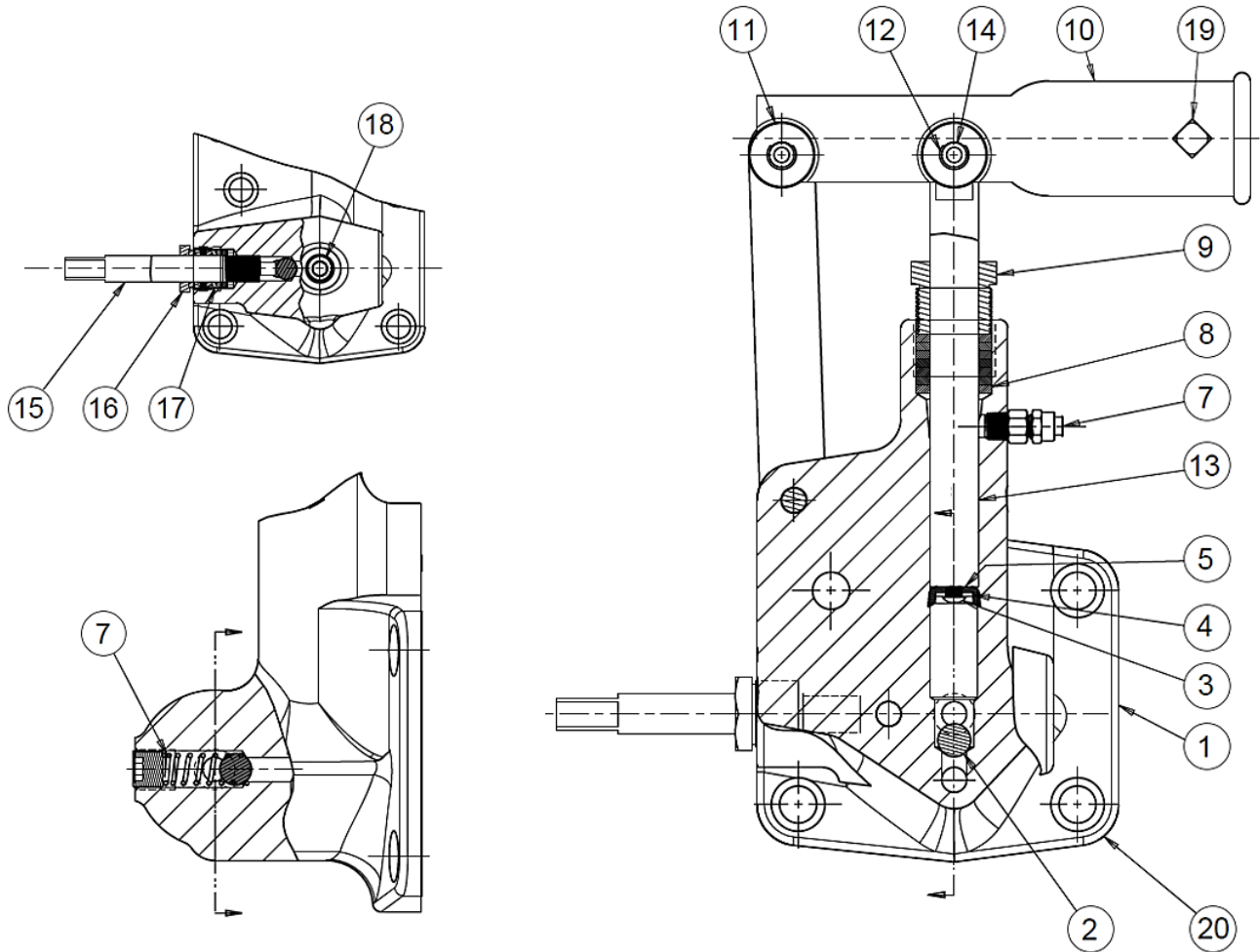


EXPLODED VIEWS & PARTS LISTS

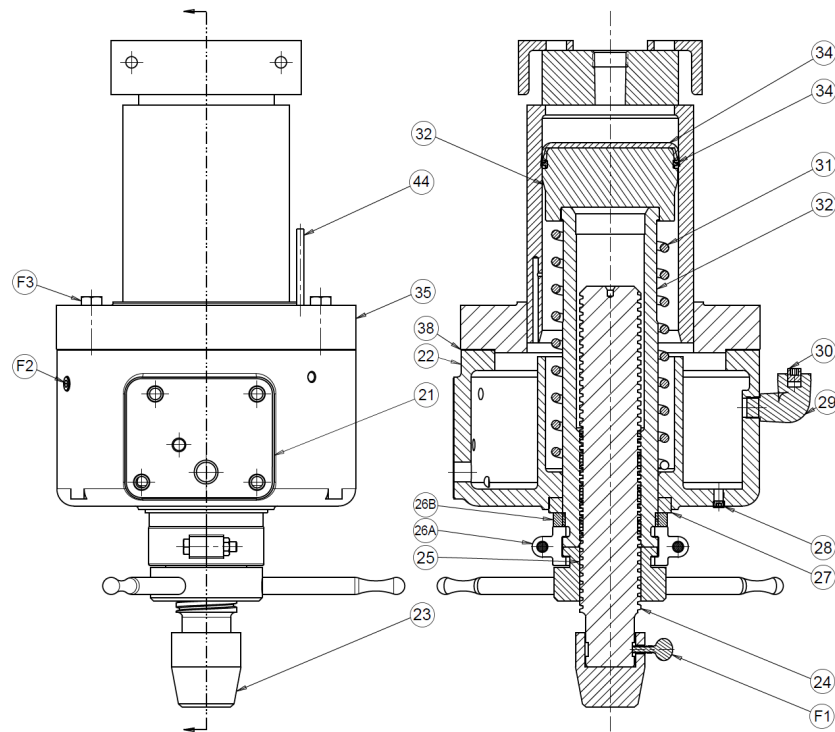
HAND PUMP ASSEMBLY



Item No.	Part Name	Part No.	Qty
1	Pump Body	546	1
2	Ball Valve (Ø1/2")	586	3
3	Hex Cap Screw (1/4"-20 x 1/2" Nylock)	28297	1
4	Washer (#12 Flat)	43629	1
5	Pump Plunger Leather	599	1
6	Check Valve Spring	579	1
7	Tube Fitting	71413	1
8	Pump Packing	573	7
9	Pump Packing Nut	551A	1
10	Handle Socket	550	1
11	Handle Socket Link	555	1

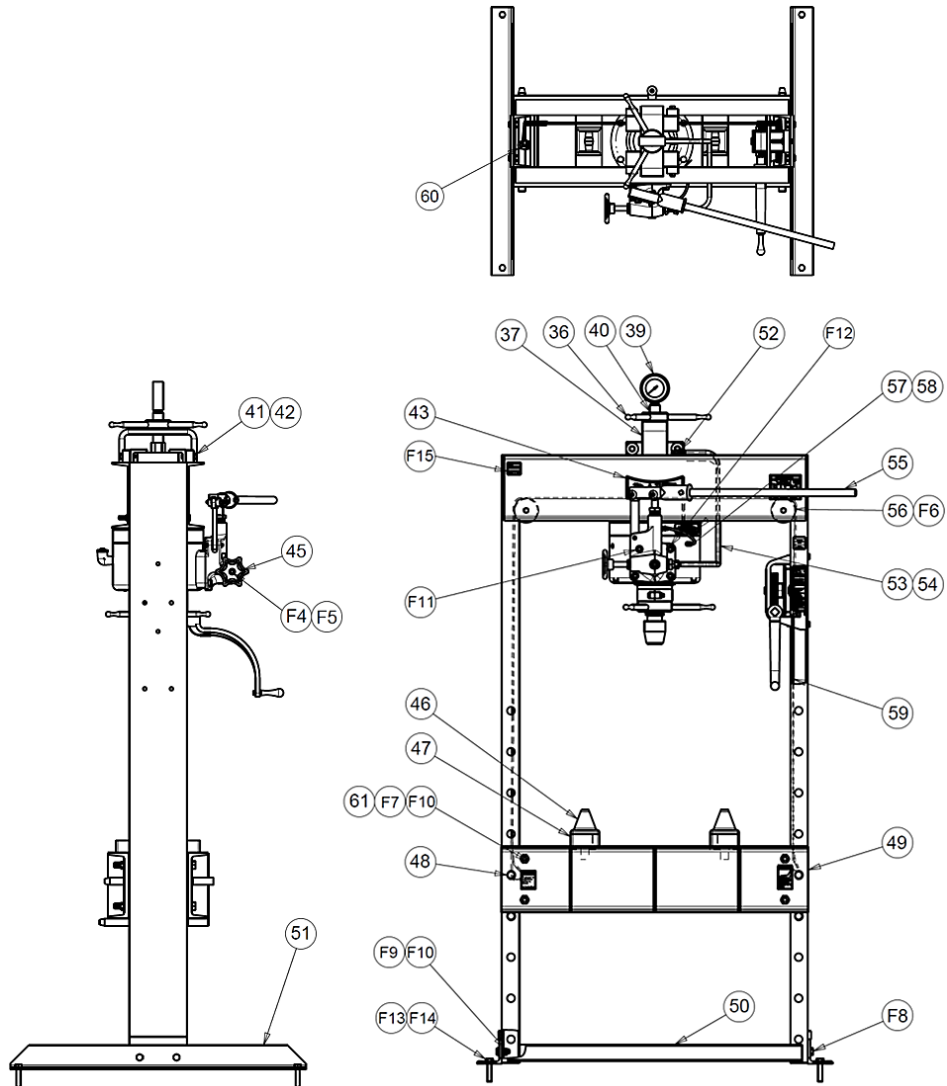
Item No.	Part Name	Part No.	Qty
12	Retaining Ring (3/8")	43972	6
13	Pump Plunger	554	1
14	Handle Socket Pin	594	3
15	Valve Rod	1129	1
16	Valve Rod Packing Nut	576	1
17	Valve Rod Packing	987	8
18	Pipe Plug (3/8")	588	1
19	Set Screw (3/8"-16 x 5/8")	43589	1
20	Pump Gasket	591	1
Hand Pump Complete Assembly		700887	-
Repair Kit- Cylinder & Hand Pump Assembly (Items: 5, 8, 17, 20, 26B, 27, 34, 38)		701291	-

WORKHEAD ASSEMBLY



Item	Part Name	Part No.	Qty	Item	Part Name	Part No.	Qty
21	Pump Gasket	591	1	32	Piston Assembly (Serial No. > 192523)	716222	1
22	Reservoir	540	1	34	Piston Leather (Serial No. < 192522)	557	1
23	Screw Nose – Flat	572	1	34	Packing Ring (Serial No. > 192523)	17878	1
	Screw Nose – V-Ram	344	1	35	Cylinder	536	1
24	Screw – 50H	559	1	38	Cylinder Gasket	1268	1
25	Handwheel	716519	1	44	Air Vent Tube (1/4" x 3")	632	1
26A	Clamp Ring Assembly	717	1	F1	Thumb Screw	43618	1
26B	Piston Bumper	605	1	F2	Pipe Plug (1/4" NPTF)	1567	1
27	Oil Seal	1267	1	F3	Hex Head Cap Screw (1/2"-13 x 2-1/4")	43352	4
28	Pipe Plug (1/8" NPTF)	589	1	F4/F5	Pipe Plug (1/4") NPTF	1567	1
29	Elbow Pipe Plug	45388	1	F5/F4	Hex Nut (3/8"-16)	43912	2
30	Pipe Plug (1/2" NPTF)	596	1	F6/56	Hex Cap Screw (2-3/4 x 3/8"-16)	43335	2
31	Ram Spring	556	1		Complete Workhead Assembly	907007	
32	Piston Assembly (Serial No. < 192522)	701801	1		Repair Kit – Cylinder & Hand Pump Assembly (Items: 5, 8, 17, 20, 26B, 27, 34, 38)	701291	

GENERAL ASSEMBLY



GENERAL ASSEMBLY PARTS LIST

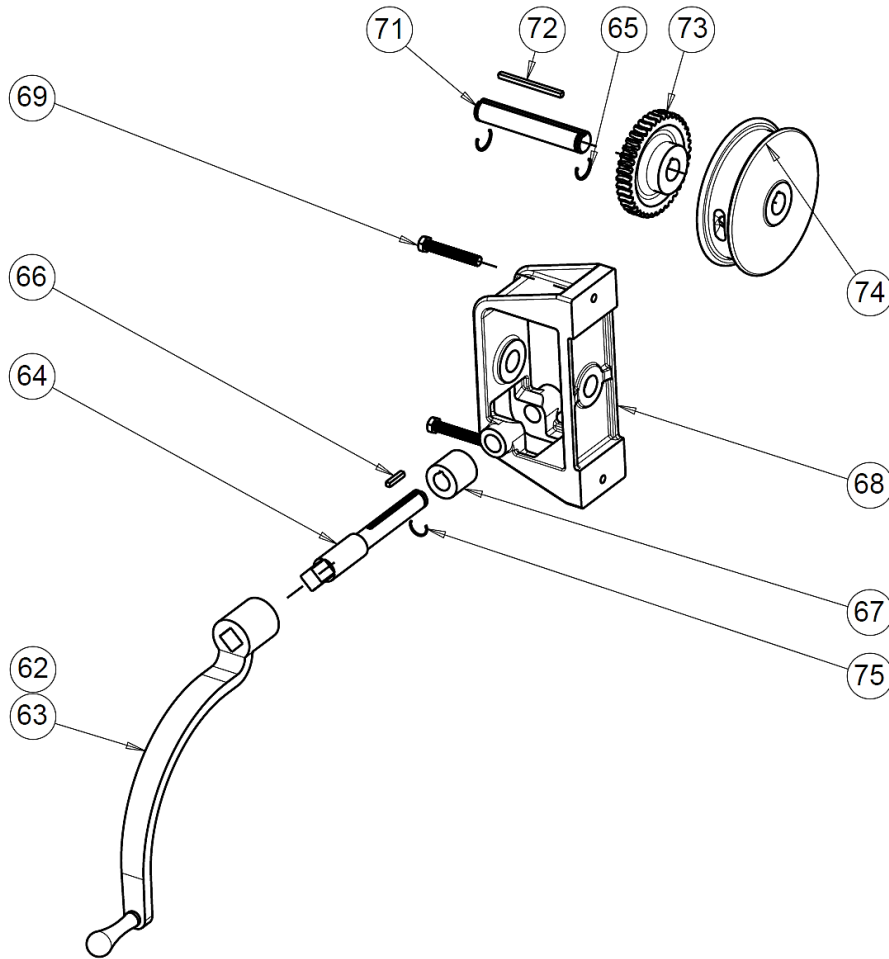
Item No.	Part Name	Part No.	Qty
36	Screw Adjusting Wheel	716521	1
37	Yoke	593	1
39	Gauge	71266	1
	Bushing	81384	1
40	Gauge Extension	731	1
41	Roller	592	4
42	Roller Screw	595	4
43	Dake Name Plate	81002	1

Item No.	Part Name	Part No.	Qty
56	Pulley	602	2
	Pulley Bolt	43342	2
	Hex Nut (3/8"-16)	43912	2
57	Vent Tube	67761	1
58	1/8" NPT Fitting	71413	2
59	Cable	580	1
60	Cable Clamps	991	4
61	Table Spacer	716692	4

45	Handwheel	10631	1
46	V-Block	336	2
47	Table Plate	545	2
48	Table Pins	569	4
48A	Safety Pin	302816	4
49	Table Channel	701091	2
50	Frame only	700116	1
51	Base Angle	566	2
52	3/8" NPT 37° Fitting	1251	2
53	Fitting Nut	46614	2
	Fitting Sleeve	51454	2
54	Tube Assembly (Includes 53 & 54)	700117	1
55	Handle	218	1

F4	Flat Washer (1/4")	43631	1
F5	Bolt (1/4"-20 x 1/2")	43301	1
F6	Pulley Lock Washer (3/8")	43645	2
F7	Bolt (5/8"-11 x 9-1/2")	79981	4
F8	Hex Cap Screw (1/2"-13 x 1-1/4")	43348	4
F9	Lock Washer (1/2")	43647	4
F10	Hex Nut (1/2"-13)	43916	8
F11	Socket Cap Screw (1/2"-14 x 2-1/2")	24561	1
F12	Socket Cap Screw (1/2"-13 1-1/4')	43470	3
F13	Washer (1/2")	43634	4
F14	Lag Screw	72355	4
F15	Label – Made in USA	76936	1

TABLE HOIST ASSEMBLY



Item No.	Part Name	Part No.	Qty
56	Hex Nut (3/8"-16) (Not Shown)	43912	2
62	Hand Crank Assembly	701653	1
63			
64	Worm Shaft	384	1
65	Retaining Ring	27437	2
66	Worm Key	47364	1
67	Worm	385	1
68	Hoist Frame	725	1

Item No.	Part Name	Part No.	Qty
69	Hex Cap Screw (3/8"-16 x 2-3/4")	43335	2
71	Drum Shaft	724	1
72	Drum Key	737	1
73	Worm Gear	736	1
74	Cable Drum	723	1
75	Retaining Ring	43992	1
	Complete Table Hoist Assembly - Includes Crank	700112	-

Please contact factory for current prices.

ORDERING INFORMATION



Dake Corporation
1809 Industrial Park Dr
Grand Haven, MI 49417
www.dakecorp.com

Parts are available for direct purchase from Dake or through a distributor. When placing a parts order, you will need to provide the part number, name of part, and model number. All parts shipped F.O.B. Factory in Grand Haven, MI.