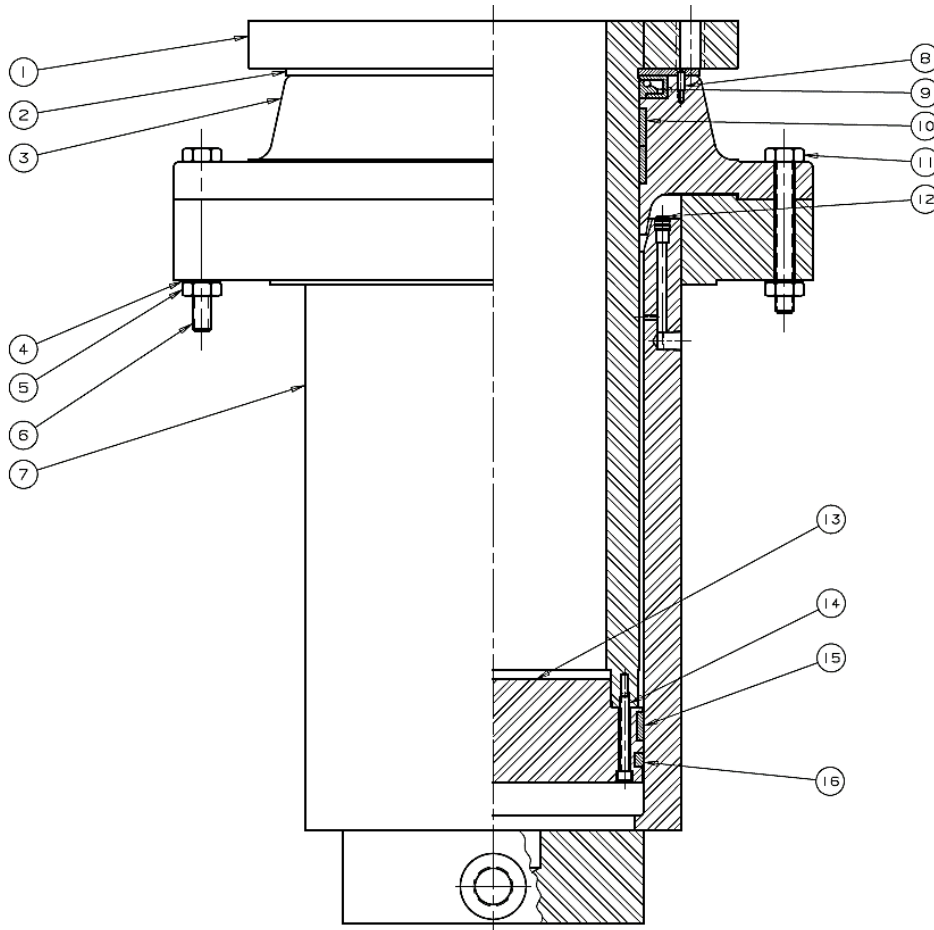


PARTS LISTS

MAIN ASSEMBLY		
Qty	Part No.	Description
1	75151	Connector, Cord
1	63565	Decal, Tire Press
1	710458	Frame Assembly
1	300168	Ganged Warning Label
3	66243	Heater Overload – Voltage Specific
1	710459	Hydraulic Control Assembly
1	710444	Hydraulic Pumping Unit
1	84487	Label, Caution
1	84395	Label, Danger
1	76462	Label, Lockout Procedure
1	76936	Label, Made In U.S.A.
1	84399	Label, Warning
1	57794	Legend Plate
1	35941	Limit Switch Assembly, Micro
1	46743	Limit Switch Lever, Micro
3	43643	Lock Washer (1/4")
1	75257	Locknut, Conduit, 1/2 In.
1	44066	Pipe, Reducer Bushing
1	76868	Pushbutton Unit, AB
3	43301	Screw (1/4-20 x 1/2)
1	77353	Starter Enclosure – Voltage Specific 220V
1	77354	Starter Enclosure – Voltage Specific 440V
1	79956	Tag, No Oil in Reservoir
6	43647	Washer, Lock (1/2")
1	707070	Workhead
2	1551P	Base Angle
19'	45930	Cable (1/4")
4	583	Clamp, Cable (1/4")
1	36863	Decal, Tire Press
1	47411P	Frame
1	61063L	Guide Angle - Left
1	61063R	Guide angle - Right
2	1812P	Head Channel
1	701653	Hoist Crank Assembly
1	607	Label, Model Number
1	81003	Name Plate, Dake
2	43916	Nut, Hex (1/2-13)
8	43919	Nut, Hex (3/4-10)
8	43917	Nut, Hex (5/8-11)
6	77271	Pin, Spring (3/8" Dia. x 2-1/2")
6	7205P	Pin, Table
1	1798P	Platen, Lower
1	1813P	Platen, Upper
2	1563P	Pulley
2	1809P	Pulley Cable
6	43978	Ring, Retaining (3/4" Shaft Size)

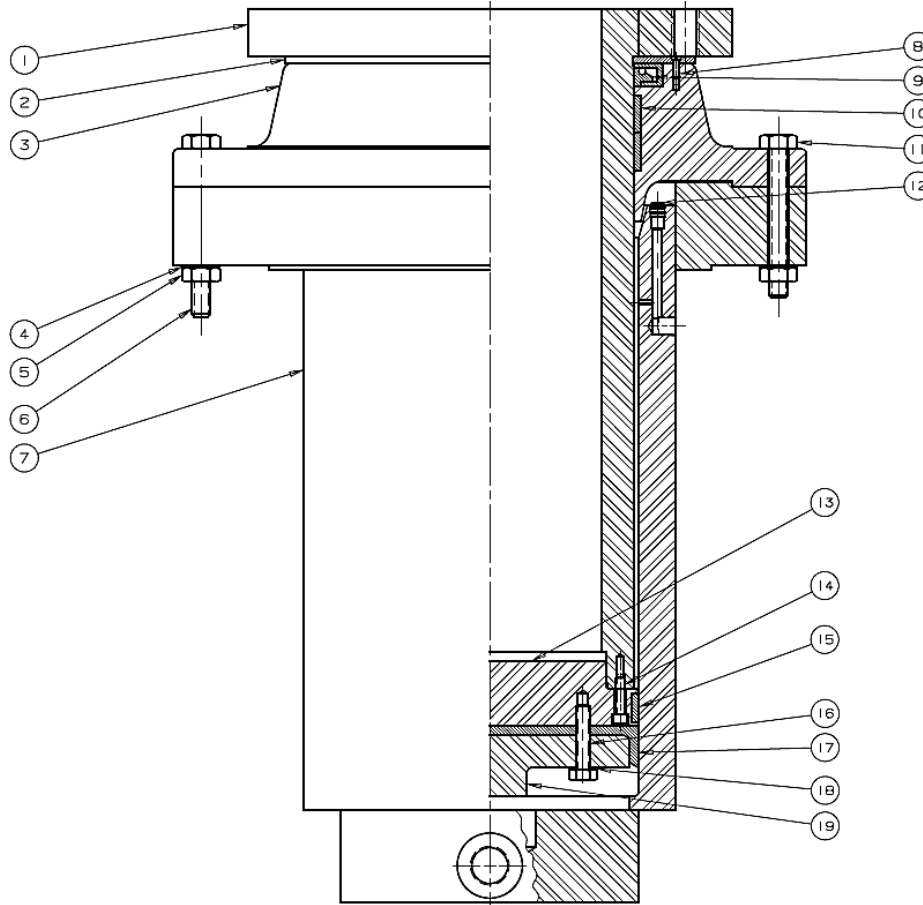
MAIN ASSEMBLY		
Qty	Part No.	Description
6	302816	Safety Pin
4	43365	Screw (5/8-11 x 1-3/4)
6	70277	Screw, Drive (#4 x 5/16")
2	43349	Screw, Hex Cap (1/2-13 x 1-1/2)
4	43373	Screw, Hex Cap (3/4-10 x 2)
4	43326	Screw, Hex Cap (3/8-16 x 3/4)
8	43348	Screw, Machine (1/2-13 x 1-1/4)
4	24569	Screw, Soc Cap (3/4-10 x 3-1/4)
1	1810P	Shaft, Cable Pulley
2	1811P	Shaft, Cable Pulley
4	1819P	Stop Block
1	700111-S	Table Hoist Sub Assembly
4	1553P	Table Spacer
4	1553P	Table Spacer
10	43647	Washer, Lock (1/2")
12	43649	Washer, Lock (3/4")
4	43645	Washer, Lock (3/8")
4	43648	Washer, Lock (5/8")

710444 HYDRAULIC PUMPING UNIT		
Qty	Part No.	Description
1	588	Pipe Plug (3/8 NPTF)
2	1567	Pipe Plug (1/4 NPTF)
1	1745	Pipe Plug (3/4 NPTF)
4	2248	Washer, Neoprene
1	23764	Fitting, Tube, 37 Deg. (Straight Thd Straight O-Ring, SAE 6-8)
1	29571	Filter Breather
1	29650	Valve, Relief
1	36509AP	Pump & Motor Base
4	43314	Screw, Hex Cap (5/16-18 x 3/4)
4	43315	Screw (5/16-18 x 1)
4	43330	Screw, Hex Cap (3/8-16 x 1-1/4)
8	43644	Washer, Lock (5/16")
4	43645	Washer, Lock (3/8")
4	43846	Screw (#10-24 x 3/8)
1	47343P	Reservoir
1	53721	Pipe, Cross,
2	58227	Fitting, Pipe, Straight (3/4" Male Pipe Nipple with Hex)
1	72052	Fitting, Tube, 37 Deg. (90 Deg. Elbow, 1/2 x 3/4 NPTF)
1	73458	Fitting, Tube, 37 Deg. (Straight Thd Elbow SAE O-Ring 8-12)
1	301756	Pump
1	301757	Adapter, Pump to Motor
1	301762	Coupling Assembly
1	301800	Motor
1	712016	Tube Assembly – Intake Line
1	712017	Tube Assembly – Pump to Relief Valve
-	710444	Hydraulic Pumping Unit (Includes all items in table)



707070A Workhead Assembly – New Style

Item	Part No.	Description	Qty
1	1796P	Piston	1
2	52478P	Retainer	3
3	31871	Guide, Piston	1
4	43647	Washer, Lock (1/2")	10
5	43419	Screw, Soc Cap (1/4-20 x 2)	4
6	43359	Screw, Hex Cap (1/2-13 x 4-1/2)	4
7	1793P	Cylinder	1
8	43817	Screw, Fl. Hd. Slot Mach. (#10-24 x 1/2)	3
9	1871	Oil Seal,	1
10	31400	Wear Ring	2
11	43358	Screw, Hex Cap (1/2-13 x 4)	6
12	589	Pipe Plug (1/8 NPTF)	2
13	87611P	Piston Cap	1
14	43916	Hex Nut, (1/2-13)	10
15	31399	Wear Ring	1
16	37052	1-T-ring, 2-backers	1
-	707070A	Workhead Assembly (Includes Items: 1-3, 5-16)	-
-	703922	Workhead Repair Kit (For 707070 & 707070A) Includes Items : 9, 10, 15 & 16.	-



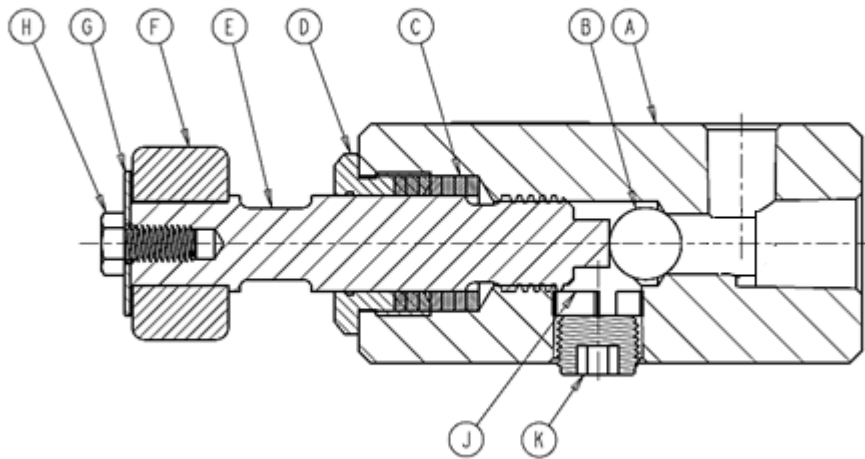
707070 Workhead Assembly – Old Style

<u>Item</u>	<u>Part No.</u>	<u>Description</u>	<u>Qty</u>
1	1796P	Piston	1
2	52478P	Retainer	3
3	31871	Guide, Piston	1
4	43647	Washer, Lock (1/2")	10
5	43916	Screw, Soc Cap (1/4-20 x 2)	10
6	43359	Screw, Hex Cap (1/2-13 x 4-1/2)	4
7	1793P	Cylinder	1
8	43817	Screw, Fl. Hd. Slot Mach. (#10-24 x 1/2)	3
9	1871	Oil Seal,	1
10	31400	Wear Ring	2
11	43358	Screw, Hex Cap (1/2-13 x 4)	6
12	589	Pipe Plug (1/8 NPTF)	2
13	30425P	Piston Cap	1
14	43417	Screw, Soc Cap (1/4-20 x 1-1/2)	4
15	31399	Wear Ring	1
16	43332	Screw (3/8-16 x 1-3/4)	8
17	1538	Piston Leather	1
18	43645	Washer, Lock (3/8")	8
19	1536	Ring, Supporting	1
N/A	1567	Pipe Plug (1/4 NPTF)	2
-	707070	Workhead Assembly (Includes all items above)	-
-	703922	Workhead Repair Kit (For 707070 & 707070A) Includes Items : 9, 10, 15 & 17.	-

710459 HYDRUALIC CONTROL ASSEMBLY

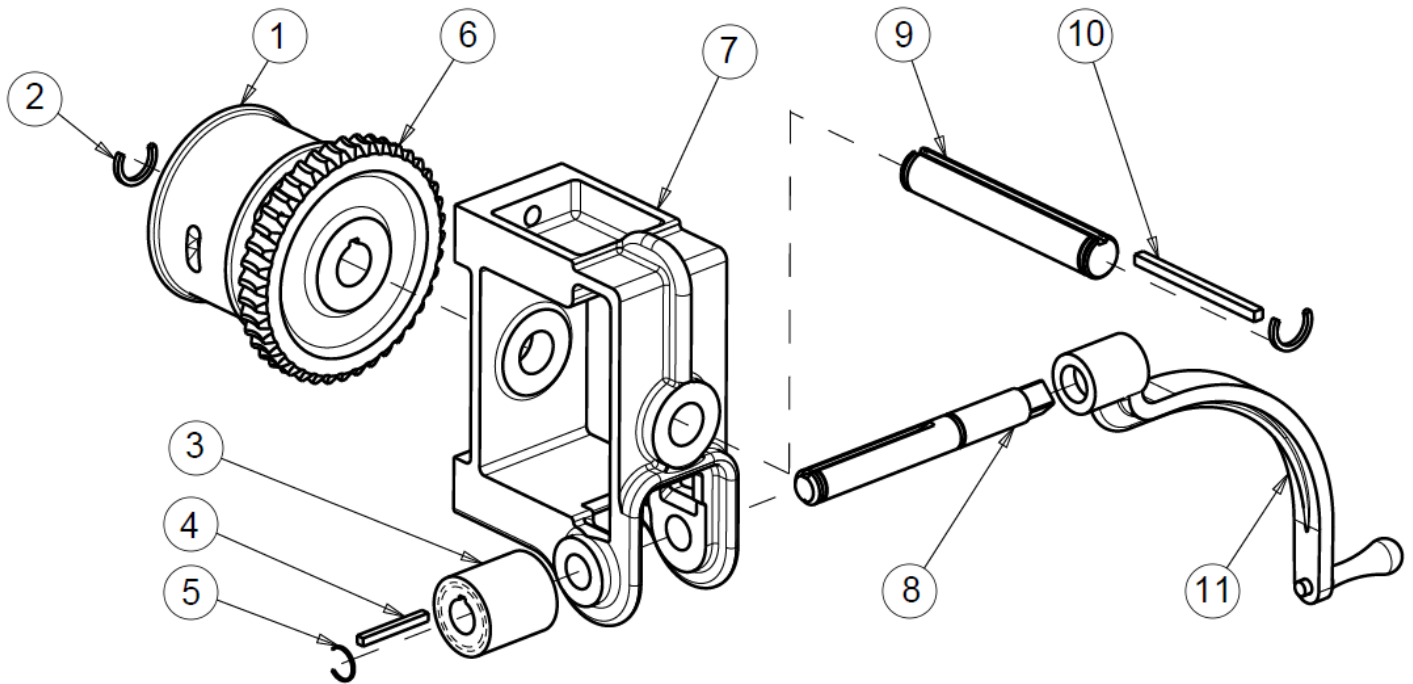
<u>Qty</u>	<u>Part No.</u>	<u>Description</u>
1	71268	Gauge
1	710557	Release Valve Assembly
1	47947P	Release Valve Rod Stop
1	43334	Screw, Hex Cap (3/8-16 x 2-1/4)
1	47948P	Spacer Release Valve
1	712019	Tube Assembly – Release Valve to Reservoir
1	712020	Tube Assembly - Bypass
1	712018	Tube Assembly – Relief Valve to Release Valve
1	707474	Tube Assembly – Release Valve to Cylinder
2	43645	Washer, Lock (3/8")

710557 RELEASE VALVE ASSEMBLY



<u>Item</u>	<u>Part No.</u>	<u>Qty</u>	<u>Description</u>
A	1752P	1	Release Valve Block
B	1936	1	Valve, Ball
C	1937	8	Washer, Valve Rod Packing
D	1931P	1	Packing Nut
E	47946P	1	Release Valve Rod
F	2230A	1	Handle, Release Valve
G	348	1	Spindle Washer (1-1/2" OD x .40" ID x 1/16 Thick)
H	43326	1	Hex Cap Screw (3/8-16 x 3/4)
J	1935	1	Ball, Retainer
K	596	1	Pipe Plug (1/2 NPTF)

700111-S TABLE HOIST



<u>Item</u>	<u>Part No.</u>	<u>Description</u>	<u>Qty</u>
1	740	Cable Drum	1
2	43983	Ring, Retaining (1-1/4" Shaft Size)	2
3	744	Worm,	1
4	746	Worm Shaft Key (1/4 x 1/4 x 3-7/16)	1
5	43982	Ring, Retaining (1" Shaft Size)	2
6	743	Gear, Worm	1
7	739	Hoist Frame	1
8	742	Worm Shaft	1
9	741	Drum Shaft	1
10	745	Drum Shaft Key (5/16 x 5/16 x 4)	1
11	701653	Ratchet Handle Assembly	1
N/A	45954	Cable, 1/4 Dia.	19ft
-	700111-S	Hoist Assembly (Parts 1-10)	-

ORDERING INFORMATION

Please contact factory for current prices.

Parts are available for direct purchase from Dake or through a distributor. When placing a parts order, you will need to provide the part number, name of part, and model number. All parts shipped F.O.B. Factory in Grand Haven, MI.