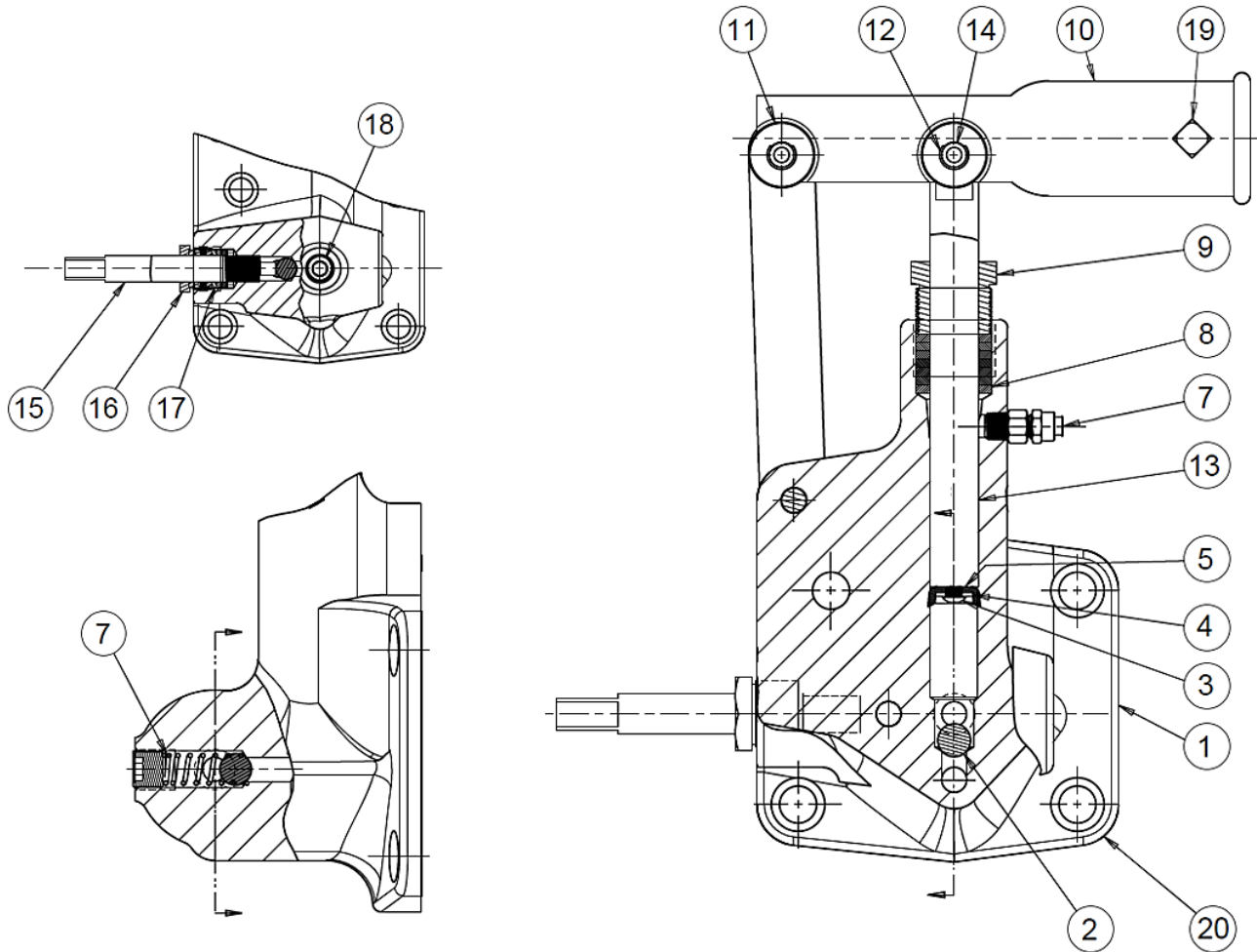


## EXPLODED VIEW & PARTS LIST

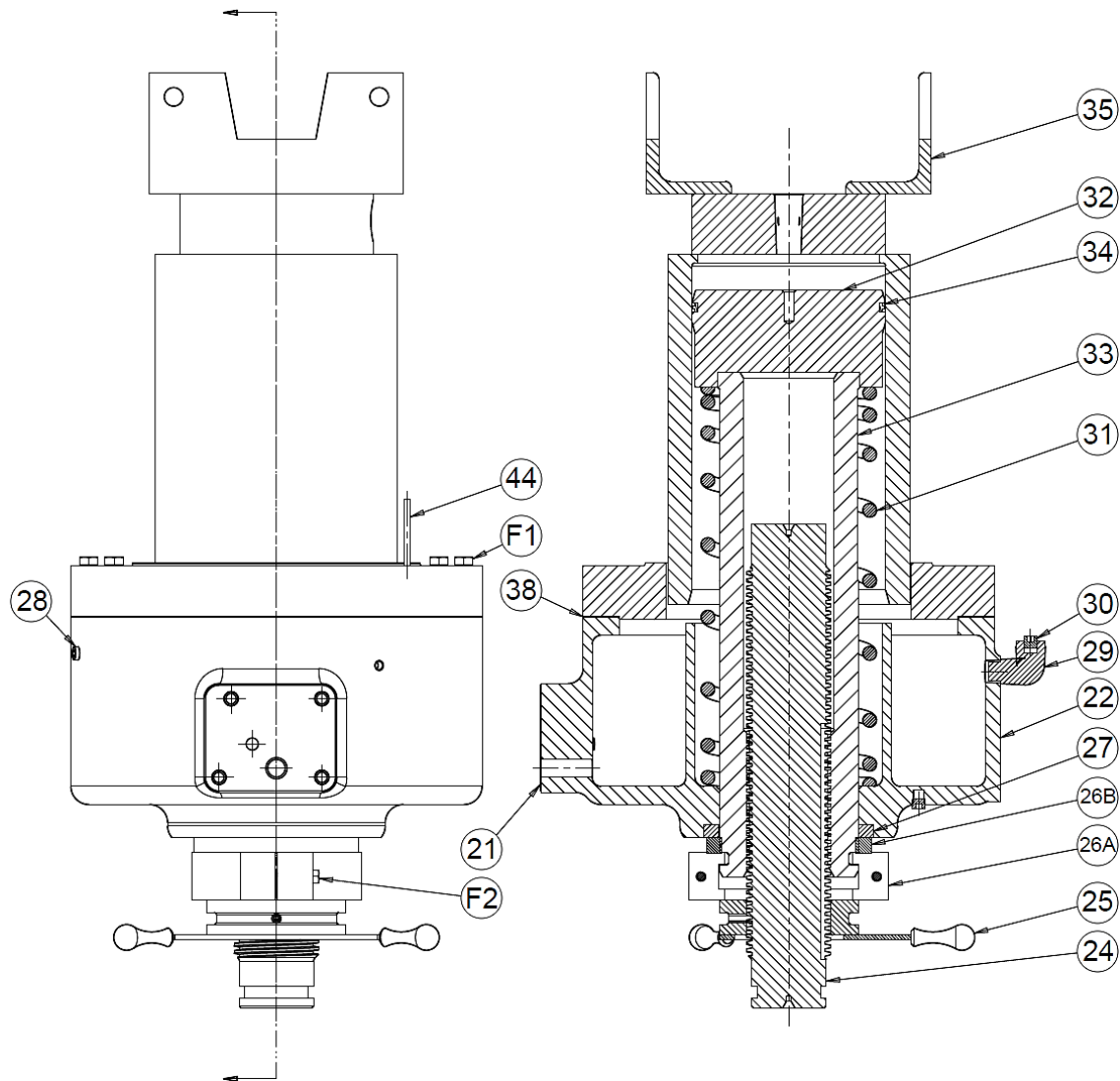
### HANDPUMP ASSEMBLY



Item No.	Part Name	Part No.	Qty
1	Pump Body	546	1
2	Ball Valve (Ø1/2")	586	3
3	Hex Cap Screw (1/4"-20 x 1/2" Nylock)	28297	1
4	Washer (#12 Flat)	43629	1
5	Pump Plunger Leather	599	1
6	Check Valve Spring	579	1
7	Tube Fitting	71413	1
8	Pump Packing	573	7
9	Pump Packing Nut	551A	1
10	Handle Socket	550	1
11	Handle Socket Link	555	1

Item No.	Part Name	Part No.	Qty
12	Retaining Ring (3/8")	43972	6
13	Pump Plunger	554	1
14	Handle Socket Pin	594	3
15	Valve Rod	1129	1
16	Valve Rod Packing Nut	576	1
17	Valve Rod Packing	987	8
18	Pipe Plug (3/8")	588	1
19	Set Screw (3/8"-16 x 5/8")	43589	1
20	Pump Gasket	591	1
	Hand Pump Complete Assembly	700887	-
	Repair Kit- Cylinder & Hand Pump Assembly (Items: 5, 8, 17, 20, 26B, 27, 34, 38)	701293	-

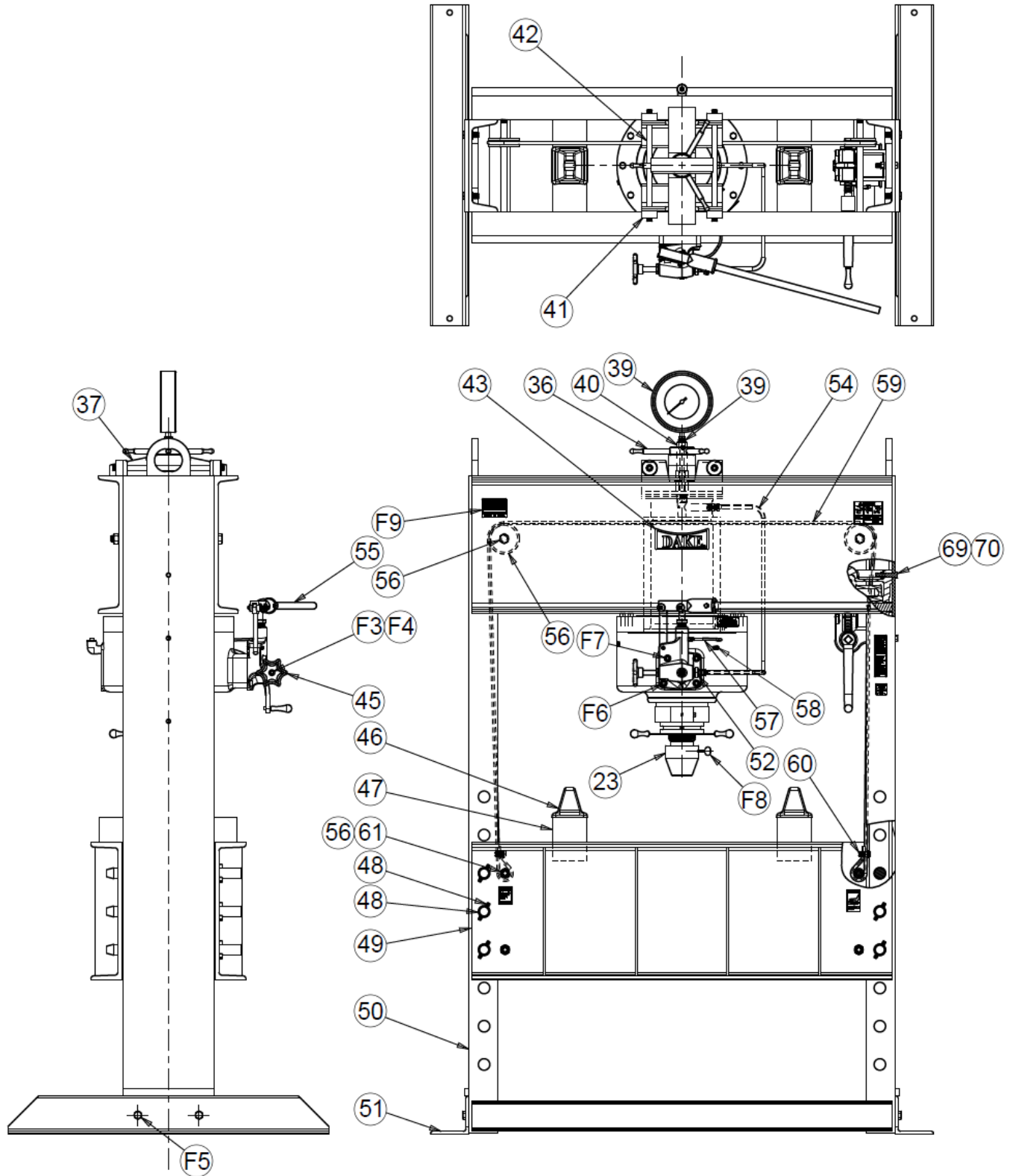
## WORKHEAD ASSEMBLY



Item No.	Part Name	Part No.	Qty
21	Pump Gasket	591	1
22	Reservoir	1532	1
24	Screw	2024	1
25	Handwheel	701760	1
26A	Clamp Ring Assembly	1557	1
26B	Piston Bumper	1574	1
27	Oil Seal	1578	1
28	Pipe Plug (1/4" NPTF)	1567	1
29	Elbow Pipe Plug (3/4")	1740	1
30	Pipe Plug (3/4" NPTF)	1745	1
31	Ram Spring	1537	1
32 & 33	Piston Assembly (Serial No. < 192522)	701803	1
	Piston Assembly (Serial No. > 192523)	716222	1

Item No.	Part Name	Part No.	Qty
34	Piston Leather (Serial No. < 192522)	1538	1
	Packing Ring (Serial No. > 192523)	37052	1
35	Cylinder	1528	1
38	Cylinder Gasket	1577	1
44	Air Vent Tube	632	
F1	Hex Cap Screw (1/2"-13 x 3")	43355	6
F2	Hex Cap Screw (3/8"-16 x 3")	43337	2
	Repair Kit – Cylinder & Hand Pump Assembly (Items: 5, 8, 17, 20, 26B, 27, 34, 38)	701293	-

**GENERAL ASSEMBLY**

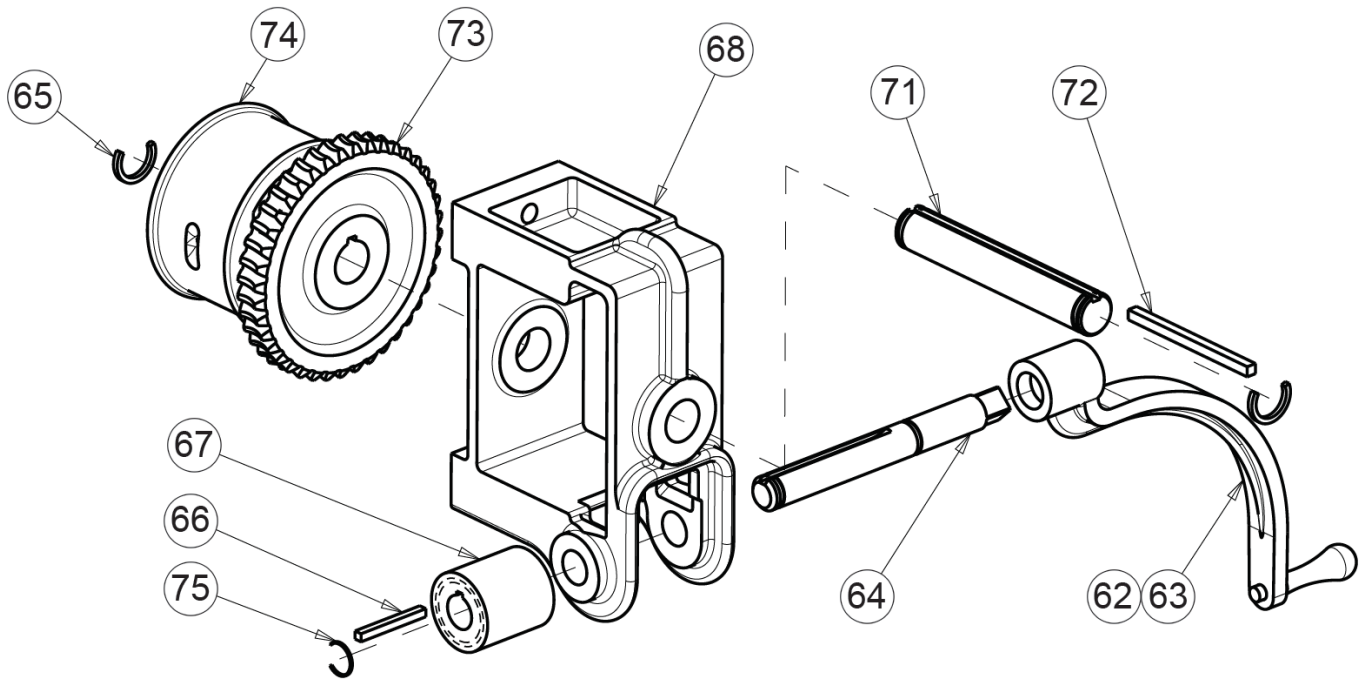


## GENERAL ASSEMBLY PARTS LIST

Item No.	Part Name	Part No.	Qty
23	Screw Nose – Flat	1560	1
	Screw Nose – V-ram	1575	1
36	Screw Adjusting Wheel	716521	1
37	Yoke	1569	1
39	Gauge	71268	1
	Bushing	81384	1
40	Gauge Extension	628	1
41	Roller	1568	4
42	Roller Shaft	1570	2
	Retaining Ring	43978	4
43	Dake Name Plate	81002	1
45	Handwheel	10631	1
46	V-Block	1576	2
47	Table Plate	1534	2
48	Table Pins	7205	6
	Roll Pins	77271	6
48A	Safety Pins	302816	6
49	Table Channel	701032	2
50	Frame	701030	1
51	Base Angle	1551	2
52	3/8" NPT 37° Fitting	1251	2
53	Fitting Nut	46614	2
	Fitting Sleeve	51454	2

Item No.	Part Name	Part No.	Qty
54	Tube Assembly (53 & 54)	700203	1
55	Handle	2022	1
56	Pulley	1563	2
	Pulley Bolt	43720	2
	Pulley Nut	43919	2
57	Vent Tube	67761	1
58	1/8" NPT Fitting	71413	2
59	Cable (19')	1562	1
60	Cable Clamp	583	4
61	Table Spacer	1553	4
F3	Flat Washer (1/4")	43631	1
F4	Screw (1/4"-20 x 1/2")	43301	1
F5	Screw (5/8"-11 x 3/4")	43365	4
	Lock Washer (5/8")	43648	4
	Hex Nut (3/8"-16)	43912	4
F6	Socket Cap Screw (1/2"-13 x 1-1/4")	43470	3
F7	Socket Cap Screw (1/2"-13 x 2-1/2")	24561	1
F8	Thumb Screw (3/8"-16 x 1-1/2")	43625	1
F9	Label – Made in USA	76936	1

## TABLE HOIST ASSEMBLY



Item No.	Part Name	Part No.	Qty
62	Hand Crank Assembly	701653	1
63			
64	Worm Shaft	742	1
65	Retaining Ring	43983	2
66	Worm Key	746	1
67	Worm	744	1
68	Hoist Frame	739	1
69	Hex Cap Screw (1/2"-13 x 2-1/2") Not Shown	43353	1

Item No.	Part Name	Part No.	Qty
70	Hex Nut (1/2"-13) Not Shown	43916	1
71	Drum Shaft	741	1
72	Drum Key	745	1
73	Worm Gear	743	1
74	Cable Drum	740	1
75	Retaining Ring	43982	1
Complete Table Hoist Assembly - Includes Crank		700111	-

*Please contact factory for current prices.*

## ORDERING INFORMATION

Parts are available for direct purchase from Dake or through a distributor. When placing a parts order, you will need to provide the part number, name of part, and model number. All parts shipped F.O.B. Factory in Grand Haven, MI.