



DAKE DRILL PRESS

SB-250V

INSTRUCTIONAL MANUAL



WARNING!

Read and understand all instructions and responsibilities before operating. Failure to follow safety instructions and labels could result in serious injury.

Dake Corporation
1809 Industrial Park Dr
Grand Haven, MI 49417

Phone: 800.937.3253
Fax: 800.846.3253

www.dakecorp.com

TABLE OF CONTENTS

DAKE STANDARD LIMITED WARRANTY	2
RETURN & REFUND POLICY.....	4
SPECIFICATIONS.....	5
SAFETY	6
SET UP	9
UNCRATING AND INSTALLATION.....	9
GROUNDING INSTRUCTIONS	9
CONTROLS	10
OPERATION	11
TAPPING OPERATIONS USING REVERSE FEATURE.....	11
DRILL/CHUCK INSTALLATION.....	11
INSTALLATION OF DRILL BIT	12
TOOLING REMOVAL.....	12
TABLE HEIGHT ADJUSTMENT	12
TABLE SWING ADJUSTMENT	13
FEED DEPTH ADJUSTMENT	13
WORK HOLDING	14
SPEED ADJUSTMENT.....	14
AUTO AND MANUAL DOWN FEED.....	16
MAINTENANCE	17
TROUBLESHOOTING.....	18
ELECTRICAL DIAGRAMS.....	20
EXPLODED VIEWS & PARTS LISTS	21
ORDERING INFORMATION.....	24



DAKE STANDARD LIMITED WARRANTY

Finished Machines

Dake warrants to the original purchaser the finished machine manufactured or distributed by it to be free from defects in material and workmanship under normal use and service within 1 year (12 months) from the delivery date to the end user.

Parts & Couplings

Dake warrants to the original purchaser the component part or coupling manufactured or distributed by it to be free from defects in material and workmanship under normal use and service within 30 days from the delivery date to the end user.

The standard limited warranty includes the replacement of the defective component part or coupling, at no cost to the end user.

Warranty Process

Subject to the conditions hereinafter set forth, the manufacturer will repair or replace any portion of the product that proves defective in materials or workmanship. The manufacturer retains the sole right and option, after inspection, to determine whether to repair or replace defective equipment, parts or components. The manufacturer will assume ownership of any defective parts replaced under this warranty.

All requested warranty claims must be communicated to the distributor or representative responsible for the sale. Once communication has been initiated, Dake Customer Service must be contacted for approval:

Phone: (800) 937-3253

Email: customerservice@dakecorp.com

When contacting Dake, please have the following information readily available:

- Model #
- Serial #
- Sales Order #

Purchasers who notify Dake within the warranty period will be issued a Case number and/or a Return Material Authorization (RMA) number. If the item is to be returned per Dake's request, the RMA number must be clearly written on the exterior packaging. Any item shipped to Dake without an RMA will not be processed.

Warranty Exceptions:

The following conditions are not applicable to the standard limited warranty:

- (a) Part installation or machine service was not completed by a certified professional, and is not in accordance with applicable local codes, ordinances and good trade practices.
- (b) Defects or malfunctions resulting from improper installation or failure to operate or maintain the unit in accordance with the printed instructions provided.
- (c) Defects or malfunctions resulting from abuse, accident, neglect or damage outside of prepaid freight terms.
- (d) Normal maintenance service or preventative maintenance, and the parts used in connection with such service.
- (e) Units and parts which have been altered or repaired, other than by the manufacturer or as specifically authorized by the manufacturer.
- (f) Alterations made to the machine that were not previously approved by the manufacturer, or that are used for purposes other than the original design of the machine.



RETURN & REFUND POLICY

Thank you for purchasing from Dake! If you are not entirely satisfied with your purchase, we are here to help.

Returns

All Dake manufactured / distributed machines, parts and couplings include a 30-day return option. These policies are valid from the date of final shipment to the end user.

To be eligible for a return, the item must be unused and in the same condition as received.

All requested warranty claims must be communicated to the distributor or representative responsible for the sale. Once communication has been initiated, Dake Customer Service must be contacted for approval:

Phone: (800) 937-3253

Email: customerservice@dakecorp.com

Once the return request has been approved by Customer Service, a representative will supply a Return Material Authorization (RMA) number. The returned item must have the provided RMA number clearly marked on the outside packaging. Any item received without an RMA number clearly visible on the packaging will not be processed.

An RMA number can only be provided by the Dake Customer Service team and must be obtained prior to the return shipment.

Refunds

Once the item has been received and inspected for damages, a representative will notify the requestor referencing the provided RMA number.

If the return is approved, a refund will be issued to the original method of payment, less a 20% restocking fee. The restocking fee may be waived if an order is placed at the time of return with like-value merchandise.

Transportation costs are the responsibility of the end user and will not be credited upon return approval.

Any item that is returned after the initial 30 days or has excessive/obvious use will not be considered for a full refund.

SPECIFICATIONS


Model	SB-250V
Number	977700-1V
Voltage	110V Single Phase
Horsepower	1.5 HP
Drill Type	Floor
Max. Drill Capacity	1"
Spindle Taper	MT3
Spindle Travel	5"
Max. Work Diameter	18"

Speeds	Variable Speed
Spindle Speed Range	68-1,380 RPM
Column Diameter	3-5/8"
Table	15-3/4" x 15-3/4"
Base	23-5/8" x 15"
Spindle to Table	28-3/8"
Spindle to Base	49-3/8"
Overall Height	71"
Weight	483 lbs.

In the space provided record the serial number and model number of the machine. If contacting Dake this information must be provided to assist in identifying the specific machine.

Serial No.	
Model No.	
Date Purchased:	

SAFETY

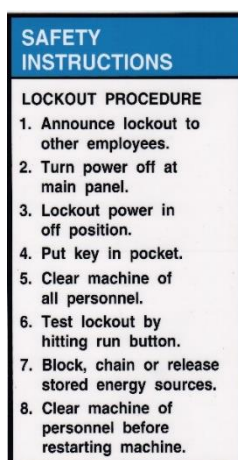
 **This is the safety alert symbol.** When you see this symbol on your machine be alert to the potential for personal injury.

Carefully read all safety messages in these instructions and on your machine safety signs. Keep safety labels in good condition. Replace missing or damaged labels.

Employer is responsible to perform a hazard/PPE assessment before work activity.



Label Part No.
84395



Label Part No.
76462



Label Part No.
300168



Label Part No.
82199



WARNING: This product contains Nickel, a chemical known to the State of California to cause cancer. For more information go to www.P65Warnings.ca.gov

Additional Safety Warnings:

- Keep guards in place and in working order.
- Remove adjusting key and wrenches, be in the habit of checking to see that keys and adjusting wrenches are removed from tool before turning on.
- Keep work area clean. Cluttered areas and benches invite accidents.
- Do not use in dangerous environments. Do not use in damp or wet locations or expose them to rain.
- Do not force tool. Machine will do a better and safer job at the rate for which it was designed.

- Use the right tool. Do not force the tool or use the machine to do a job for which it was not designed.
- Do not wear gloves, neckties, necklaces, rings, or loose clothing. Non-slip footwear is recommended. Wear protective hair covering to contain long hair.
- Always use safety glasses. Also use face or dust mask if cutting operation is dusty.
- Secure work. Use clamps or vise to hold work. Do not hold parts with hands.
- Do not overreach. Keep proper footing and balance at all times.
- Maintain tools with care. Keep tools sharp and clean for best and safest performance.
- Disconnect drill press from power before servicing or changing accessories such as bits, cutters, etc.
- Never stand on machine for risk of serious injury.
- Never leave tool running unattended. Turn power off. Do not leave machine until it comes to a complete stop.
- Be sure drill bit or cutting tool is securely in the chuck.
- Never place your fingers in a position where they could contact the drill or cutting tool of the work piece should unexpectedly shift.
- Never perform any operation by moving the head or table with respect to one another.
- Do not switch machine on or start any operation before checking that the head and table lock handles are clamped tight to column, and the head and table support collars are correctly positioned.
- Operation of the drill press incorrectly, or on a dangerous fashion can result in serious injury or death, damage to the machine, it's components, or cutting tool.
- The drill press is designed for drilling and boring operations. Cautions is required when operating the drill press because it can be dangerous due to the high spindle rotation speed.
- Guards such as pully cover and chuck guard must be in place and in working condition to prevent hazard.
- Switch the power off before setting, inspecting, lubricating, cleaning, or changing the drill bit.
- To clamp work piece to brace against column to prevent material rotation.
- Using recommended speed for drill bit, and work piece material.
- All visitors should be kept a safe distance from work area.
- Make workshop kid proof with padlocks, master switches, or by removing the starter key.
- Reduce the risk of accidental starting. Make sure switch is in off position before plugging in.

- Use recommended accessories. The use of improper accessories may cause risk of injury.
- Adjust the table or depth stop to avoiding drilling into the table, shut off the power. Remove the drill bit or cutting tool, and clean the table before leaving the machine.
- Do not operate until completely assembled and installed according to the instructions.
- If any part of your drill press is malfunctioning, has been damaged, or broken do not operate until the part is properly repaired or replaced.
- Lockout the motor switch when leaving the drill press. Don't perform layout, assembly, or setup work on the table while the cutting tools rotating.

Voltage Warning:

- Before connecting the machine to a power source know your incoming voltage.
- At power source with voltage greater than that specified for the machine can result in serious injury to the user and can damage the machine.
- Using a power source with voltage less than that of the machines rating can damage the motor and other components.
- If you are unsure of the voltage rating do not use the machine.
- Extension cords and surge protectors are not recommended for this product.
- Ground fault circuit interrupters (GFCI) should not be used.
- No not tamped with the wiring or settings inside the frequency drive.

SET UP

UNCRATING AND INSTALLATION

1. Location of the drill press should be in a well-lit area with correct power supply and that will not interfere with other machines or operations.
2. Carefully uncrate machine and inspect all packing to make sure no parts are manuals are thrown out.
3. When transporting the machine please use caution. If using a sling have someone steady the machine while moving.
4. Install your drill press on a sturdy level floor surface. It must be anchored to the floor; **the machine is top heavy.**
5. Connect appropriate power to the machine. Make sure circuit breakers are suitable for the machine. Consult local codes for proper installation of machine. Always route power cables in a safe manner away from traffic areas, damp areas, heat, and moving parts.
6. After installing the drill press, use degreasing product to clean off the anti-rust oil which was applied at the factory. Then wipe machined surfaces with a light coating of lubricant oil (way oil).
7. Check for damaged parts before further use of the machine. A guard or other part that is damaged should be replaced or repaired before use. Carefully check to determine that it will operate properly and perform its intended function. Check for alignment of moving parts and binding of moving parts. Breakage of parts or mountings and or any other conditions that could be affect its operation.

GROUNDING INSTRUCTIONS

In the event of a malfunction or breakdown, grounding provides a path of least resistance for electric current to reduce the risk of electrical shock. This machine is equipped with an electric cord must be used with a matching outlet that is properly installed and grounded in accordance with all local codes and ordinances.

- Do not modify the plug provided. If it will not fit the outlet have the proper outlet installed by a qualified electrician.
- Improper connection of the equipment grounding can result in a risk of electrical shock. The conductor with insulation having an outer surface that is green with yellow stripes is equipment grounding conductor. If repair or replacement of the electric cord or plug is necessary, do not connect the equipment grounding conductor to a live terminal.
- Check with a qualified electrician or serviceman if the grounding instructions are not completely understood, or if in doubt as whether the machine is properly grounded.
- It is not recommended to use an extension cord or surge protectors on the machine.
- Ground fault circuit interrupters (GFCI) should not be used.
- Do not tamper with wiring or settings inside the frequency drive.
- Repaired or replace damaged or worn cords immediately.

CONTROLS

Emergency Stop Button: When this is pressed the power to the motor and controls is disconnected. The frequency drive stores energy, this will remain lit for approximately 20 seconds.

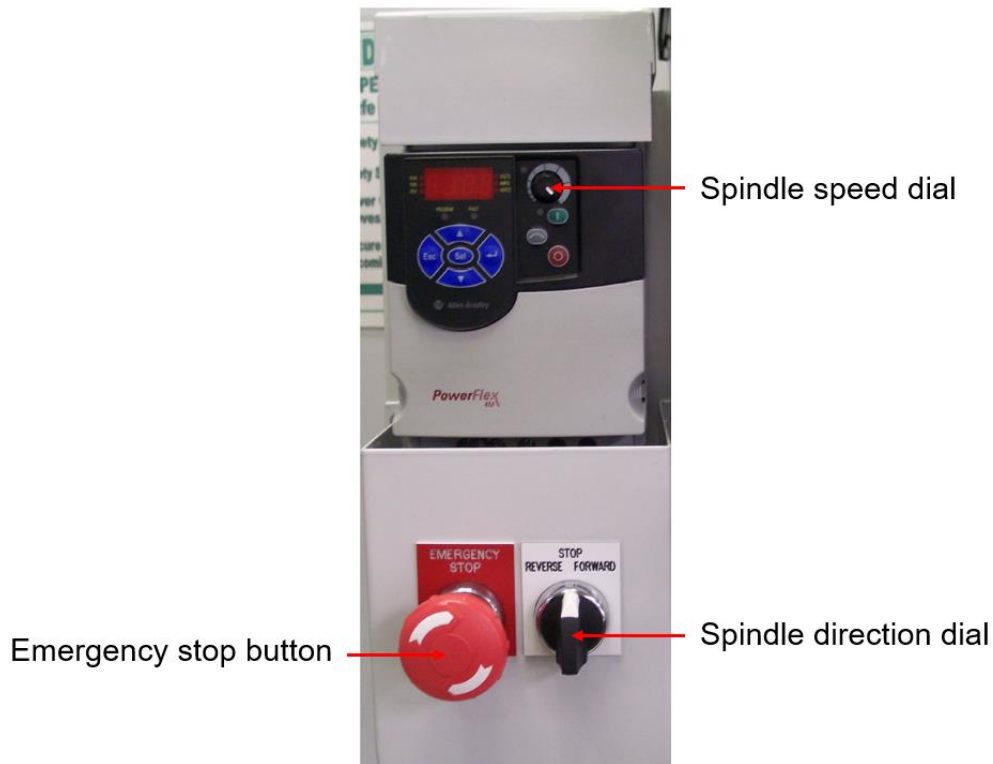
Spindle Direction: Turn the spindle direction switch to the desired direction forward, reverse, or stop. If the emergency stop button is pushed or if the power is lost you will have to move this to stop (to reset) then to desired spindle direction.

Stop: This is used when you would like the spindle to stop.

Forward: This is used for standard drilling and tapping operations.

Reverse: This is used for left-hand tapping and to retract a tap during tapping operations.

Spindle Speed: The black dial in the upper right-hand corner controls the spindle speed. This will change the speed in forward and reverse direction. **⚠ WARNING:** Avoid stopping the motor under load or stalling the motor. This could damage the electrical components.



OPERATION

TAPPING OPERATIONS USING REVERSE FEATURE

1. Drill the initial hole on the drill press for accuracy of diameter. If diameter is 1/2" or larger drill a pilot hole about half that diameter first.
2. Make sure the hole had a large enough chamfer. If the chamfer is too small the tap will have to work a little harder when starting the tapping operation.
3. Select tap type. Choose from a taper tap (recommended), plug tap or bottoming tap. The taper has several chamfer threads forming a tapered cone on the inserting end. The plug tap has fewer chamfer threads and a bottoming tap only has a couple chamfer threads.
4. Match the tap size. Use the specified tap size to thread the hole diameter. Taps that are sold with drill bits are size matched. The taps themselves may show the hole size they're intended for but is likely to be given in metric notation. Use a conversion chart to match this with the standard fraction measured drill bits.
5. Cut the threads. Lubricate the tap with tapping fluid. Start the drill press and lower the tap gently in to the hole to be threaded. It only takes a few seconds to tap. When the tap gets to the desired depth reverse the direction of the spindle and the tap will work its way out, as long as it has been set up properly.

Tips for tapping:

- Tapping takes practice to do it well and not to break taps. If you're new to tapping practice on sample stock before tapping in to the actual material.
- Materials have differing requirements for drill speed and lubrication.
- Hole depths and diameters may present additional drilling requirements.
- Refer to the material charts for drilling specifications.

DRILL/CHUCK INSTALLATION

1. Before inserting drill bits, chucks, or arbors always clean out the spindle hole and taper hole with a clean cloth.
2. Open chuck jaws completely by turning attached chuck key counter-clockwise until the jaws are fully opened.
3. To install the chuck to the arbor tightly, slide the chuck into the taper forcing it into the spindle with by handle.
4. Place a block of wood on the table then lower the spindle to contact the wood and press the chuck tightly into the spindle taper.
5. Install a taper shaft drill into the taper the same way as you would the chuck. If an adaptor is used it must fit the taper correctly and the bit must fit snug in the adaptor.

INSTALLATION OF DRILL BIT

A drill bit with a shaft of at least 1" long should be used to allow correct chuck jaw contact. If the shaft is under 1" do not insert bit as far into the chuck where it allows jaw contact with the drill flutes.

Center drill bit into the chuck and tighten the chuck securely with the chuck key.

Note: Always use sharp, straight bits. Never use bits with turned down shafts. Never exceed the maximum shaft diameter bit size for the machine. All guards and interlocks must be in place when operating the machine.



TOOLING REMOVAL

1. Before removing the chuck or bit from the machine be sure the spindle has come to complete stop and power is off.
2. If needed rotate spindle by hand to align the spindle and quill openings.
3. Insert the wedge removal tool while supporting the tooling tap the wedge to remove the tooling.

TABLE HEIGHT ADJUSTMENT

1. Loosen the clamp bolt then adjusting the table with the bracket handle to desired work height.
2. Retighten the clamp securely when table is adjusted to desired height.

Note: Keep table adjustment rack clean from debris. Never attempt to move table with clamp bolt tightened.

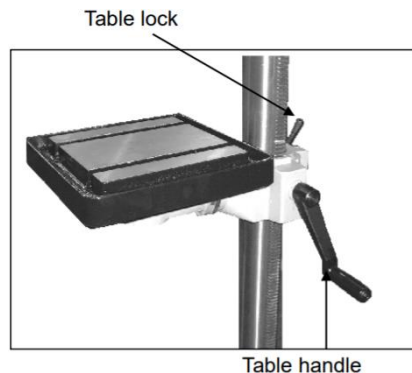
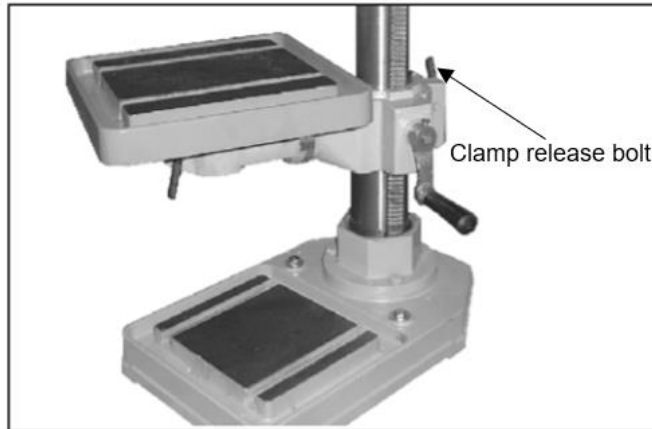


TABLE SWING ADJUSTMENT

1. To swing the table up to 360°, loosen the clamp release bolt and swing the table to the desired position.
2. After table is in the correct position, tighten clamp release bolt securely.

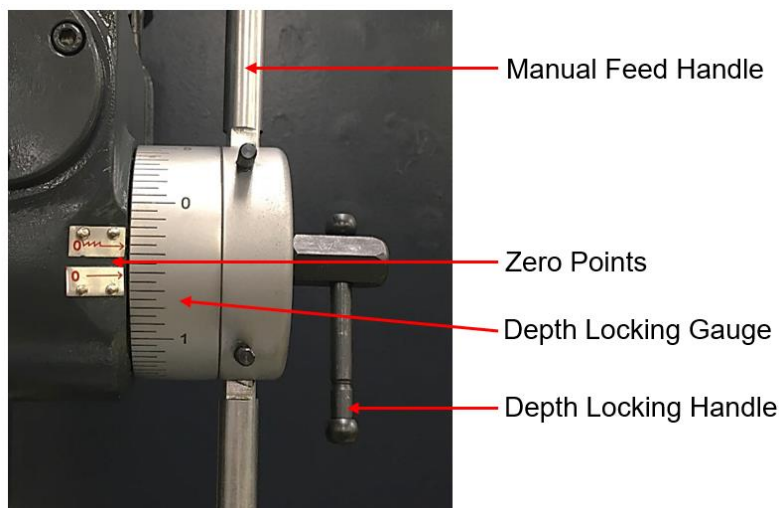
Note: Never swing the table if any material or fixturing is on it. Only adjust when table is free of loose articles.



FEED DEPTH ADJUSTMENT

1. Setting the feed depth adjustment is done by loosening the depth locking handle on the spindle depth index sleeve.
2. Rotate to desired length,
 - a. The straight zero point is for manual depth operations.
 - b. The zigzag zero point is for auto feed depth operations.
3. And securely tighten the depth locking handle.

Note: Never make this adjustment while machine is running.



WORK HOLDING

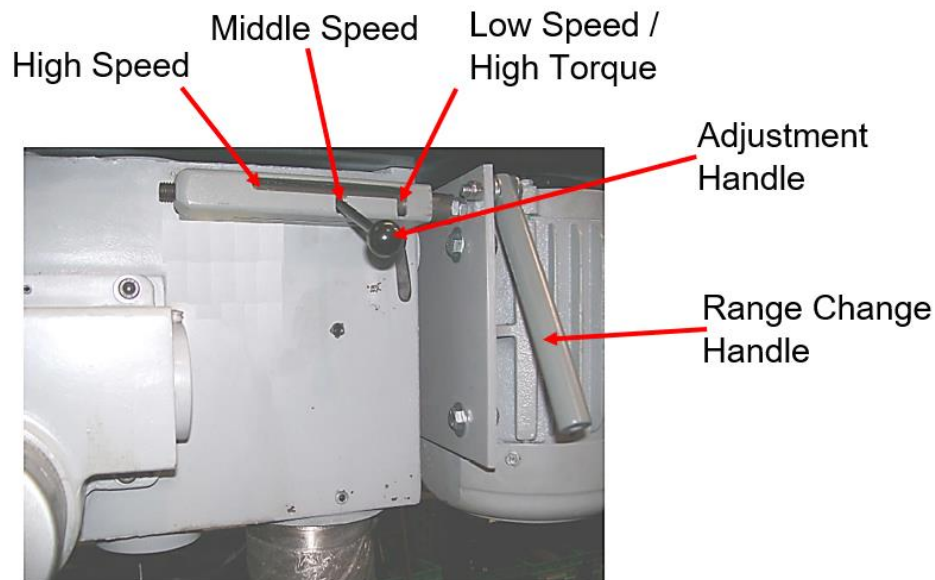
When drilling directly on the table surface it is recommended that a piece of wood or plywood be clamped securely to the table under the work piece. This will minimize splintering or burring as the drill breaks through the work. It will minimize drill bit and table damage. Clamp work piece to the table whenever possible. The table has "T-slots" that allow for many different clamping configurations. When part cannot be affixed to the table a drill vise that is bolted to the table must be used to hold the work piece safely.

SPEED ADJUSTMENT

HYPERLINK

"https://www.google.com/url?sa=i&rct=j&q=&esrc=s&source=images&cd=&cad=rja&uact=8&ved=2ahUKEwitt5m7ocLbAhVQXKwKHRISBhkQjRx6BAgBEAU&url=http://www.centurionsigns.co.uk/product/exclamation-warning-sign/&psig=AOvVaw3FVbTTe_CEDBOrk8LLmp2A&ust=1528485179767197" **WARNING: Wait until the machine has come to a complete stop before proceeding with changing the speed!**

1. With motor running (NOT ON THE HIGHEST SPEED), adjust the range change handle and at the same time move the adjustment handle to the desired range. See illustration and speed chart.



Speed Adjustment Guide:

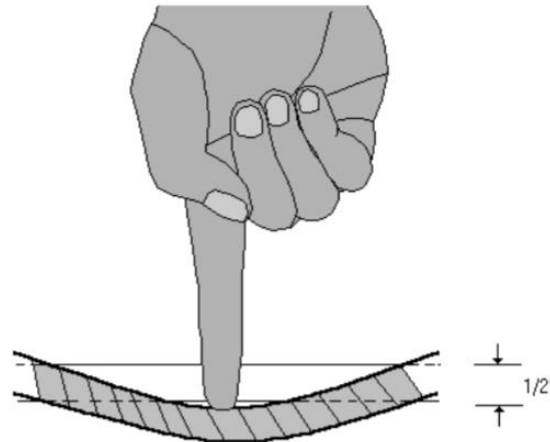
Frequency	High Speed (RPM)	Middle Speed (RPM)	Low Speed High Torque (RPM)
10Hz	120	101	68
20Hz	234	200	112
30Hz	350	291	197
40Hz	465	387	263
50Hz	580	483	328
60Hz	695	580	400
70Hz	811	675	465
80Hz	926	771	530
90Hz	1042	865	585
100Hz	1157	964	615
110Hz	1270	1061	713
120Hz	1381	1155	776

Proper drill speed for a given drill bit size:

Drill Dia.	Material Type				
	Cast Steel	Tool Steel	Cast Iron	Mild Steel	Alum. & Copper
	RPM				
1/16"	2,445	3,665	4,890	6,110	12,225
1/8"	1,220	1,831	2,445	3,055	6,110
3/16"	815	1,220	1,630	2,035	4,075
1/4"	610	915	1,220	1,530	3,055
5/16"	490	735	980	1,220	2,445
3/8"	405	610	815	1,020	2,035
7/16"	350	525	700	870	1,745
1/2"	305	460	610	765	1,530
5/8"	245	365	490	610	1,220
3/4"	205	305	405	510	1,020
7/8"	174	261	348	435	762
1"	153	229	306	382	668
1-1/8"	136	204	272	340	595

1-1/4"	122	167	244	306	535
--------	-----	-----	-----	-----	-----

Proper belt tension is approximately 10 lbs, or 1/2" of deflection.



AUTO AND MANUAL DOWN FEED

Manual Down Feed:

With the spindle in operation and feed handle in the manual feed position pull the feed handle down to contact the work.

Auto Down Feed:

HYPERLINK

"https://www.google.com/url?sa=i&rct=j&q=&esrc=s&source=images&cd=&cad=rja&uact=8&ved=2ahUKEwitt5m7ocLbAhVQXKwKHRISBhkQjRx6BAgBEAU&url=http://www.centurionsigns.co.uk/product/exclamation-warning-sign/&psig=AOvVaw3FVbTTe_CEDBOrk8LLmp2A&ust=1528485179767197" **WARNING:** Be sure to set the Feed Depth Adjustment before initiating auto-feed feature.

1. With the spindle in operation, pull the feed handle out away from the drill press. This initiates the auto down feed feature.
2. The spindle will begin to feed down.
3. If you want to stop the auto down feed move the feed handle back towards the machine to the manual feed position and the spindle will go back up to the starting position.

MAINTENANCE

 **Before performing any maintenance ensure that the machine is LOCKED OUT and unplugged.**

Special maintenance operations must be carried out by skilled personnel. However, we advise contacting DAKE. The term special maintenance also covers resetting of protection/safety equipment and devices.

- On a regular basis, blow out any dust that may accumulate inside the motor (frequency depends on environment the machine is in).
- A coat of automotive wax needs to be applied to the table and column to help keep the surface clean.
- If the power cord is worn, cut, or damaged in any way have it replaced immediately.
- All ball bearings are packed with grease at the factory and require no further lubrication.
- Periodically lubricate the gear and rack table elevation mechanism, the spindle splines and rack (teeth on quill).
- After each use the machine should be cleaned.
- Weekly lubrication of all sliding or moving parts with light weight or way oil is recommended.

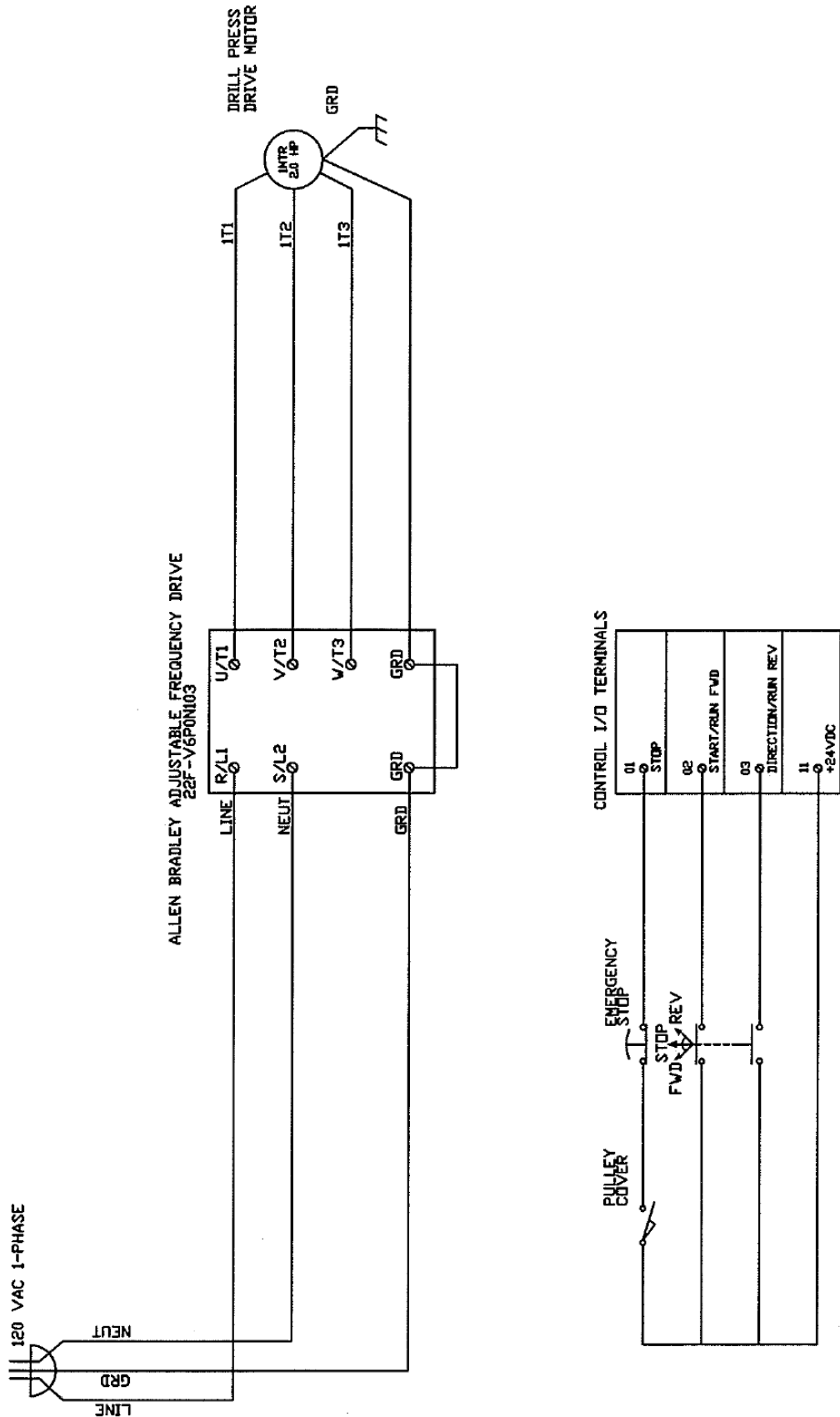
TROUBLESHOOTING

SYMPTOM	CAUSE	SOLUTION
Machine does not turn on	Machine not plugged in	Plug in to proper receptacle
	Frequency drive has an error	Clear error by turning drill off and back on
	Too long or not correct extension cord	Remove extension cord and plug directly in to receptacle
	Emergency stop button is activated	Deactivate emergency button
	Belt cover is open	Close belt cover
Noisy Operation	Incorrect belt tension	Adjust tension, see "Speed Adjustment" section of this manual
	Loose spindle or motor pulley	Check for wear or if pulley can be tightened
	Spindle bearing worn	Replace bearing
Chuck or quills fall out	Rust inhibitor, dirt, debris in or on quill or spindle taper	Clean chuck and quill
Spindle does not move up or down	Belt is broken or slipping	Check belt for damage and replace if needed. Check for proper belt tension, see "Speed Adjustment" section of this manual
	Debris in quill	Clean quill and teeth
	Feed depth adjustment is set	See "Feed Depth Adjustment" in this manual
Spindle does not rotate	Belt tension is too loose	Tighten belt tension, see "Speed Adjustment" section of this manual
	Belt is broken or worn	Replace belt
	Taper is slipping in spindle	Clean chuck and quill
	Motor is not rotating	Troubleshoot motor or contact DAKE

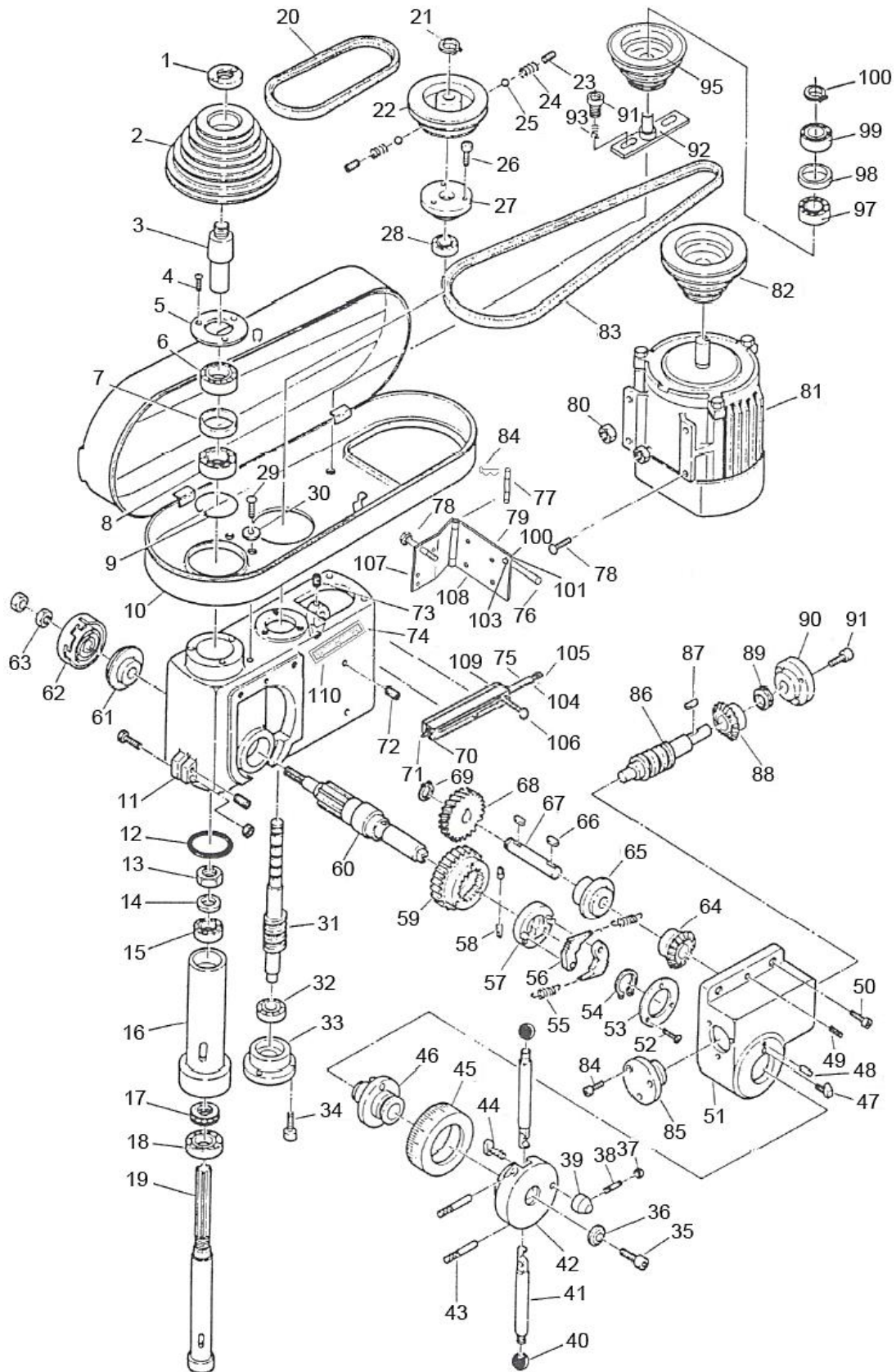


Dake Corporation
1809 Industrial Park Dr
Grand Haven, MI 49417
www.dakecorp.com

ELECTRICAL DIAGRAMS



EXPLODED VIEWS & PARTS LISTS

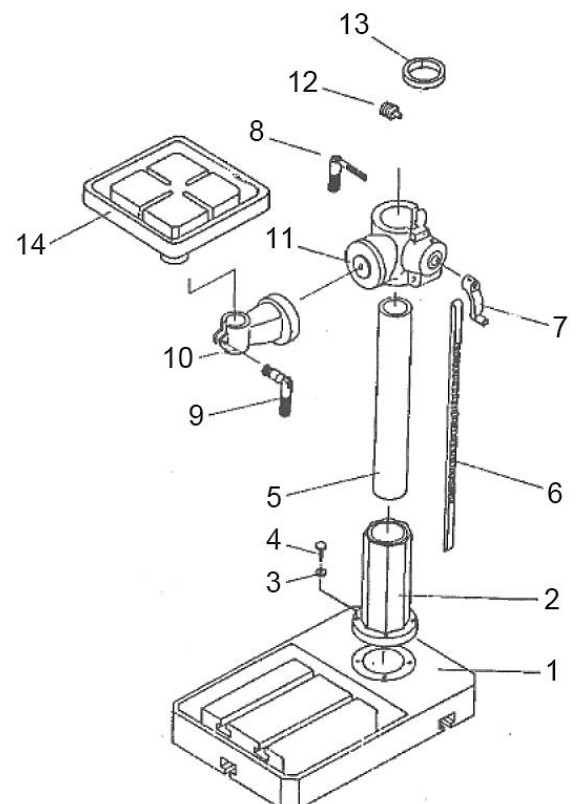


Item No.	Part Description	Part No.
1	Nut	
2	Spindle Pulley	301088
3	Insert Pulley Shaft	302218
4	C-Ring	
5	Ring	
6	Bearing 6203Z	300987
7	Ring	
8	Bearing	
9	Snap Ring	
10	Pulley Cover	303889
11	Head	303675
12	Rubber Pad	
13	Nut	
14	Nut	
15	Bearing 6006Z & 6208Z	303860 & 303861
16	Quill (2.42")	303859
17	Thrust Bearing	303862
18	Bearing	303863
19	Spindle	301099
20	Belt	301093
21	Snap Ring	
22	Pulley	
23	Set Screw	
24	Spring	
25	Ball	
26	Bolt	
27	Cover	
28	Bearing	
29	Button Head Screw	
30	Washer	
31	Worm Shaft (Vertical)	
32	Bearing	
33	Cover	
34	Bolt	
35	Bolt	
36	Washer	
37	Lock Handle	
38	Lock Handle	
39	Lock Handle	

Item No.	Part Description	Part No.
40	Knob	
41	Handle	303872
42	Handle Base	303876
43	Pin	
44	Lock Screw	
45	Scale Sleeve	301071
46	Clutch	
47	Block	
48, 49	Pin	
50	Hex Screw	
51	Gear Box	
52	Screw	
53	Fixed Plate	
54	C-Ring	
55	Spring	
56	Clutch Claw	
57	Clutch Claw Base	
58	Pin	
59	Gear Clutch	
60	Pinion Shaft	
61	Spring Cap Base	
62	Spring & Cap	
63	Nut	
64	Gear Bevel	
65	Gear Bevel Base	
66, 67	Key	
68	Gear	
69	C-Ring	
70	Nut	43938
71	Set Screw	302761
74	Can	
75	Adjusting Rod	87391
76	Handle	554
77	Hinge Pin	87388
78	M14-2.0 x 150mm	302757
81	Motor	300996
82	Motor Pulley	302749
83	Belt	302748
84	Hitch Pin	302760

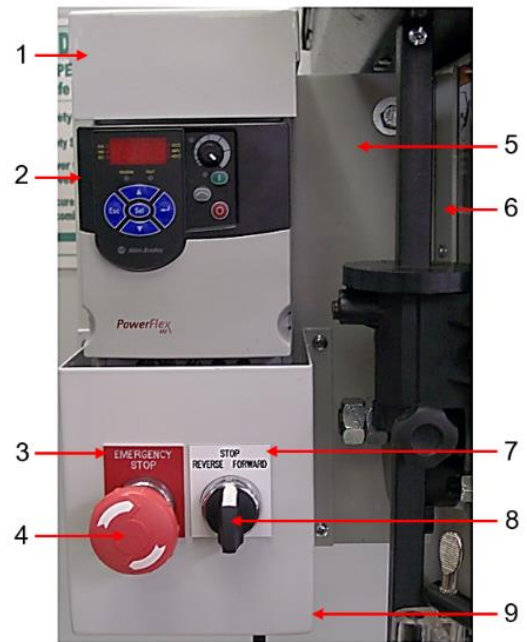
Item No.	Part Description	Part No.
86	Worm Shaft (Horizontal)	
87	Key	
88	Bevel Gear	
89	Bearing	
90	Worm Shaft Base	
91	Screw	
92	Pulley Holder	
93	Spring	
94	Bolt	
95	Pulley	301089
97	Bearing	
98	Spacer	
99	Bearing	
100	Handle Washer & Snap Ring	43632
101	Nylock Nut	300827
103	Handle Bolt	43317
104	Bolt	43330
105	Locknut	43937
106	Handle with Ball	300702
107	Hinge Plate	87386
108	Motor Mounting Plate	87387
109	Belt Tension Adjuster	87390
110	Range Change Label	87402

Item No.	Description	Part No.
1	Base	301041
2	Flange	301042
3	Spring Washer (4x)	13 mm
4	Screw	300999
5	Column	301044
6	Rack	301047
7	Handle	301048
8	Clamp Bolt	301049
9	Clamp Bolt	301051
10	Table Arm	301052
11	Table Bracket	301055
12	Worm	301056
13	Collar	301057
14	Feed Handle (3x)	301059



Additional Parts:

Item No.	Part Description	Part No.
1	Top Cover	87377
2	Drive Unit	302704
3	E-Stop Name Plate	301904
4	E-Stop Button	716538
5	Back Mounting Plate	87378
6	Bracket	87382
7	Selector Name Plate	302746
8	Selector Switch	302730
9	Switch Mounting Box	87379



Parts not shown:

Part Description	Part No.	Qty.
Cord set with Plug	300529	1
Motor Grommet	300540	1
Contact Block N.O.	301782	2
Metal Latch	301785	1
Cable 4 Wire	302683	1
Bolt for Mounting Bracket (5/16"-18 x 3/4")	43314	2
Washer for Mounting Bracket (5/16" Flat)	43632	2
Lock Washer for Mounting Bracket (5/16")	43644	2
Nut for Mounting Bracket (5/16"-18, heavy)	43911	2
Top Mounting Screw for Top Bracket (#10-24 x 24)	43847	2
Nut for Top Mounting Screw (#10-24)	43905	2
Self-tapping Screw	43881	7
Connector Cord	75151	2
Conduit Locknut (1/2")	75257	2

Please contact factory for current prices.

ORDERING INFORMATION

Parts are available for direct purchase from Dake or through a distributor. When placing a parts order, you will need to provide the part number, name of part, and model number. All parts shipped F.O.B. Factory in Grand Haven, MI