



DAKE RATCHET LEVER ARBOR PRESS

Model 1-1/2, 1-1/2B and 1-3/4

INSTRUCTIONAL MANUAL



WARNING!

Read and understand all instructions and responsibilities before operating. Failure to follow safety instructions and labels could result in serious injury.

Dake Corporation
1809 Industrial Park Dr
Grand Haven, MI 49417

Phone: 800.937.3253
Fax: 800.846.3253

www.dakecorp.com



TABLE OF CONTENTS

DAKE STANDARD LIMITED WARRANTY	2
RETURN & REFUND POLICY	4
SPECIFICATIONS.....	5
SAFETY.....	6
HANDLE POSITION.....	7
OPERATION	7
MAINTENANCE	7
LUBRICATION	7
EXPLODED VIEW & PARTS LIST	8
EXPLODED PARTS VIEW.....	8
MODEL 1-1/2 PARTS LIST.....	9
ORDERING INFORMATION	9
MODEL 1-1/2B PARTS LIST	10
ORDERING INFORMATION	10
MODEL 1-3/4 PARTS LIST.....	11
ORDERING INFORMATION	11



DAKE STANDARD LIMITED WARRANTY

Finished Machines

Dake warrants to the original purchaser the finished machine manufactured or distributed by it to be free from defects in material and workmanship under normal use and service within 1 year (12 months) from the delivery date to the end user.

Parts

Dake warrants to the original purchaser the component part manufactured or distributed by it to be free from defects in material and workmanship under normal use and service within 30 days from the delivery date to the end user.

The standard limited warranty includes the replacement of the defective component part at no cost to the end user.

Sale of Service (Repairs)

Dake warrants to the original purchaser the component part repaired by Dake Corporation at the manufacturing facility to be free from defects in material and workmanship under normal use and service within 90 days from the return date to the end user, as it pertains to the repair work completed. The standard limited warranty includes repair of the defective component part, at no cost to the end user.

Warranty Process

Subject to the conditions hereinafter set forth, the manufacturer will repair or replace any portion of the product that proves defective in materials or workmanship. The manufacturer retains the sole right and option, after inspection, to determine whether to repair or replace defective equipment, parts or components. The manufacturer will assume ownership of any defective parts replaced under this warranty.

All requested warranty claims must be communicated to the distributor or representative responsible for the sale. Once communication has been initiated, Dake Customer Service must be contacted for approval:

Phone: (800) 937-3253

Email: customerservice@dakecorp.com

When contacting Dake, please have the following information readily available:

- Model #
- Serial #
- Sales Order #

Purchasers who notify Dake within the warranty period will be issued a Case number and/or a Return Material Authorization (RMA) number. If the item is to be returned per Dake's request, the RMA number must be clearly written on the exterior packaging. Any item shipped to Dake without an RMA will not be processed.



Warranty Exceptions:

The following conditions are not applicable to the standard limited warranty:

- (a) Part installation or machine service was not completed by a certified professional, and is not in accordance with applicable local codes, ordinances and good trade practices.
- (b) Defects or malfunctions resulting from improper installation or failure to operate or maintain the unit in accordance with the printed instructions provided.
- (c) Defects or malfunctions resulting from abuse, accident, neglect or damage outside of prepaid freight terms.
- (d) Normal maintenance service or preventative maintenance, and the parts used in connection with such service.
- (e) Units and parts which have been altered or repaired, other than by the manufacturer or as specifically authorized by the manufacturer.
- (f) Alterations made to the machine that were not previously approved by the manufacturer, or that are used for purposes other than the original design of the machine.



RETURN & REFUND POLICY

Thank you for purchasing from Dake! If you are not entirely satisfied with your purchase, we are here to help.

Returns

All Dake manufactured / distributed machines, parts and couplings include a 30-day return option. These policies are valid from the date of final shipment to the end user.

To be eligible for a return, the item must be unused and in the same condition as received.

All requested warranty claims must be communicated to the distributor or representative responsible for the sale. Once communication has been initiated, Dake Customer Service must be contacted for approval:

Phone: (800) 937-3253

Email: customerservice@dakecorp.com

Once the return request has been approved by Customer Service, a representative will supply a Return Material Authorization (RMA) number. The returned item must have the provided RMA number clearly marked on the outside packaging. Any item received without an RMA number clearly visible on the packaging will not be processed.

An RMA number can only be provided by the Dake Customer Service team and must be obtained prior to the return shipment.

Refunds

Once the item has been received and inspected for damages, a representative will notify the requestor referencing the provided RMA number.

If the return is approved, a refund will be issued to the original method of payment, less a 20% restocking fee. The restocking fee may be waived if an order is placed at the time of return with like-value merchandise.


Transportation costs are the responsibility of the end user and will not be credited upon return approval.


Any item that is returned after the initial 30 days or has excessive/obvious use will not be considered for a full refund.

SPECIFICATIONS

<u>Model</u>	<u>1-1/2</u>	<u>1-1/2B</u>	<u>1-3/4</u>
<u>Number</u>	902001	902002	902007
<u>Capacity</u>	3 tons	3 tons	3 tons
<u>Leverage ration</u>	48:1	48:1	48:1
<u>Ram size</u>	1-1/4" x 1-1/4" x 16-1/2"	1-1/4" x 1-1/4" x 24-1/2"	1-1/4" x 1-1/4" x 16-1/2"
<u>Max diameter work</u>	14"	14"	14"
<u>Throat</u>	7"	7"	7"
<u>Largest arbor</u>	2"	2"	2"
<u>Capacity over table</u>	11-1/2"	18-1/4"	11-1/2"
<u>Capacity over table plate</u>	10-3/4"	17-1/2"	10-3/4"
<u>Base length</u>	18"	21"	n/a
<u>Base width</u>	7-1/4"	8-1/4"	n/a
<u>Height</u>	19"	28"	24-3/8"
<u>Weight</u>	145 lbs	196 lbs	125 lbs

SAFETY

 **This is the safety alert symbol.** When you see this symbol on your press be alert to the potential for personal injury.
Employer is responsible to perform a hazard/PPE assessment before work activity.

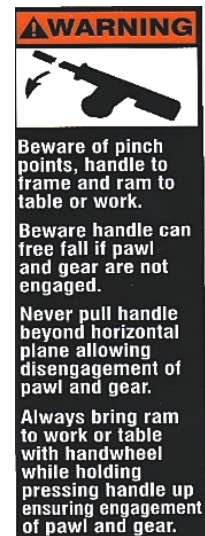
 **WARNING:** This product contains Nickel, a chemical known to the State of California to cause cancer. For more information go to www.P65Warnings.ca.gov



Label Part No. 300168



Label Part No. 79979



Label Part No. 87130

Follow recommended precautions and safe operating practices.

<p>Carefully read all safety messages in these instructions and on your press safety signs. Keep safety labels in good condition. Replace missing or damaged safety labels.</p>	<p>This machine is intended to be operated by one person. This person should be conscious of the press ram movement not only for themselves but also for persons in the immediate area of the machine.</p>	<p>Under no circumstances increase the leverage ratio of the press by using a longer handle or by placing a pipe over the handle. Never hammer on top of the ram.</p>
----------------------------------------------------------------------------------------------------------------------------------------------------------------------------------------	-------------------------------------------------------------------------------------------------------------------------------------------------------------------------------------------------------------------	------------------------------------------------------------------------------------------------------------------------------------------------------------------------------

HANDLE POSITION



⚠ CAUTION: NEVER PULL THE PRESS HANDLE PAST THE HORIZONTAL POSITION! To avoid personal injury and damaging the press only pull until the handle is horizontal, then return the handle back up as far as it allows before bringing the handle back down. This ensures that the pawl fully engages with the gear teeth to prevent tooth damage and gear slippage that can cause harm to the machine and worker. Examples above show the proper minimum and maximum handle positions.

OPERATION

Handwheel: The handwheel (item 18) can be turned to raise or lower the ram to and from the workpiece without exerting force on the workpiece.

Handle: The handle (item 9) can be used to lower the ram to exert force onto the workpiece. See safety instructions for more information on handle position.

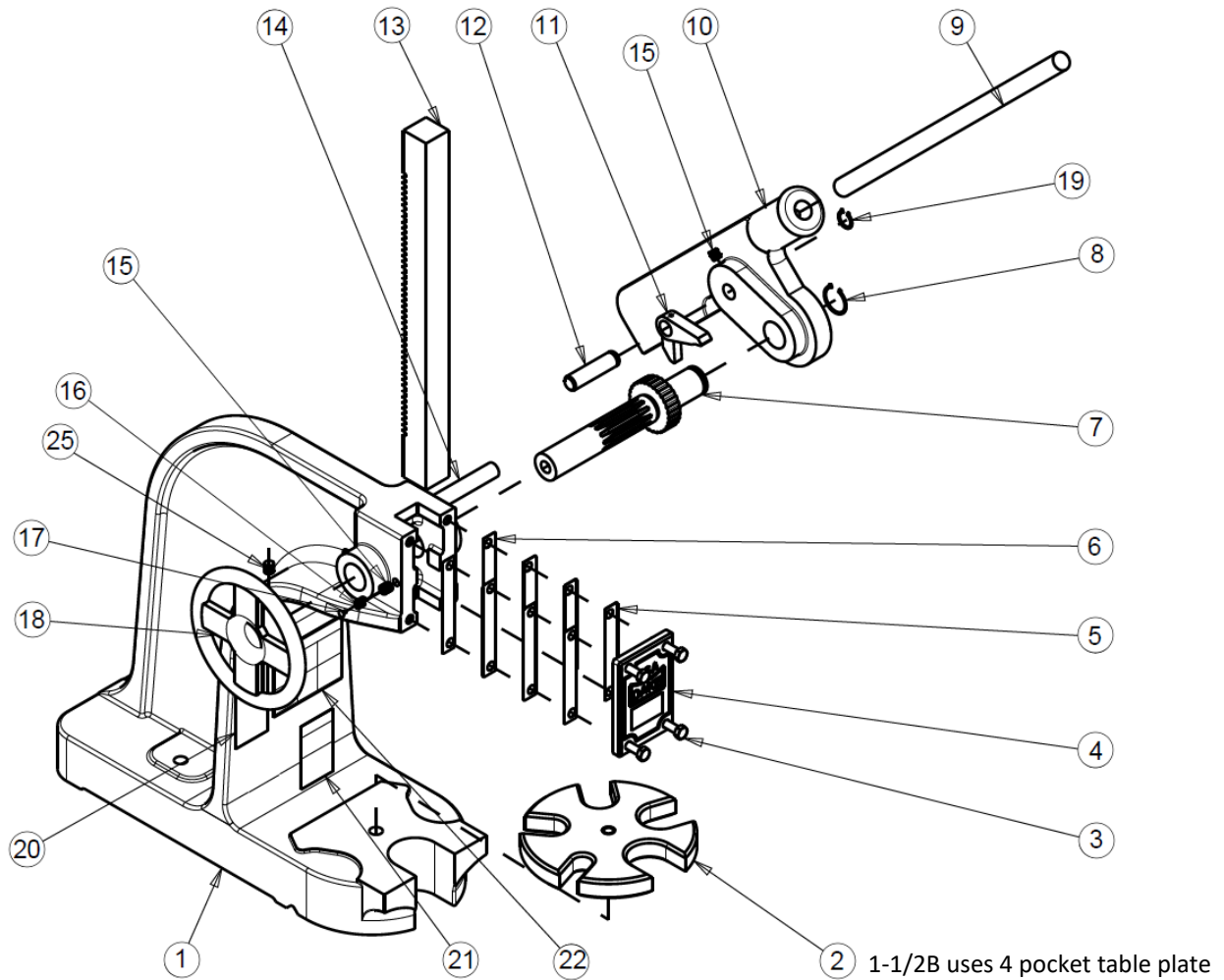
MAINTENANCE

LUBRICATION

- Keep all working parts of the press well-oiled for easier operation.
- Keep a light film of oil over the entire surface of the ram to prevent rust.

EXPLODED VIEW & PARTS LIST

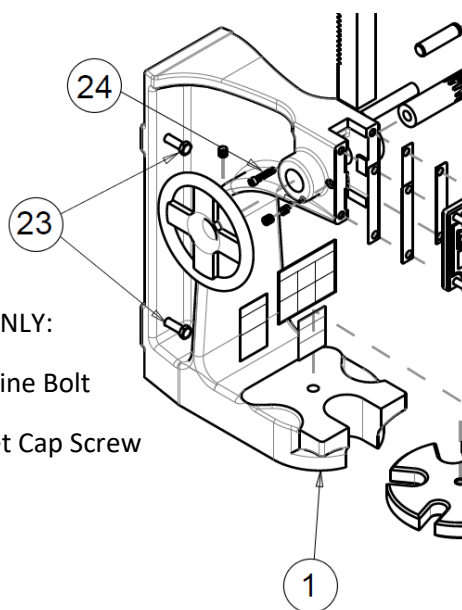
EXPLODED PARTS VIEW



MODEL 1-3/4 ONLY:

Item 22 – Machine Bolt

Item 23 – Socket Cap Screw



MODEL 1-1/2 PARTS LIST

<u>Item</u>	<u>Part Name</u>	<u>Part Number</u>	<u>Qty</u>
1	Frame	172	1
2	Table Plate Assembly	700807	1
3	Screw (5/16"-18 x 1")	43315	4
4	Ram Cap	142	1
5	Ram Cap Shim (.015")	146	6
6	Ram Cap Shim (.008")	145	2
7	Spindle	180	1
8	Retaining Ring	67424	1
9	Handle	179	1
10	Lever Weight	176	1
11	Pawl	177	1
12	Pawl Pin	175	1
13	Ram	147	1
13SS	Stainless Steel Ram	147SS	1
14	Rest Pin	174	1
15	3/8-16 x 5/8, Cup Point Screw	43589	3
16	Brake Spring	108	1
17	Tinners Rivet	43577	1
18	Handwheel	167	1
19	Retaining Ring	30577	1
20	Warning Label – Pinch Point	87130	1
21	Warning Label - Tipping	79979	1
22	Warning Label – Ganged	300168	1
25	3/8-16 x 5/8 Cone Point Screw	302429	1
N/A	Optional Speed Handle	87182	1

Please contact factory for current prices.

ORDERING INFORMATION

Parts are available for direct purchase from Dake or through a distributor. When placing a parts order, you will need to provide the part number, name of part, and model number. All parts shipped F.O.B. Factory in Grand Haven, MI.

MODEL 1-1/2B PARTS LIST

<u>Item</u>	<u>Part Name</u>	<u>Part Number</u>	<u>Qty</u>
1	Frame	184	1
2	Table Plate Assembly	700941	1
3	Screw (3/8"-16 x 1")	43328	6
4	Ram Cap	188	1
5	Ram Cap Shim (.010")	435	2
6	Ram Cap Shim (.015")	434	2
7	Spindle	180	1
8	Retaining Ring	67424	1
9	Handle	179	1
10	Lever Weight	176	1
11	Pawl	177	1
12	Pawl Pin	175	1
13	Ram	191	1
14	Rest Pin	174	1
15	3/8-16 x 5/8, Cup Point Screw	43589	3
16	Brake Spring	108	1
17	Tinners Rivet	43577	1
18	Handwheel	167	1
19	Retaining Ring	30577	1
20	Warning Label – Pinch Point	87130	1
21	Warning Label - Tipping	79979	1
22	Warning Label – Ganged	300168	1
25	3/8-16 x 5/8 Cone Point Screw	302429	1
N/A	Optional Speed Handle	87182	

Please contact factory for current prices.

ORDERING INFORMATION

Parts are available for direct purchase from Dake or through a distributor. When placing a parts order, you will need to provide the part number, name of part, and model number. All parts shipped F.O.B. Factory in Grand Haven, MI.

MODEL 1-3/4 PARTS LIST

<u>Item</u>	<u>Part Name</u>	<u>Part Number</u>	<u>Qty</u>
1	Frame	173	1
2	Table Plate Assembly	700807	1
3	Screw (5/16"-18 x 1")	43315	4
4	Ram Cap	142	1
5	Ram Cap Shim (.015")	146	2
6	Ram Cap Shim (.008")	145	2
7	Spindle	180	1
8	Retaining Ring	67424	1
9	Handle	179	1
10	Lever Weight	176	1
11	Pawl	177	1
12	Pawl Pin	175	1
13	Ram	147	1
13SS	Stainless Steel Ram	147SS	1
14	Rest Pin	174	1
15	3/8-16 x 5/8, Cup Point Screw	43589	3
16	Brake Spring	108	1
17	Tinners Rivet	43577	1
18	Handwheel	167	1
19	Retaining Ring	30577	1
20	Warning Label – Pinch Point	87130	1
21	Warning Label - Tipping	79979	1
22	Warning Label – Ganged	300168	1
23	3/8"-16 x 1-3/4" Screw	43332	4
24	1/4"-20 x 1-1/4" Socket Cap Screw	43416	1
25	3/8-16 x 5/8 Cone Point Screw	302429	1
N/A	Optional Speed Handle	87182	1

Please contact factory for current prices.

ORDERING INFORMATION

Parts are available for direct purchase from Dake or through a distributor. When placing a parts order, you will need to provide the part number, name of part, and model number. All parts shipped F.O.B. Factory in Grand Haven, MI.