













## MAINTENANCE

### LUBRICATION


- Keep all working parts of the press well-oiled for easier operation.
- Keep a light film of oil over the entire surface of the ram to prevent rust.

### REPLACING HYDRAULIC OIL

*Recommended to replace hydraulic oil every 6 months of machine use.*

*\*Amount needed may vary dependent on machine use\**

## TROUBLESHOOTING

 **When performing any maintenance make sure proper lockout procedure is followed. When disconnecting any parts of this machine be extremely careful that all parts are clean to prevent entrance of dirt in the hydraulic system.**

#### A. Oil leaks around the piston.

1. Oil above the Piston Seal or Leather: If rated stroke of the press is exceeded repeatedly by running the piston past rated stroke, bypass hole in the side of the cylinder run bypass line that connects above the piston leather. Eventually enough oil may accumulate so that when the piston is raised to the top of its stroke, oil is forced out between the piston and piston guide. This can be remedied by disconnecting the bypass tube line from the cylinder, then raising the piston slowly, about 2-1/2" less than it's rated stroke (rated stroke: 18") allowing the oil above the piston cap to overflow out the bypass hole into a clean bucket. Replace tube line. Oil may be put back into reservoir by removing the fill plug on the top of the reservoir.
2. Check Valve not Seated: On the first presses made with rapid advance the bypass oil was returned through a check valve at the bottom of the reservoir. This has been changed since so that the oil is returned to the top of the reservoir, above the oil level. Previously, if the check valve failed to seat properly when the press was operated at rapid advance speed oil was forced back through the bypass line causing leakage around the piston. These old-style rapid advance presses can be improved by relocating the check valve in the inspection cover so that the oil from the bypass line discharges above oil level.

#### B. Press does not hold pressure.

1. Loose tube Connection: Check all connections and tighten any loose tube nuts.
2. Dirt under Release Valve Ball: Remove release valve stem, packing nut, packing, and ball. Clean out valve seat. Reseat valve ball using a brass rod as a drift and hit with significant force 2-3 times to reset ball. Reassemble valve. If this occurs frequently the oil should be drained from the reservoir and the reservoir should be flushed out. Fill reservoir with clean oil.
3. Worn Leather Cup or Piston Seal: If neither of the previous conditions seem to be the cause of the press not holding pressure the trouble may be that the piston leather or T-ring & backers are worn out or damaged. To inspect remove lower platen and remove cap screws which bolt piston guide to the cylinder flange. Piston and guide may now be lifted out of the cylinder and inspected or replaced if necessary. Be careful not to damage the lip of the leather cup or T-ring as it enters the cylinder.

**C. Press does not develop rated tonnage.**

1. Dirt under Release Valve Ball: See section above.
2. Worn Leather Cup or Piston Seal: See section above.
3. Air pressure too low: If the air supply is less than 90PSI the pump may develop less than the rated tonnage.
4. Relief Valve set incorrect: When the press will not develop rated tonnage even though the air motor continues to pump. It may indicate that the oil is bypassing through the relief valve. The relief valve has been set at the factory to bypass oil back to the reservoir when press reaches rated tonnage. The load on the spring which governs the pressure at which the valve will bypass oil is adjusted by turning the threaded cap, Turning clockwise to increase the load on the spring or counterclockwise to decrease the load on the spring. After the valve is adjusted the cap is locked in place with a set screw, the relief valve not be tampered with after it is set to the capacity for the press.

**D. Nothing happens when pumps are operated.**

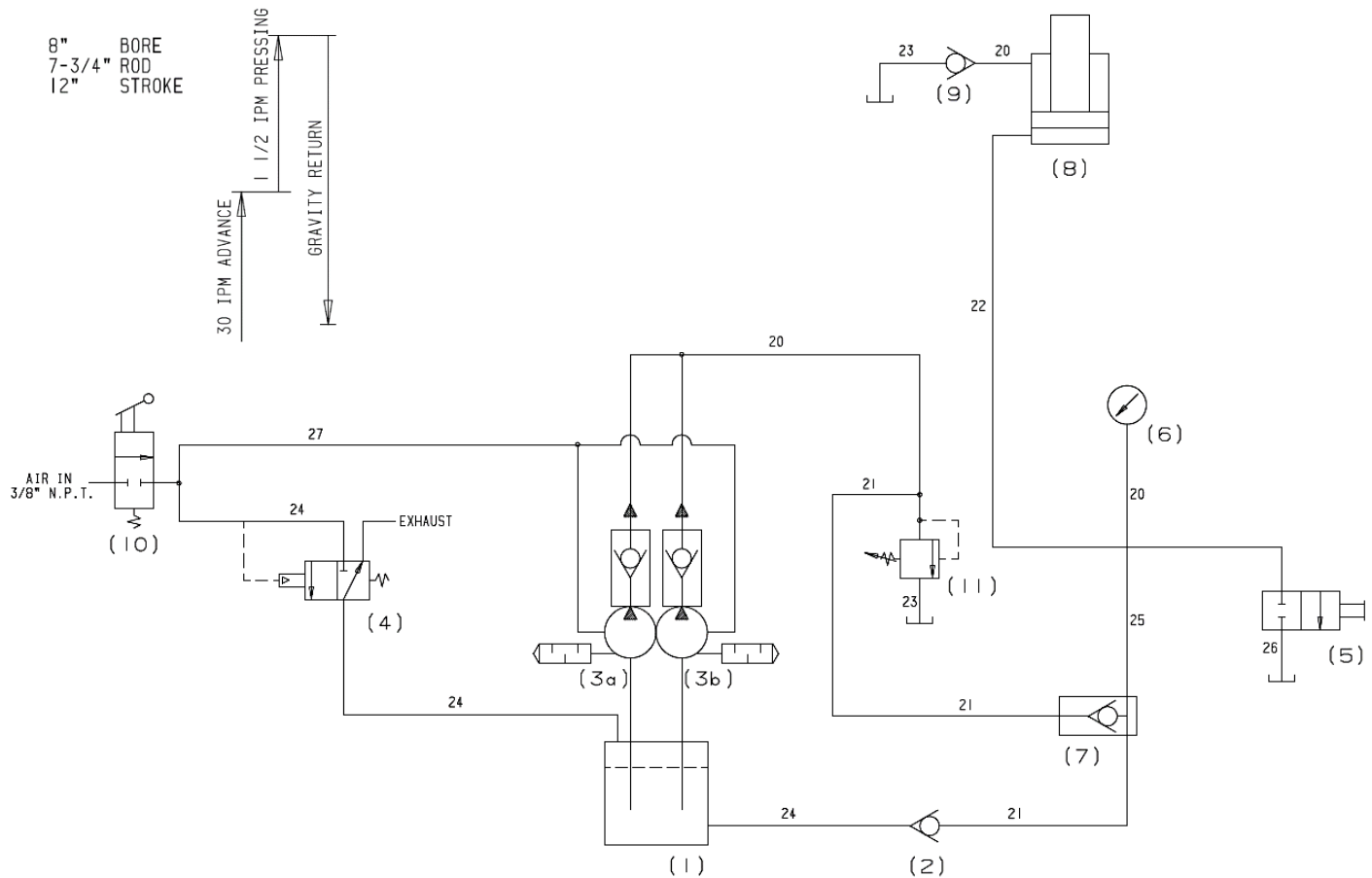
1. Release Valve is open: Be sure release valve is firmly closed.
2. Airline connected improperly: If air motors do not run when first time running the press check air line connections.
3. Insufficient oil: This is not a likely to be the issue on a tire press but if the press will only make a fraction of its rated stroke and no more, check the oil level in the reservoir. With the ram down the oil should be about 4" from the top of the reservoir.
4. Repaired Improperly: If press has had any maintenance in the past it is possible that a check valve spring or check ball got missed in the repairs.

**E. Press is too slow.**

1. Air pressure too low: If the airline is not large enough to travel a distance from the compressor it may result in a large pressure drop in the line while air is being used. Check for pressure drop by installing an air gauge near the inlet of the press.
2. Wrong oil: Oil that is too heavy will slow the pressing speed. DTE Mobil 24 or equivalent hydraulic oil



# HYDRAULIC DIAGRAM



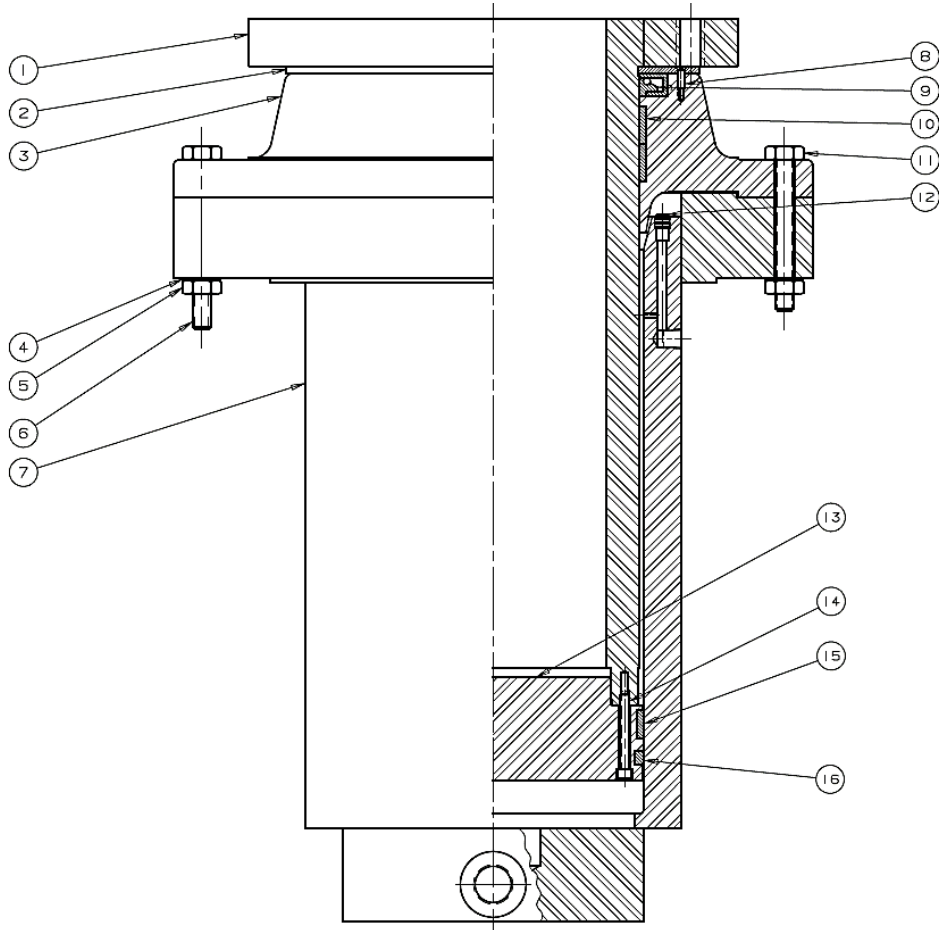
C.F.M. REQUIREMENT 25.0 MAX. NO LOAD

<b>Item</b>	<b>Part No.</b>	<b>Description</b>	<b>Qty</b>
1	1904P	Reservoir	1
2	700232	Check Valve	1
3	63453	Air Pumps	2
4	1911	Quick Exhaust Valve	1
5	710557	Release Valve	1
6	71268	Gauge	1
7	700147	Check Valve	1
8	707070A	Workhead	1
9	1841	Check Valve	1
10	1912	3-Way Valve	1
11	701350	Relief Valve	1

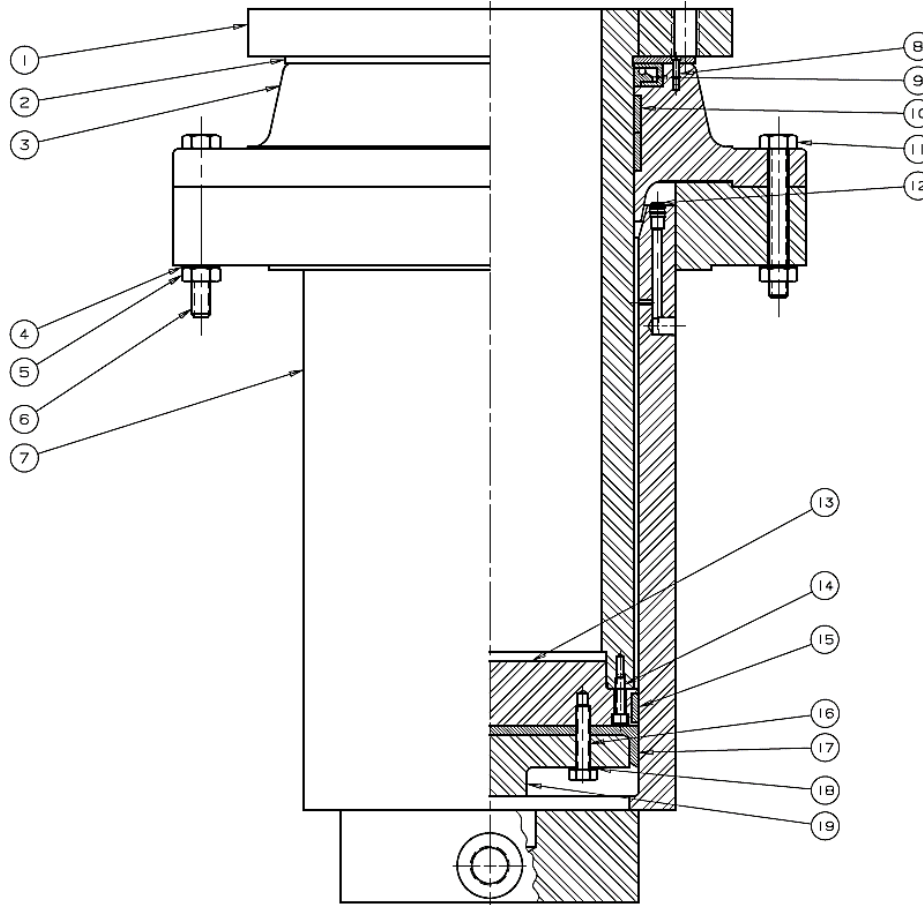
## EXPLODED VIEWS & PARTS LISTS

<u>Item</u>	<u>Part No.</u>	<u>Description</u>	<u>Qty</u>
	1551P	Base Angle	2
	700147	Check Valve Assembly	1
	700232	Check Valve Assembly	1
	583	Clamp, Cable (1/4" Cable)	4
	63565	Decal, Tire Press - Platens Must Not Be Loaded Off-Center	1
	58227	Fitting, Pipe, Straight (3/4" Male Pipe Nipple with Hex)	1
	58226	Fitting, Pipe, Straight (Nipple, 3/8 x 3/8 Male NPTF)	6
	58225	Fitting, Pipe, Straight 1/4 X 1/4 Male NPTF	1
	1252	Fitting, Tube, 37 Deg. (90 Deg. Elbow, 1/2 x 3/8 NPTF)	2
	1511	Fitting, Tube, 37 Deg. (Male Branch Tee, 3/8 x 1/4 NPTF)	1
	73425	Fitting, Tube, 37 Deg. (Straight, 3/8 x 3/8 NPTF)	1
	72047	Fitting, Tube, 37 Deg. (Swivel Nut Elbow, 3/8)	1
	1909P	Frame	1
	300168	Ganged Warning Label. Combined.	1
	71268	Gauge, 150 Ton Hand - 1/4" NPT Male Bottom	1
	701653	Hoist Crank Assembly, W/Bearing, 150 Ton, (Consists of Items: 387 Crank & 606 Handle)	1
	84487	Label, Caution. Table Pins Inserted before Pressing	1
	76462	Label, Lockout Procedure	1
	607	Label, Model Number	1
	24798	Label, Warning - Air Must be Moisture Free	1
	84399	Label, Warning - Keep Fingers Out of Pin Holes	1
	36863	Label, Warning , End of Stroke	1
	43647	Lock Washer (1/2)	2
	43648	Lock Washer (5/8)	4
	81003	Name Plate, Dake	1
	44194	Nipple, Pipe XS, (3/4 x 2-1/2)	1
	43919	Nut, Hex (3/4-10)	8
	43917	Nut, Hex (5/8-11)	4
	77271	Pin, Spring (3/8" x 2-1/2")	6
	7205P	Pin, Table	6
	596	Pipe Plug (1/2 NPTF)	1
	589	Pipe Plug (1/8 NPTF)	1
	1745	Pipe Plug (3/4)	1
	588	Pipe Plug (3/8 NPTF)	1
	1127	Pipe, Reducer Bushing (1/2 x 3/8 Hex)	1
	1798P	Platen, Lower	1
	1813P	Platen, Upper	1
	701825T01	Pressure Tube Assembly	1
	703770	Pressure Tube Assembly, Release Valve to Cylinder	1
	1563P	Pulley, 125 & 150 Ton	2
	1809P	Pulley, Cable	2
	63453	Pump, Air Driven	2
	710557	Release Valve Assembly,	1
	701350	Relief Valve Assembly,	1
	1904P	Reservoir	1

	1822P	Reservoir Cover	1
	43978	Ring, Retaining (3/4" Shaft Size)	6
	302816	Safety Pin for Table Pins	6
	43347	Screw (1/2-13 x 1)	6
	43365	Screw (5/8-11 x 1-3/4)	4
	43348	Screw , Hex Cap (1/2-13 x 1-1/4)	8
	70277	Screw, Drive (#4 x 5/16" Round Hd. Type U)	6
	43349	Screw, Hex Cap (1/2-13 x 1-1/2)	2
	43373	Screw, Hex Cap (3/4-10 x 2)	4
	24569	Screw, Soc Cap (3/4-10 x 3-1/4)	4
	1810P	Shaft, Cable Pulley	1
	1811P	Shaft, Cable Pulley	2
	1819P	Stop Block	4
	700111-S	Table Hoist Sub Assembly, Also need Hoist Crank Assembly 701653	1
	1553P	Table Spacer	4
	79957	Tag, Hook Air Line Here	1
	79956	Tag, No Oil in Reservoir	1
	713339T02	Tube Assembly	1
	713339T03	Tube Assembly	1
	713339T04	Tube Assembly	1
	713339T06	Tube Assembly	1
	701825T02	Tube Assembly, By-Pass	1
	1912	Valve, 3-Way Air	1
	1911	Valve, Quick Exhaust	1
	43649	Washer, Lock (3/4)	4
	707070A	Workhead Assembly	1

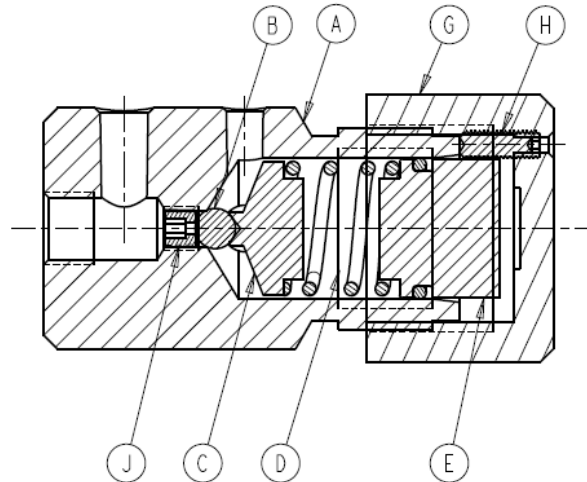


<b>707070A Workhead Assembly – New Style</b>			
<b>Item</b>	<b>Part No.</b>	<b>Description</b>	<b>Qty</b>
1	1796P	Piston	1
2	52478P	Retainer	3
3	31871	Guide, Piston	1
4	43647	Washer, Lock (1/2")	10
5	43419	Screw, Soc Cap (1/4-20 x 2)	4
6	43359	Screw, Hex Cap (1/2-13 x 4-1/2)	4
7	1793P	Cylinder	1
8	43817	Screw, Fl. Hd. Slot Mach. (#10-24 x 1/2)	3
9	1871	Oil Seal,	1
10	31400	Wear Ring	2
11	43358	Screw, Hex Cap (1/2-13 x 4)	6
12	589	Pipe Plug (1/8 NPTF)	2
13	87611P	Piston Cap	1
14	43916	Hex Nut, (1/2-13)	10
15	31399	Wear Ring	1
16	37052	1-T-ring, 2-backers	1
-	707070A	Workhead Assembly (Includes Items: 1-3, 5-16)	-
-	703922	Workhead Repair Kit (For 707070 & 707070A) Includes Items : 9, 10, 15 & 16.	-



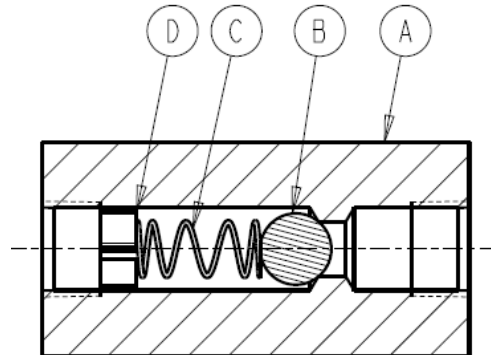
**707070 Workhead Assembly – Old Style**

<b>Item</b>	<b>Part No.</b>	<b>Description</b>	<b>Qty</b>
1	1796P	Piston	1
2	52478P	Retainer	3
3	31871	Guide, Piston	1
4	43647	Washer, Lock (1/2")	10
5	43916	Screw, Soc Cap (1/4-20 x 2)	10
6	43359	Screw, Hex Cap (1/2-13 x 4-1/2)	4
7	1793P	Cylinder	1
8	43817	Screw, Fl. Hd. Slot Mach. (#10-24 x 1/2)	3
9	1871	Oil Seal,	1
10	31400	Wear Ring	2
11	43358	Screw, Hex Cap (1/2-13 x 4)	6
12	589	Pipe Plug (1/8 NPTF)	2
13	30425P	Piston Cap	1
14	43417	Screw, Soc Cap (1/4-20 x 1-1/2)	4
15	31399	Wear Ring	1
16	43332	Screw (3/8-16 x 1-3/4)	8
17	1538	Piston Leather	1
18	43645	Washer, Lock (3/8")	8
19	1536	Ring, Supporting	1
N/A	1567	Pipe Plug (1/4 NPTF)	2
-	707070	Workhead Assembly (Includes all items above)	-
-	703922	Workhead Repair Kit (For 707070 & 707070A) Includes Items : 9, 10, 15 & 17.	-



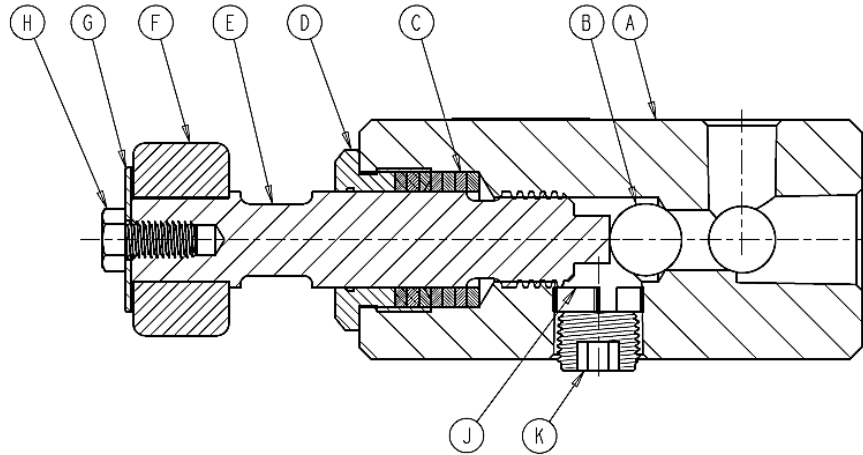
### 701350 Relief Valve Assembly

Item	Part No.	Description	Qty
A	1093P	Relief Valve Body	1
B	1222	Valve, Ball (5/16")	1
C	1094P	Retainer, Ball	1
D	1221	Spring, Valve Compressor	1
E	1095P	Retainer, Spring	1
F	1111	O-Ring, Unif 215 Buna	1
G	1096P	Relief Valve Cap	1
H	43548	Screw, Soc Set (#10-24 x 3/4, Cup Point)	1
J	1780P	Valve Seat	1
-	701350	Relief Valve Assembly – Includes all item above	-



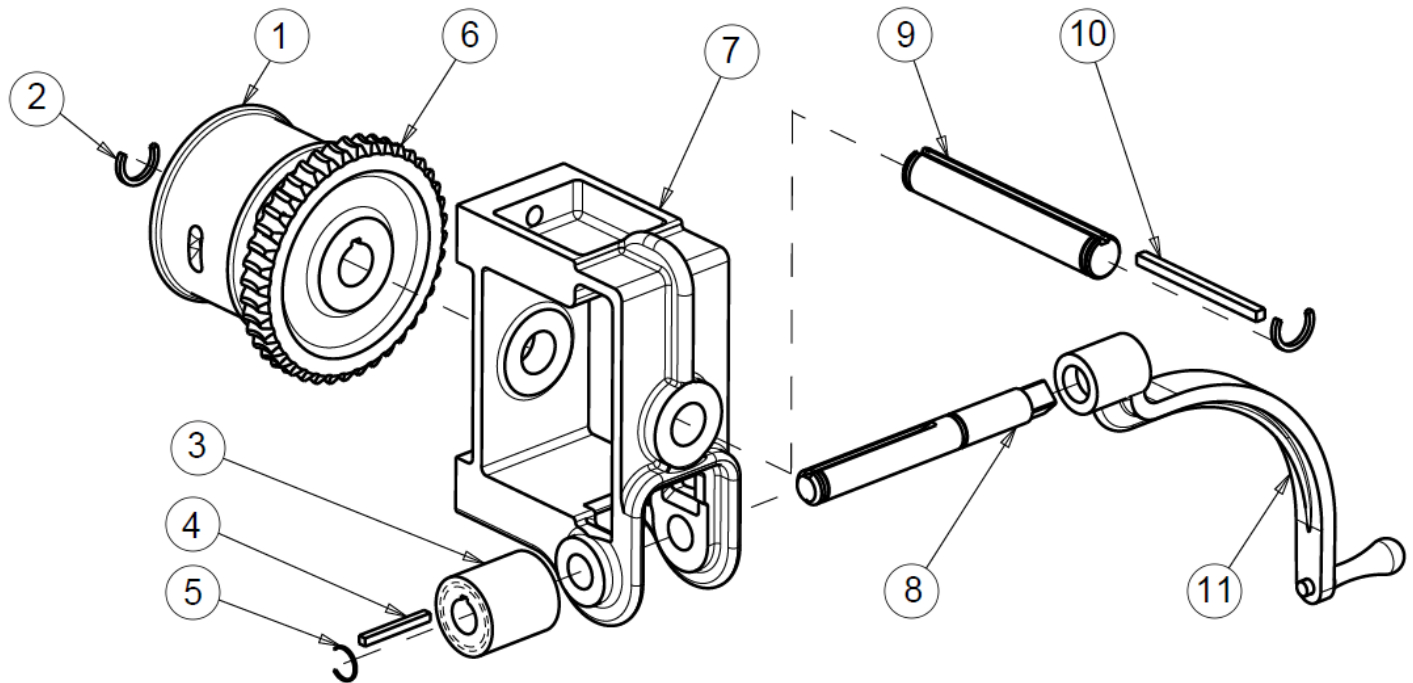
### 700232 Check Valve Assembly

Item	Part No.	Description	Qty
A	1825	Body, Check Valve	1
B	586	Valve, Ball (1/2")	1
C	890	Spring, Check Valve	1
D	1109	Retainer, Ball	1
-	700232	Check Valve Assembly - Includes all item above	-



<b>710557 Release Valve Assembly</b>			
<b>Item</b>	<b>Part No.</b>	<b>Description</b>	<b>Qty</b>
A	1752P	Release Valve Block	1
B	1936	Valve, Ball	1
C	1937	Washer, Valve Rod Packing	8
D	1931P	Packing Nut	1
E	47946P	Release Valve Rod	1
F	2230A	Handle, Release Valve	1
G	348	Spindle Washer (1-1/2" OD x .40" ID x 1/16 Thick)	1
H	43326	Hex Cap Screw (3/8-16 x 3/4)	1
J	1935	Ball, Retainer	1
K	596	Pipe Plug (1/2 NPTF)	1
-	710557	Release Valve Assembly – Includes all items above	-

## TABLE HOIST ASSEMBLY



<u>Item</u>	<u>Part No.</u>	<u>Description</u>	<u>Qty</u>
1	740	Cable Drum	1
2	43983	Ring, Retaining (1-1/4" Shaft Size)	2
3	744	Worm,	1
4	746	Worm Shaft Key (1/4 x 1/4 x 3-7/16)	1
5	43982	Ring, Retaining (1" Shaft Size)	2
6	743	Gear, Worm	1
7	739	Hoist Frame	1
8	742	Worm Shaft	1
9	741	Drum Shaft	1
10	745	Drum Shaft Key (5/16 x 5/16 x 4)	1
11	701653	Ratchet Handle Assembly	1
N/A	45954	Cable, 1/4 Dia.	19ft
-	700111-S	Hoist Assembly (Parts 1-10)	-

<b>701825T01 Pressure Tube Assembly</b>		
<u>Part No.</u>	<u>Description</u>	<u>Qty</u>
Part	Part Description	QTY
51456	Fitting, Tube, 37 Deg. (Inch Sleeve- SAE 14)	2
51455	Fitting, Tube, 37 Deg. (Nut, 7/8-37 Deg. Flare Style "B")	2
1943	Fitting, Tube, 37 Deg. (Straight, 7/8 x 3/4 NPTF)	2
45925	Tubing 7/8"x.120	12"



<b>701825T02 By-Pass Tube Assembly</b>		
<u>Part No.</u>	<u>Description</u>	<u>Qty</u>
Part	Part Description	QTY
1248	Fitting, Tube, 37 Deg. (90 Deg. Elbow, 3/8 x 1/4 NPTF)	1
1249	Fitting, Tube, 37 Deg. (Run Tee, 3/8 x 1/4 NPTF)	1
76221	Fitting, Tube, Nut	2
1102	Pipe, Reducer Bushing (3/8 x 1/4 Hex Steel)	1
45923	Tubing, 3/8"x.065	12"

<b>713339T03 Tube Assembly</b>		
<u>Part No.</u>	<u>Description</u>	<u>Qty</u>
Part	Part Description	QTY
1248	Fitting, Tube, 37 Deg. (90 Deg. Elbow, 3/8 x 1/4 NPTF)	1
51456	Fitting, Tube, 37 Deg. (Inch Sleeve- SAE 14)	2
51455	Fitting, Tube, 37 Deg. (Nut, 7/8-37 Deg. Flare Style "B")	2
45923	Tubing, 3/8"x.065	12"

<b>713339T04 Tube Assembly</b>		
<u>Part No.</u>	<u>Description</u>	<u>Qty</u>
1248	Fitting, Tube, 37 Deg. (90 Deg. Elbow, 3/8 x 1/4 NPTF)	1
51456	Fitting, Tube, 37 Deg. (Inch Sleeve- SAE 14)	2
51455	Fitting, Tube, 37 Deg. (Nut, 7/8-37 Deg. Flare Style "B")	2
1247	Fitting, Tube, 37 Deg. (Straight, 3/8 x 1/4 NPTF)	1
45923	Tubing, 3/8"x.065	12"

<b>713339T06 Tube Assembly</b>		
<u>Part No.</u>	<u>Description</u>	<u>Qty</u>
1251	Fitting, Tube, 37 Deg. (Straight, 1/2 x 3/8 NPTF)	2
46614	Nut, Flare (Nut, 1/2-37 Deg. Flare Style "B")	2
45924	Tubing 1/2"x.083	30"

<b>701825T02 By-Pass Tube Assembly</b>		
<u>Part No.</u>	<u>Description</u>	<u>Qty</u>
Part	Part Description	QTY
1330	Coupling, Pipe (1/4")	1
51456	Fitting, Tube, 37 Deg. (Inch Sleeve- SAE 14)	2
51455	Fitting, Tube, 37 Deg. (Nut, 7/8-37 Deg. Flare Style "B")	2
1247	Fitting, Tube, 37 Deg. (Straight, 3/8 x 1/4 NPTF)	2
45923	Tubing, 3/8"x.065	12"
1841	Valve, Check	1

## ORDERING INFORMATION

*Please contact factory for current prices.*

Parts are available for direct purchase from Dake or through a distributor. When placing a parts order, you will need to provide the part number, name of part, and model number. All parts shipped F.O.B. Factory in Grand Haven, MI.